

Introducing Waterway's **NEW Power Stream Swim Jet**... with a range of added features to improve performance and ease of installation!

# **POWER** **Stream** **Swim Jet**



## **FEATURES:**

- Through-wall jet installation
- 2" input for optimum performance
- 1" and 1.5" equiv. nozzle sizes
- Nozzles can easily be exchanged
- Sixteen Entraining ports for improved performance
- Four Glo ports for LED lighting
- ... and Made in America!

part #	description
210-0828S	Power Stream Swim Jet 1 3/8" Nozzle with Clear/Metal
210-0838S	Power Stream Swim Jet 1" Nozzle with Clear/Metal
672-9540	Distributor Manifold 2.5" Slip X (3) 2" Slips
672-8050	Wye Manifold 2.5" Slip X 2.5" Slip X 2.5" Slip



Waterway's two and three port distributor manifolds allow for easy plumbing of 4, 5 and 6 jet swim systems.

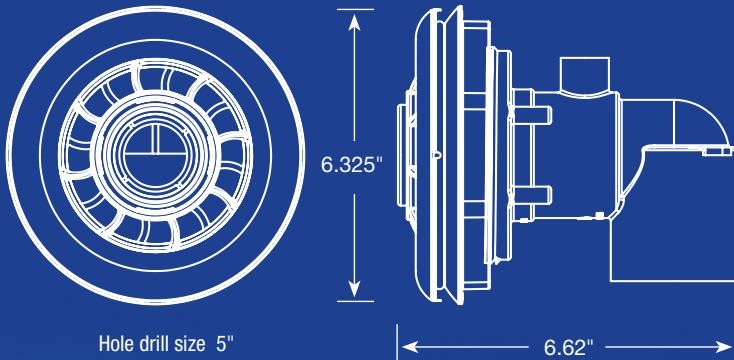


Designed, Engineered & Manufactured in the USA.

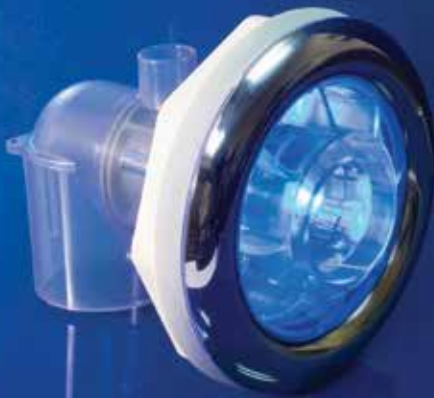
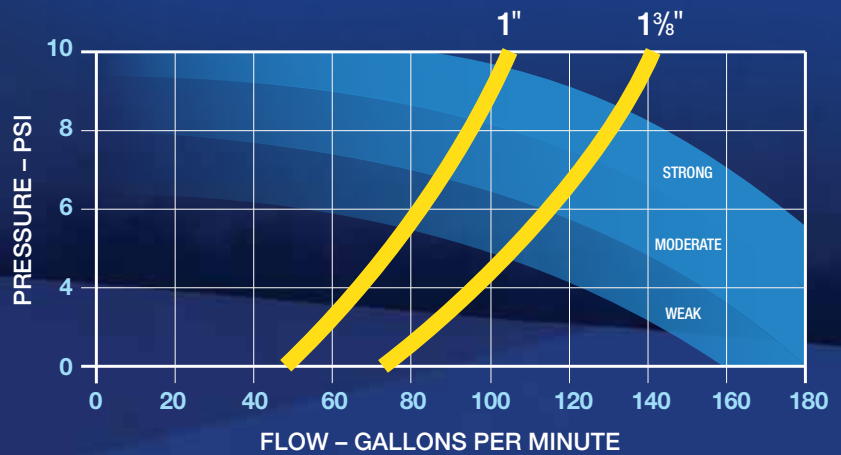


# POWER Stream Swim-Jet

The Power Stream Swim Jets allow for easy installation of a variety of different swim configurations. Shown is one example of a five jet swim system plumbed for a two pump system.



POWER STREAM JET FLOW CURVE



Designed, Engineered & Manufactured in the USA.

