

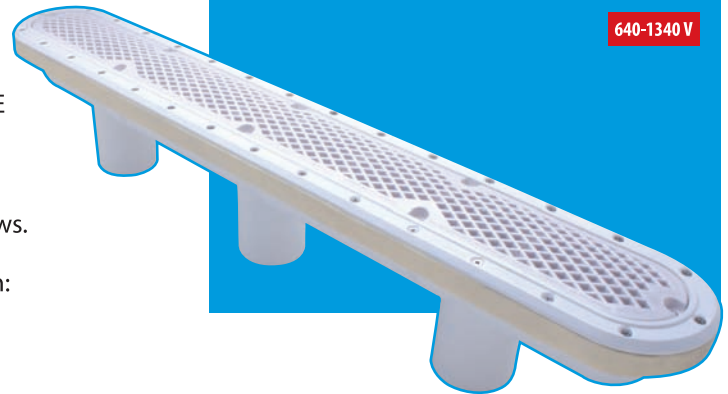


Vinyl Diamond Strip Drain

Waterway Vinyl Diamond Strip Drains are compliant with the Virginia Graeme-Baker Pool and Spa Safety Act (ASME A112.19.8-2007 and ASME A112.19.8a-2008) and are NSF Certified. They are designed for single or multiple drain use. This strip drain assembly includes grate, vinyl liner retainer plate, gasket, plugs, 3-port sump, cover, and stainless steel screws.

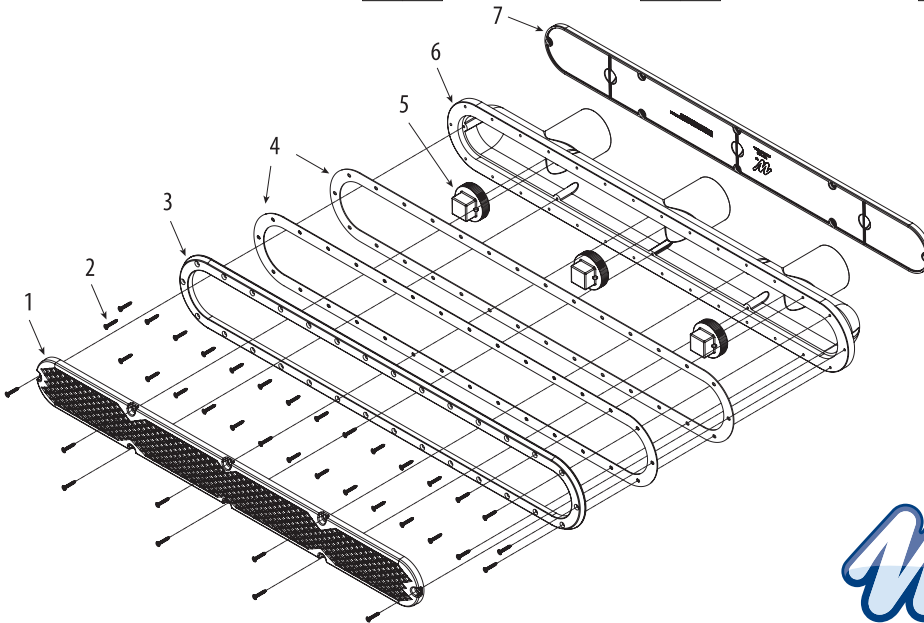
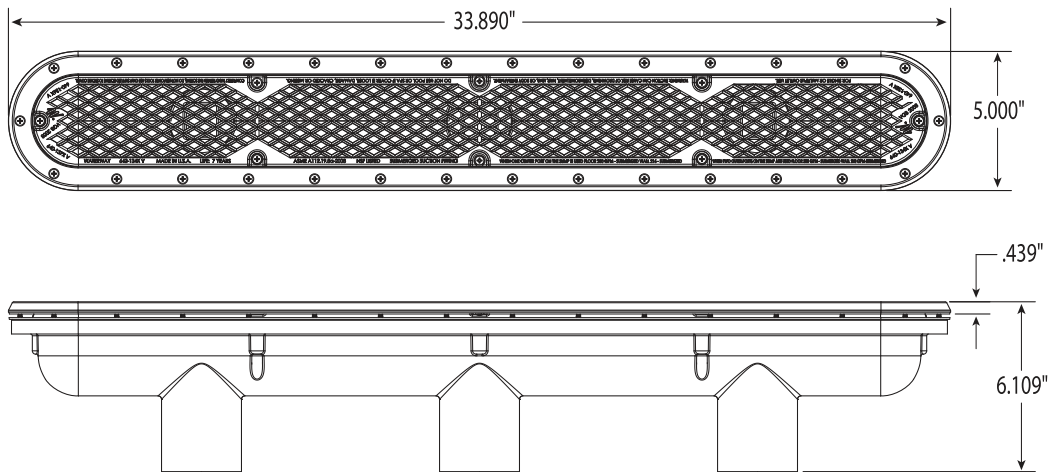
The Waterway 640-134x V series Vinyl Diamond Strip Drain is available in:

- White
- Gray



640-1340 V

Model No.	Description	Size	Total Open Area Square Inches	Floor Flow Rate GPM	Wall Flow Rate GPM	Flow Rate GPM @ 1.5 ft/sec
640-134x V	Vinyl Diamond Strip Drain	32"	24	280 @ 3.75 ft/sec (one port center)	216 @ 2.89 ft/sec (one port center)	110
640-134x V	Vinyl Diamond Strip Drain	32"	24	320 @ 4.29 ft/sec (two ports)	240 @ 3.22 ft/sec (two ports)	110



Item No.	Part No.	Description
1	642-134x V	32" Diamond Pattern Grate
2	819-1031	#8 x 1" Screw
3	642-1350	Vinyl Liner Retainer Plate
4	711-4470	Vinyl Liner Mounting Plate Gasket
5	715-9910	2" Pipe Plug
6	642-1300	32" 3-Port Vinyl Liner Sump
7	715-1360	32" Plaster Cover/Plug

