



**Designed for high volume,
low pressure systems...**

the ideal choice for swim spas.



The Viper pool and spa pump features a 90° rotating wet end for full versatility and is available in 2, 3 and 4 HP (Full Rated) models.

Waterway

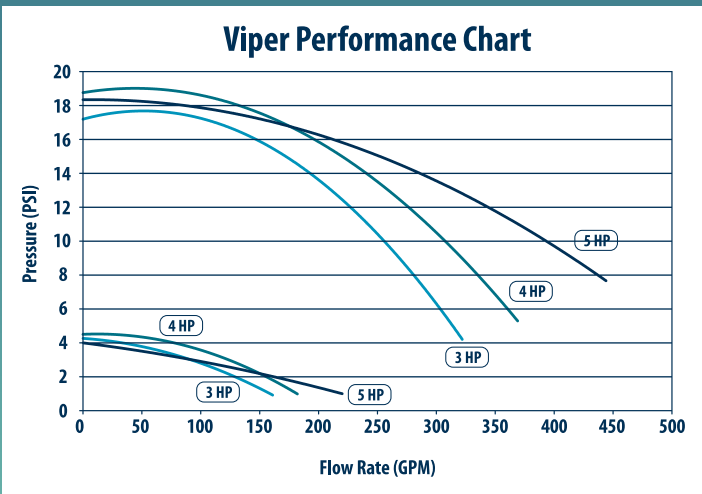
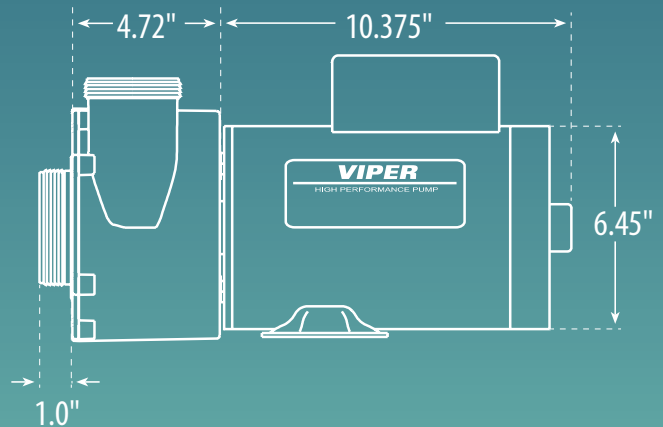
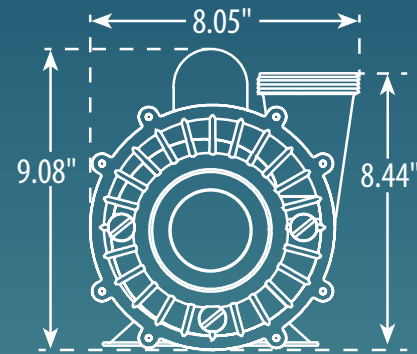


Designed,
Engineered &
Manufactured
in the USA.



Part No.	HP - Full Rate	HP	Volts	Amps - High Speed	Amps - Low Speed	Hz
3721221-1v	2	3	230	10	3.5	60
3721621-1v	3	4	230	12	4.4	60
3722021-1v	4	5	230	16.4	4.8	60

- Designed for low pressure, high volume systems
- Viper wet end designed specifically for 56-frame motors
- Large 8" diameter wet end allows for more volume
- Large 2 1/2" intake and discharge for improved flow performance and reduced noise
- Highly versatile wet end can be rotated every 90°
- 56-frame motor for added strength, cooler operating temperature and longer life
- Four sets of insulated windings for increased efficiency
- Two double shielded ball bearings with moisture resistant grease for quieter operation and longer life
- Split capacitor (start and run) for less energy consumption
- Thermally protected to extend life expectancy of motor
- Three year warranty on motor and wet end



2200 East Sturgis Road, Oxnard CA 93030
 Phone 805.981.0262 • Fax 805.981.9403
 waterway@waterwayplastics.com • www.waterwayplastics.com



Designed,
 Engineered &
 Manufactured
 in the USA.