

ClearWater™

High-Rate Sand Filters



Both Systems Include:

- 2 hoses: (1 ½" x 6 ft.)
- Hose fittings & clamps
- 3 ft. twist lock or 3 ft. NEMA plug
- Filter base
- Pump base
- Accessory base (optional)
- Barbed fittings for chlorinator

The Filter System (sand filter and pump) provides homeowners with everything they need to get their system up and running. It assures them of matched components and optimal performance for years of dependable service.

Features:

- High flow sand filter with easy twist-in laterals
- Superior spherical design as used on commercial sand filters
- Filter body is roto-molded for even wall thickness and extra strength, and is covered by a 3-year warranty
- Top of the line 2-speed or 1-speed Supreme pump
- Pump to filter and filter to pool connections are quick-disconnect union sweep fittings for easier maintenance and better performance
- (2) 1 ½" diameter hoses, with clamps
- 7-Position Multi-Port Valve
- Filter and pump mounting bases, and additional accessory base available for chlorinator and timer

Filter System with Supreme 2-Speed Pump

Part No.	Filter	Flow Rate	Pump	HP
FSS01610-3	FS016	35 GPM	PSP2100-3	1
FSS01910-3	FS019	45 GPM	PSP2100-3	1
FSS01915-3	FS019	45 GPM	PSP2150-3	1.5
FSS02210-3	FS022	55 GPM	PSP2100-3	1
FSS02215-3	FS022	55 GPM	PSP2150-3	1.5
FSS02615-3	FS026	70 GPM	PSP2150-3	1.5

3-foot cord, twist lock plug

Part No.	Filter	Flow Rate	Pump	HP
FSS01610-6	FS016	35 GPM	PSP2100-6	1
FSS01910-6	FS019	45 GPM	PSP2100-6	1
FSS01915-6	FS019	45 GPM	PSP2150-6	1.5
FSS02210-6	FS022	55 GPM	PSP2100-6	1
FSS02215-6	FS022	55 GPM	PSP2150-6	1.5
FSS02615-6	FS026	70 GPM	PSP2150-6	1.5

3-foot cord, 3-wire NEMA (regular) plug

Filter System with Supreme 1-Speed Pump

Part No.	Filter	Flow Rate	Pump	HP
FSS01610-3S	FS016	35 GPM	PSP2100-3	1
FSS01910-3S	FS019	45 GPM	PSP2100-3	1
FSS01915-3S	FS019	45 GPM	PSP2150-3	1.5
FSS02210-3S	FS022	55 GPM	PSP2100-3	1
FSS02215-3S	FS022	55 GPM	PSP2150-3	1.5
FSS02615-3S	FS026	70 GPM	PSP2150-3	1.5

3-foot cord, twist lock plug

Part No.	Filter	Flow Rate	Pump	HP
FSS01610-6S	FS016	35 GPM	PSP2100-6	1
FSS01910-6S	FS019	45 GPM	PSP2100-6	1
FSS01915-6S	FS019	45 GPM	PSP2150-6	1.5
FSS02210-6S	FS022	55 GPM	PSP2100-6	1
FSS02215-6S	FS022	55 GPM	PSP2150-6	1.5
FSS02615-6S	FS026	70 GPM	PSP2150-6	1.5

3-foot cord, 3-wire NEMA (regular) plug

ClearWater™

High-Rate Sand Filters

Performance Data

Model Number	Effective Filtration Area	Design Flow Rate	Turnover 6 Hours	(in gallons) 8 hours
FS016	1.55 sq. ft.	35 GPM	12,600	16,800
FS019	1.95 sq. ft.	45 GPM	16,200	21,600
FS022	2.5 sq. ft.	55 GPM	19,800	26,400
FS026	3.5 sq. ft.	70 GPM	25,200	33,600

Specifications

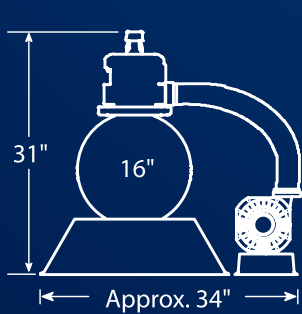
Filter Type:	High-Rate Sand: No. 20 Silica Sand
Filter Tank:	Molded Polymeric
Underdrain:	360° Self Cleaning Slotted Laterals Threaded for Ease of Maintenance
Control Valve:	7-Position, Top-Mount Multi-Port with Lever-Action Handle
Valve Fastening:	Flange Clamp Design
Pump and Motor:	Supreme Series Pump - 115 volts
Mounting Base:	Injection-Molded Thermoplastic

ClearWater Series Filters and Supreme Pumps are also available as individual units to custom design filtration requirements for new or existing pools. Choose the appropriate pump as well as system enhancing accessories, such as optional automatic pump timer and chlorine feeders.

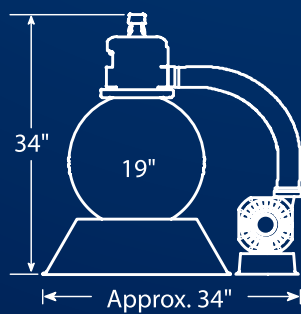
The Supreme Pump is the ultimate in above-ground pool engineering. Designed for today's more demanding applications, the Supreme Pump is ideal for DE, cartridge or sand filtration systems of any size.

Features:

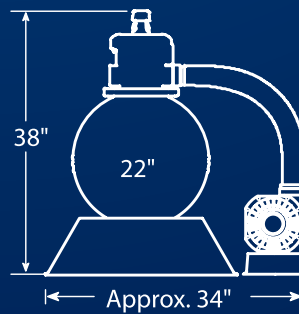
- 1 1/2" Union threads / 1 1/2" FPT Intake
- 2" Union threads / 1 1/2" FPT Discharge
- Extra large 7" pump trap with clear lid
- Powerful side discharge performance
- Wet end easily rotates



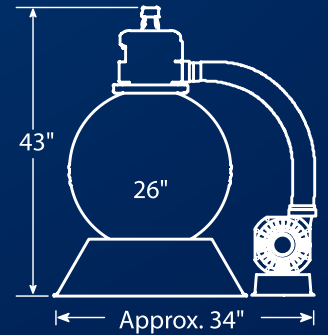
This economical system will provide crystal Carefree water with minimal maintenance for smaller above-ground pools.



A large system that is designed for most above ground pools



A high-powered, high-capacity system that will provide years of maintenance-free swimming pool filtration for larger above ground pools



The ultimate sand filter system for large above ground pools and small in-ground pools.

