

# ClearWaterVS CHLORINATOR

Advanced design **ClearWaterVS In-Line Automatic Chlorinator** creates tablet saturation when using **Variable Speed Pumps at all speeds.**



## FEATURES:

- Now with 100% Shut-off Valve
- Easy to read accurate control valve
- Large chamber body (White or Clear)
- Check Valve to prevent backflow into chlorinator
- 2" socket x 2.5" spigot (1.5" reducers included)
- Enclosed internal saturation tube – provides optimal flow across chlorine tablets
- Twelve (12) tablet capacity
- Available in White or Clear



**Extra large water intake** releases exactly the **right amount of chlorine** into your pool and spa with **low variable speed flow rates!**

**Waterway**

# ClearWaterVS

## CHLORINATOR



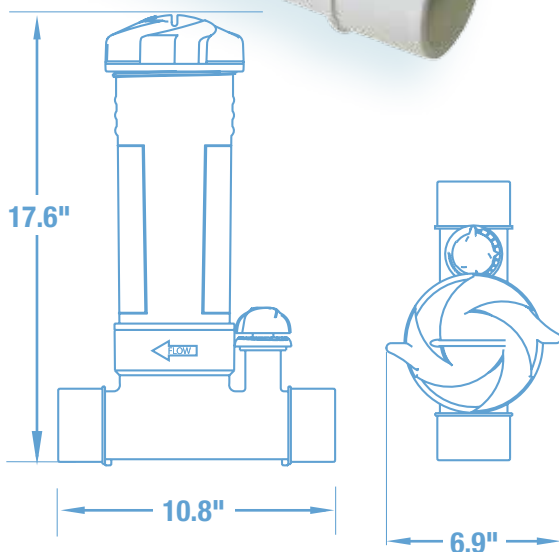
**The ClearWaterVS Chlorinator offers Two Body Styles:**

- 2" Socket x 2½" Spigot (1½" reducers included)
- 1½" FPT

### SPECIFICATIONS

| Part No.        | Description   | Color        | Wt. (lbs)  |
|-----------------|---|--------------|------------|
| <b>CLC012</b>   | <b>In-line - 12 Tablet Feeder - 2" Socket</b>   | <b>Clear</b> | <b>4 ½</b> |
| <b>CLC012-W</b> | <b>In-line - 12 Tablet Feeder - 2" Socket</b><br>(12 tablet wt 5.25 lbs)                    | <b>White</b> | <b>4 ½</b> |
| <b>CAG004-W</b> | <b>Above Ground Chlorinator</b><br>(fittings to install on Sand Filter Multi-Port included) |              |            |
| <b>400-3090</b> | <b>1½" S Union for In-Line</b>  |              |            |
| <b>400-5200</b> | <b>2" S Union for In-Line</b>   |              |            |
| <b>400-9820</b> | <b>Chlorinator Fitting - 1 1/2" MPT x 1 1/2" Buttress</b>                                   |              |            |

The clear style chlorinators will lose clarity over time, depending on type of chlorine, weather conditions and usage.



Designed  
Engineered  
Manufactured  
in the USA.



2200 E. Sturgis Rd., Oxnard CA 93030 • Phone 805.981.0262 • Fax 805.981.9403  
waterway@waterwayplastics.com • www.waterwayplastics.com