

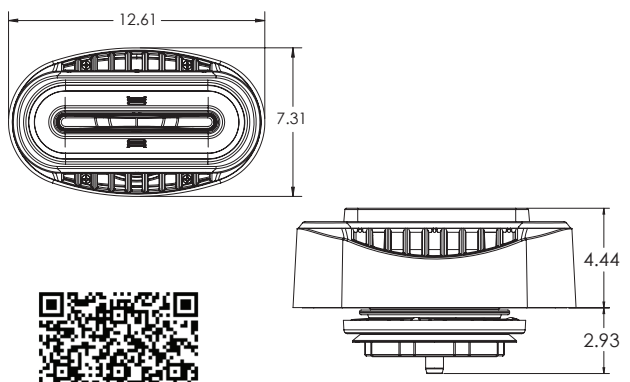

**Sure-Seal™
COLLECTION**

Load Washer Rip Current Swim Jet

Waterway proudly announces the release of our new Rip Current Swim Jet. This jet has all the great features and performance of its predecessor the “River Jet”, but has been redesigned to allow for easier installation. Utilizing the load washer technology, simply drill a 6" hole, insert the jet, and add the load washer ring and nut to complete the installation (no spot facing or silicone required).

Features:

- Super easy installation
- No routing required
- Available with stainless steel escutcheon
- Supports six LED lights
- Same performance as the River Jet
- Eyeball turrets up/down 20%
- Load washer technology



Scan QR Code for more info

Specifications:

- Up to 1,000 GPM at 13 PSI
- 8" wide eyeball
- XL 2 1/2" S water X 3/4" SB air
- Hole saw size: 6" dia.
- Tri-Seal torque: 50 ft/lbs

Mounting Made Easy

Part #	Description
210-5168	Load Washer Rip Current Swim System