

**Sure-Seal™**  
COLLECTION

# SGMS Ozone/Cluster Jets

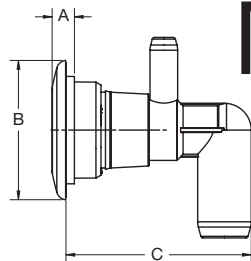
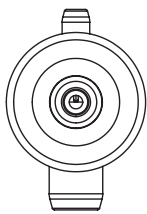
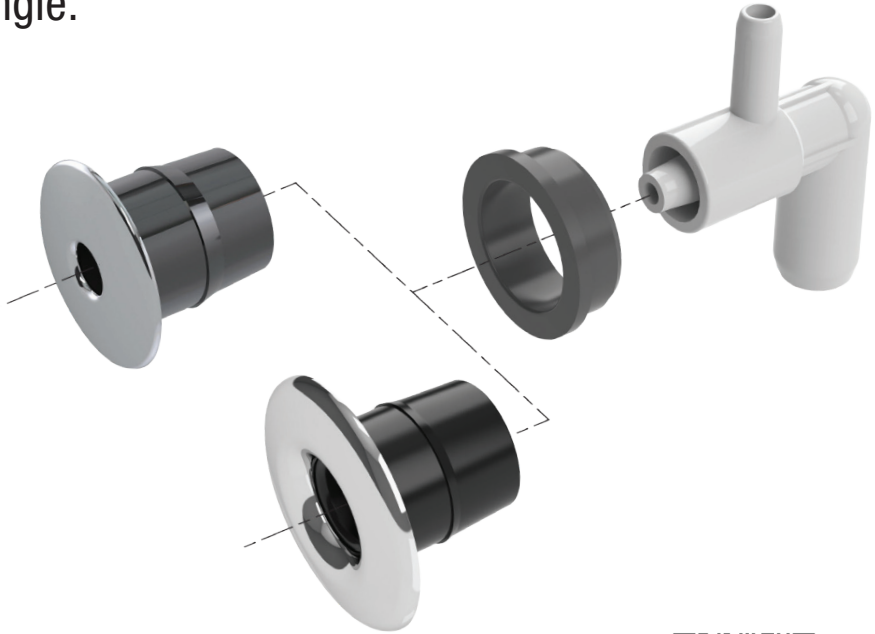
Waterway's new SGMS Ozone/Cluster Jets are designed for both lower cost and ease of installation. The two piece body/wall fitting assembly allows the body to be glued in at any angle.

### Features:

- Ultra-fast installation
- Two jet sizes available
- Wall fittings available in multiple colors or stainless steel
- Two piece body/wall fitting assembly

### Specifications:

- 1 5/8" & 2" wall fitting dia.
- Nozzle size – 0.200" dia.
- Flow rate – 5 GPM @ 12 PSI
- Grommet material – EPDM
- Hole saw size – 1 3/8"



Mounting  
Made  
Easy



Scan QR Code for more info

Part #	Description	A	B	C
670-2900	Ozone/Cluster SGMS Body, 3/8"SB x 3/4"SB w/ .200" Nozzle Assembly			
806-2200-EP	Ozone/Cluster SGMS Grommet			
215-2240	Ozone/Cluster SGMS Wall Fitting, 1 5/8" - DSG	.271"	01.625"	2.625"
215-2241S	Ozone/Cluster SGMS Wall Fitting, 1 11/16" w/Metal - Black	.271"	01.688"	2.625"
215-2250	Ozone/Cluster SGMS Wall Fitting, 2" - DSG	.33"	02.000"	2.75"
215-2251S	Ozone/Cluster SGMS Wall Fitting, 2 1/16" w/Metal - Black	.33"	02.062"	2.75"