



SGMS Ozone Return

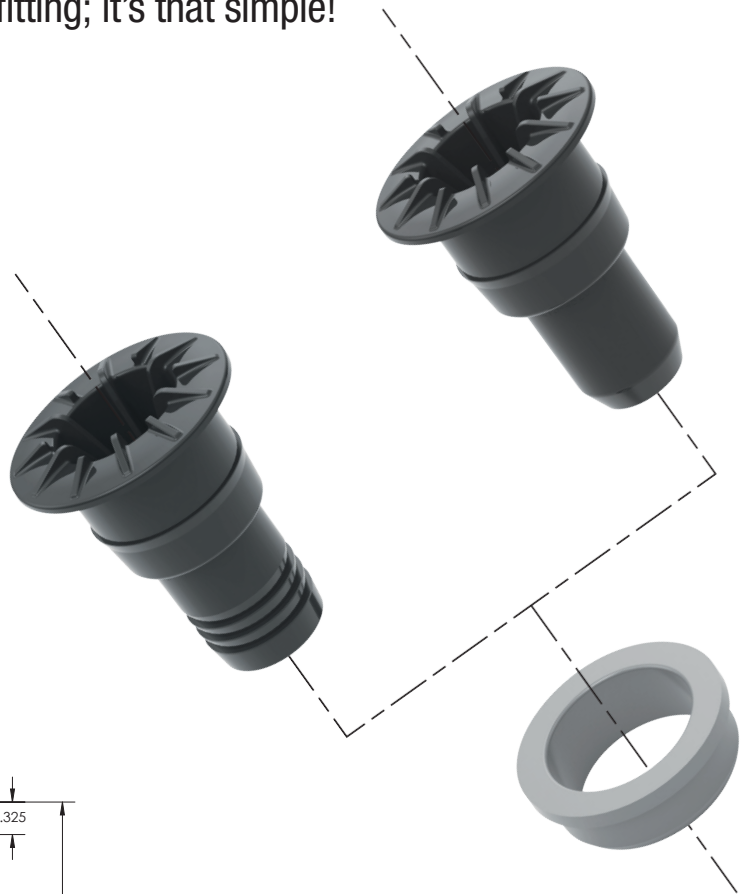
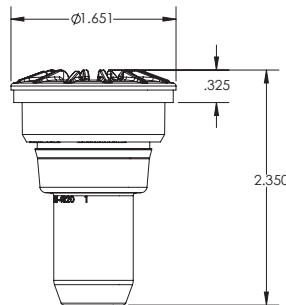
Waterway is now offering Ozone Return Fittings designed with the SGMS (Sure Grip Mounting System) technology. This process allows for faster installation without the need for back facing, use of silicone or torquing nuts. Simply drill the hole, install the grommet, add a little lubricant and press in the ozone return fitting; it's that simple!

Features:

- Easy to install SGMS technology
- Speeds up production time
- Available in smooth or ribbed barb
- Available in multiple colors

Specifications:

- 1 5/8" large return fitting
- 6 Ribs to diffuse water flow
- 16 GPM @ 5 PSI
- Nozzle diameter 0.590"
- Hole saw size – 1 3/8"
- EPDM SGMS grommet
- ABS return fitting



Mounting
Made
Easy



Scan QR Code for more info

Part #	Description
215-4820	SGMS Ozone Return Fitting, 3/4" Smooth Barb
215-4830	SGMS Ozone Return Fitting, 3/4" Ribbed Barb
806-2200-EP	SGMS Grommet, Ozone Return Fitting