

# INSTALLATION INSTRUCTIONS FOR NPT VAC-LOCK FITTING (600-220x-xxx)

READ AND FOLLOW ALL INSTRUCTIONS • SAVE THESE INSTRUCTIONS

## INSTALLATION FOR 1 ½" NPT FITTING

1. Thread the fitting into a 1 ½" NPT port in the pool wall. Make sure that you end with the cover spring as close to 12 o'clock as possible (see Figure 1A). **NOTE:** This fitting is designed for a threaded pipe connection only. Do not attempt to bond the fitting in place.
2. When the fitting is tight and the spring in the 12 o'clock position, tighten the set screw (included) to hold it in place (see Figure 1B).
3. Open the door with a key or coin. Insert the hose so that the grooves in the hose interlock with the tab on the Vac-Lock door (see Figure 1C). This will prevent the hose from squirting out of the fitting when the pump is stopped.

**⚠ WARNING: Pump suction is hazardous and can trap, drown and/or disembowel bathers. Do not use or operate swimming pools, spas or hot tubs if a suction outlet cover is missing, broken or loose.** Pool fittings must conform to International Association of Plumbing and Mechanical Officials (IAPMO) standards. Use only non-entraping suction fitting or double suction ports on pump suction lines.

**NOTE:** The installation of a Vac-Lock Fitting by closing off the suction line reduces the potential hazard caused by an open accessible source of suction.

**NOTE:** If any part of this fitting is broken, damaged, missing, or not working properly, replace the entire fitting. It is not designed to be repaired.

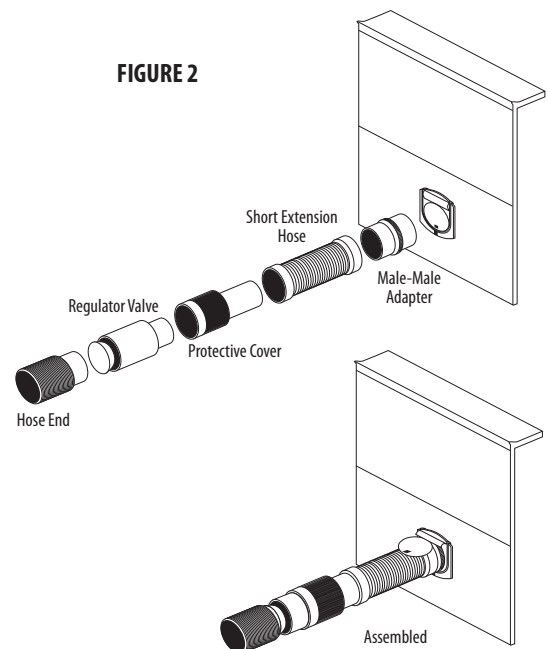
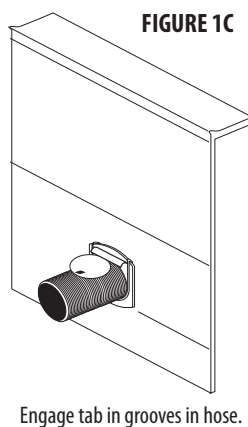
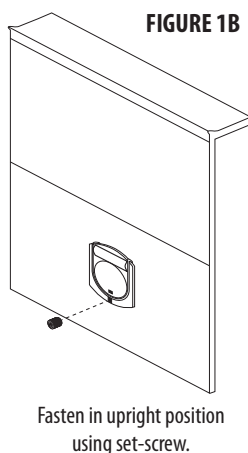
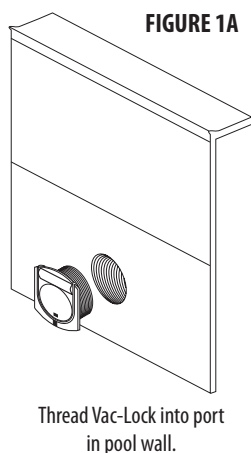
## IMPORTANT NOTES

- Only open the door when the pump/filter system is off. A key or coin is required. You will not be able to open the door when the pump/filter system is operating.
- The pump may activate (causing damage to the pump) if the hose is removed and the Vac-Lock is allowed to shut with no other suction sources open. Do not remove the hose from the Vac-Lock unless another source of suction is open.
- It is good practice to remove the Vac-Lock and plug the open port in the pool wall when closing the pool for the season.
- This fitting is NSF Listed to the IAPMO SPS4 Special Use Suction Fitting Standard.

**⚠ WARNING: Entrapment and injury hazard from spring-loaded door.** Allowing the Vac-Lock door to snap shut can trap hair or injure fingers. Keep hair and fingers clear of fitting when closing. Do not play with the fitting.

**⚠ WARNING: Risk of hair and/or body entrapment on end of suction hose.** Always install a vacuum regulator (vacuum relief valve) with protective cover in the short extension hose with the male-male adapter in the fitting when using the Vac-Lock as the only source of suction to the pool pump (see Figure 2). Never play with the hose.

**⚠ WARNING:** This is a special use fitting, NSF Listed to the IAPMO SPS4, and should not be used in lieu of a submerged suction fitting.



**Waterway**™

2200 East Sturgis Road, Oxnard, CA 93030 • Ph. (805) 981-0262 • Fax (805) 981-9403  
www.waterwayplastics.com • waterway@waterwayplastics.com