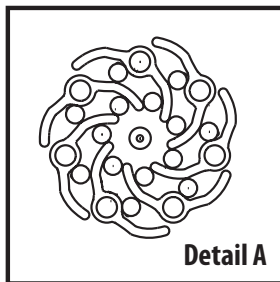
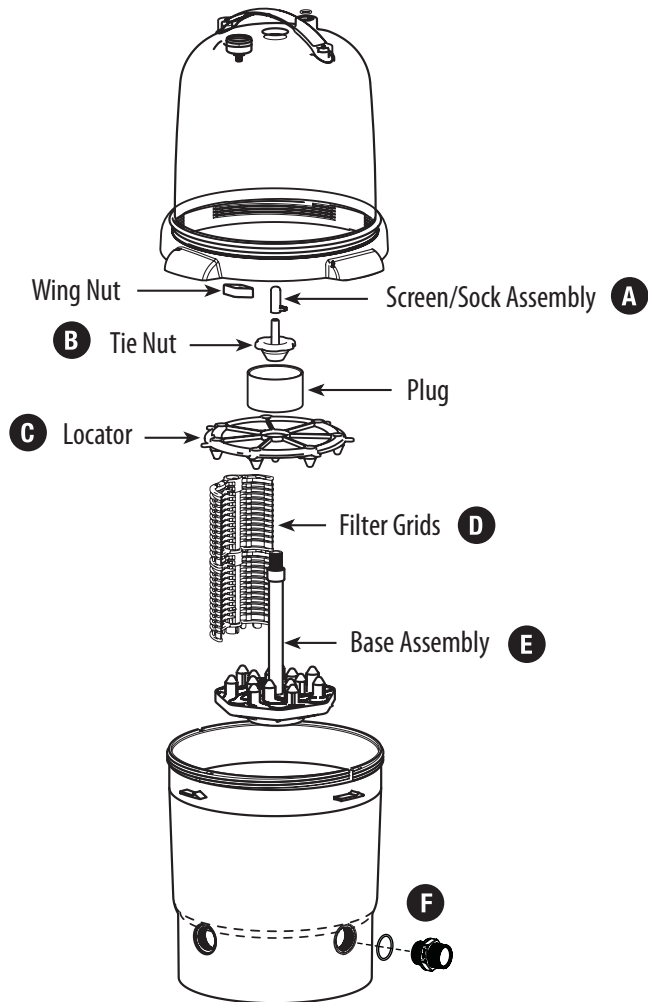


D.E. FILTER CLEANING INSTRUCTIONS



WARNING: NEVER ATTEMPT TO CLEAN FILTER WHILE PUMP IS RUNNING. This is a pressurized vessel. It could cause severe injury or harm to your person.



CLEANING INSTRUCTIONS

1. Remove the filter lid.
2. Remove filter drain cap (F).
3. Remove internal filter screen (A). Clean debris from inside of screen area.
4. Unthread tie nut (B). Lift and remove grid locator (C).
5. Gently remove all 7 filter grids (D). Rinse grids off using a low pressure water source.
6. Place clean filter grids (D) on Base Assembly (E). See Detail A for grid alignment on the collector (Top View).
7. Place grid locator (C), tie nut (B) and filter screen (A) in place.

START UP

1. Make sure filter lid is secured to filter bottom.
2. Replace filter drain cap. Open slice valves (if applicable). Open air relief valve.
3. Turn pump on. When a steady stream of water discharges, shut off the air relief valve.
4. You are now ready to add D.E. to your filter. Diatomaceous Earth (D.E.) is the filter media that will coat the filter grids.
5. **Minimum D.E. needed: Add at least 1 lb. of D.E. for each 10 sq. ft. of filter area: (suggested by Waterway)**

For FD12 models: 12 sq. ft. / 44 GPM = **1.2 lbs.**
For FD18 models: 18 sq. ft. / 67 GPM = **1.8 lbs.**
6. Mix the D.E. into a slurry in a pail and add it through the pool skimmer while the filter is running.
7. Your pool is now ready for your enjoyment!



Waterway™

2200 East Sturgis Road, Oxnard, CA 93030 • Ph. (805) 981-0262 • Fax (805) 981-9403

www.waterwayplastics.com • waterway@waterwayplastics.com