

# TWM SKIM FILTER INSTRUCTIONS

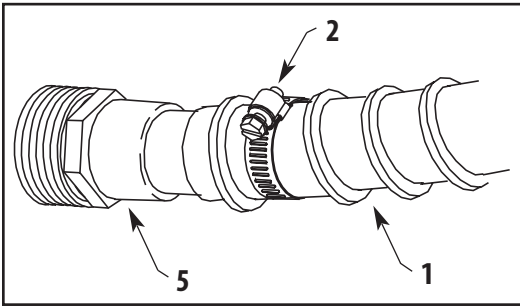
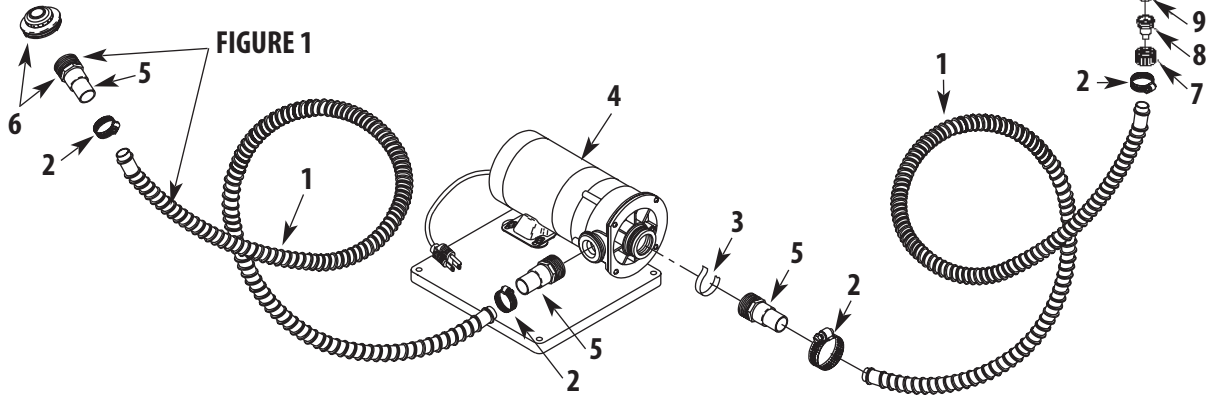
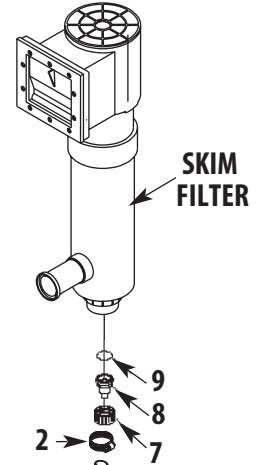


FIGURE 1

## TWM SKIM FILTER PARTS

Item	Qty.	Description
1	2	Flex Hose
2	4	Hose Clamp
3	1	Teflon Tape
4	1	Pump Base Assembly
5	3	1 1/2" MPT Hose Adapter
6	1	Return Fitting Assembly
7	1	1 1/2" Union Nut
8	1	1 1/2" Flange x 1 1/2" Hose Adapter
9	1	O-Ring



## ASSEMBLY INSTRUCTIONS

1. Remove pump, filter and parts from box.
2. Install skim filter to pool (see instructions inside skim filter box).
3. Apply Teflon plumbers tape to the four hose adapter threads. Thread into intake, discharge of pump, skim filter bottom, and return fitting.
4. Attach corrugated hose to pump/ filter using hose clamps to secure (see Figure 1).
5. Attach corrugated hose ends to pool skim filter and pool return, using hose clamps to secure (intake to skimmer, output to return).

## OPERATING INSTRUCTIONS

1. Inspect and secure all fittings and connections.
2. Bleed air out of filter by unscrewing bleed screw on top of filter lid, one complete turn.
3. Plug pump into a GFI (Ground Fault Indicator) Socket. **NOTE:** If the pump is running, but does not appear to be pumping water, continue to bleed air out of filter by unscrewing air bleed screw one turn.



2200 East Sturgis Road, Oxnard, CA 93030 • Ph. (805) 981-0262 • Fax (805) 981-9403

www.waterwayplastics.com • waterway@waterwayplastics.com