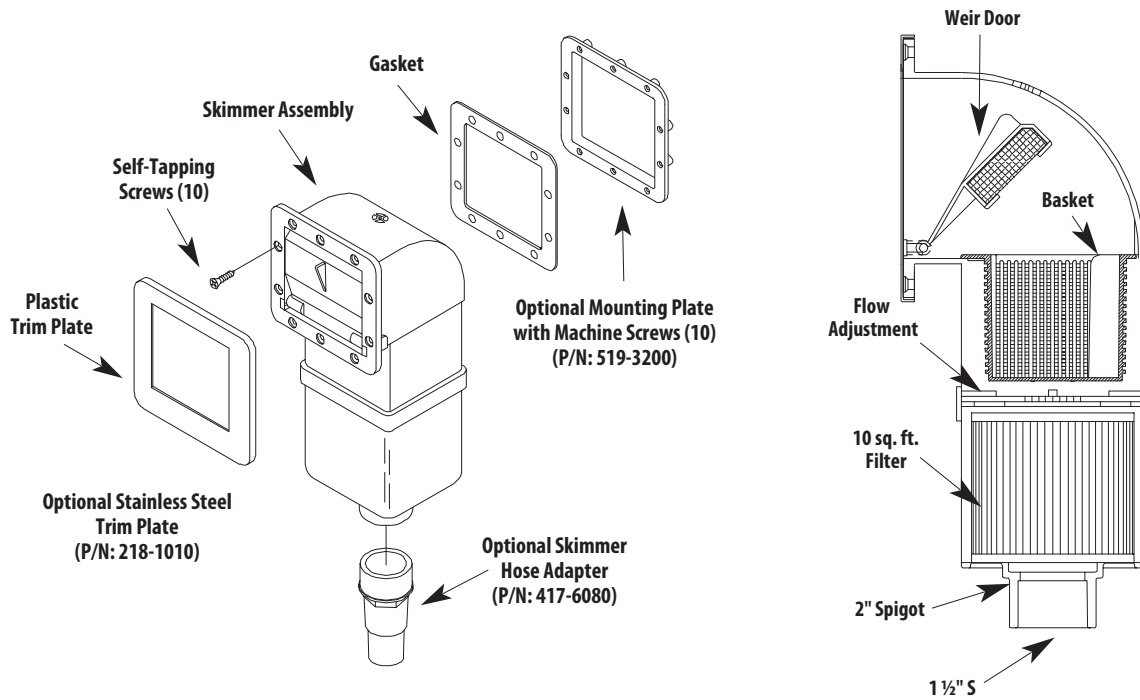
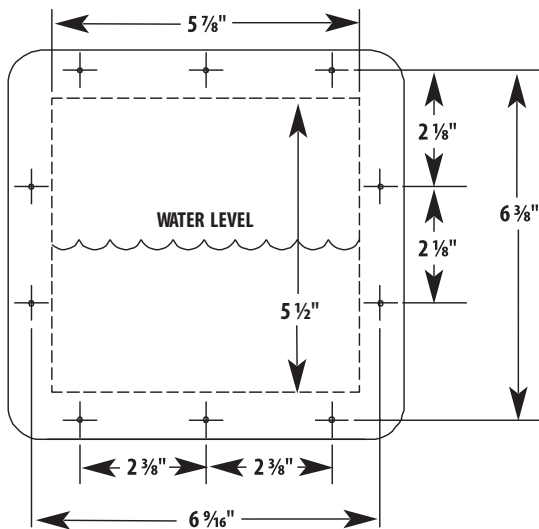


10 SQ. FT. SPA SKIM FILTER INSTALLATION INSTRUCTIONS



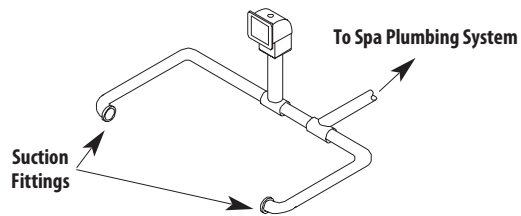
HOLE PATTERN DIMENSIONS HOLE PATTERN FOR MOUNTING SPA SKIMMER



Water level should be at mid-point of wall opening.

FLOW ADJUSTMENT

Remove basket. Turn diverter plate clockwise to increase flow. Turn counter clockwise to reduce flow.



2200 East Sturgis Road, Oxnard, CA 93030 • Ph. (805) 981-0262 • Fax (805) 981-9403
www.waterwayplastics.com • waterway@waterwayplastics.com