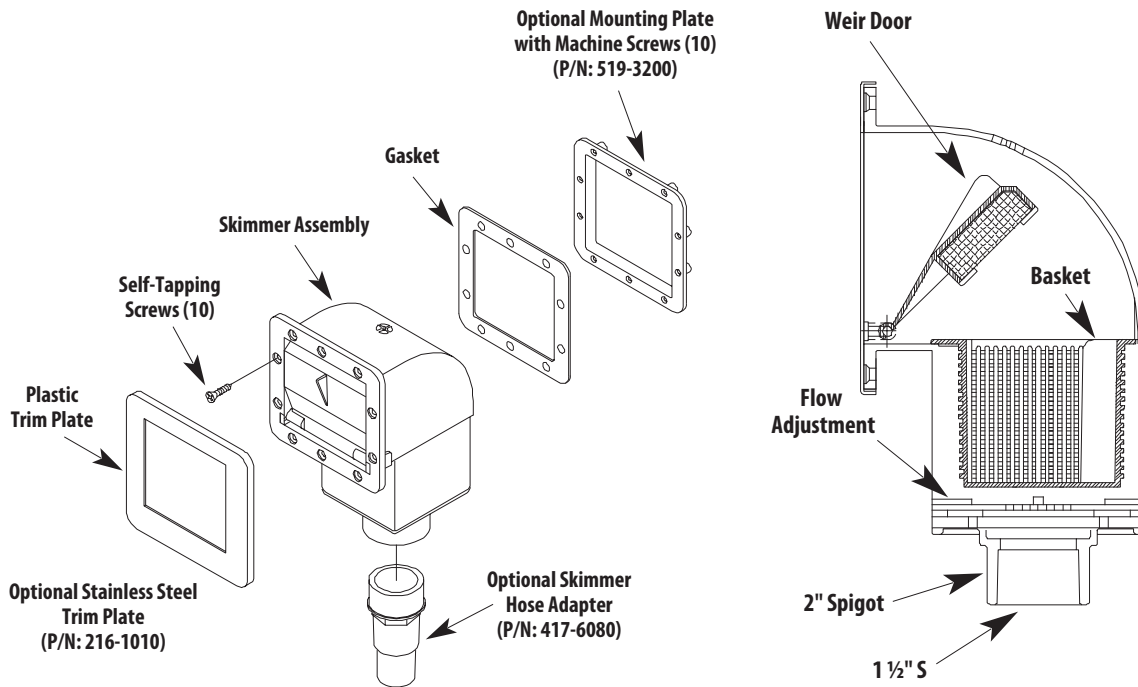
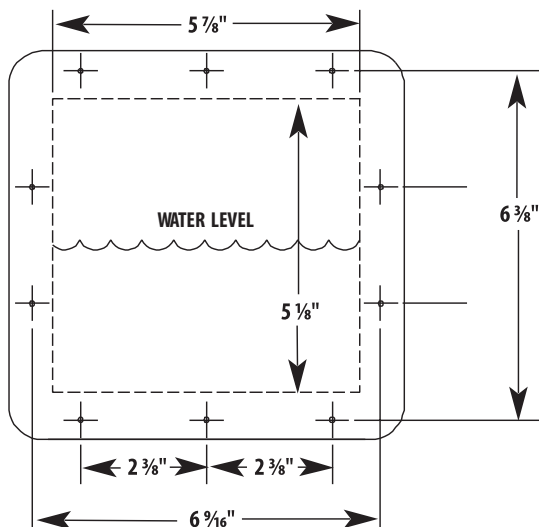


SPA SKIMMER INSTALLATION INSTRUCTIONS

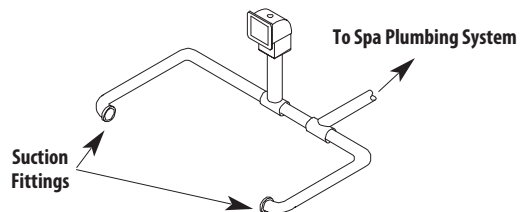
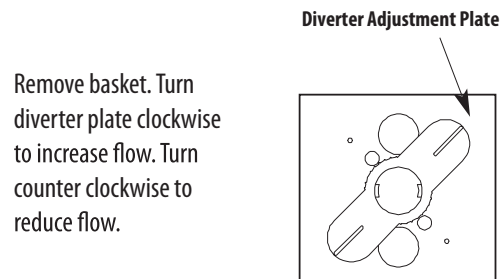


HOLE PATTERN DIMENSIONS HOLE PATTERN FOR MOUNTING SPA SKIMMER



Water level should be at mid-point of wall opening.

FLOW ADJUSTMENT



Waterway™

2200 East Sturgis Road, Oxnard, CA 93030 • Ph. (805) 981-0262 • Fax (805) 981-9403
www.waterwayplastics.com • waterway@waterwayplastics.com