



## Unions / Union Assemblies



### FEATURES:

- 100% CPVC
- 18 degree Swivel
- Includes O-Ring (Teflon tape or Teflon paste not needed)
- Can be installed on all 2" suction or discharge sides of pump.

400-4481-CPVC

### Swivel Union Assembly

Part No.	Description	Case Weight	Case Quantity	List (US \$)
<b>400-4481-CPVC</b>	Swivel Union Assembly - 2" S x 2" Spigot	34.56 lbs.	45	28.55



400-5090



400-3090



400-5200

### Self-Aligning Union Assemblies

Part No.	Description	Case Weight	Case Quantity	List (US \$)
<b>400-5090</b>	Self-Aligning Union Assembly - 2" S x 2" S	19 lbs.	40	13.30
<b>400-3090</b>	Self-Aligning Union Assembly - 1 1/2" S x 1 1/2" S	21 lbs.	40	11.59
<b>400-5200</b>	Self-Aligning Union Assembly - 1 1/2" S x 2" S	34.8 lbs.	80	12.60



400-3070



400-4160



400-5080

### Union Assemblies

Part No.	Description	Case Weight	Case Quantity	List (US \$)
<b>400-3070</b>	Barbed Union Hose Adapter - 1 1/2" NPT x 1 1/2" (includes cap for winterization)	10 lbs.	30	13.43
<b>400-4160</b>	Union Assembly #23 - 1 1/2" FPT x 1 1/2" S	10.47 lbs.	25	13.40
<b>400-5080</b>	Union Assembly - 2" S x 2" MPT	16 lbs.	30	15.79

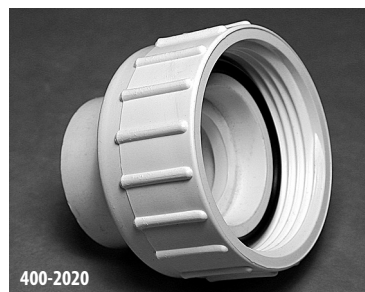


## Unions / Pump Union Assemblies



### 1" Pump Union Assemblies

Part No.	Description	Case Quantity	List (US \$)
<b>400-1940</b>	1" Union Nut with ¾" RB Tailpiece and O-Ring	25	4.33
<b>400-1990</b>	1" S Union Nut with 1" Slip Tailpiece and O-Ring	100	4.33



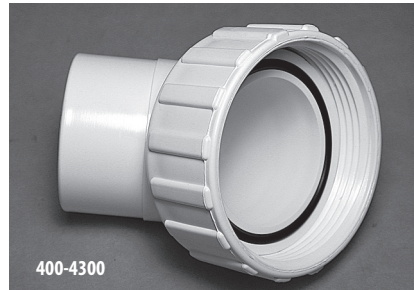
### 1 1/2" Pump Union Assemblies

Part No.	Description	Case Quantity	List (US \$)
<b>400-4060</b>	1 ½" Union Nut with 1 ½" S Tailpiece and O-Ring	100	5.20
<b>400-5640</b>	1 ½" Union Nut with 1 ½" S Tailpiece with Gasket	100	5.52
<b>400-2020</b>	1 ½" Union Nut with 1 ½" Spigot / 1" S Tailpiece and O-Ring	200	6.71
<b>400-2017</b>	1 ½" Union Nut with 50mm S Tailpiece and O-Ring	70	6.50
<b>400-4230</b>	1 ½" Union Nut with 1 ½" FPT Tailpiece and O-Ring	100	9.75
<b>400-4510</b>	1 ½" Union Nut with 1 ½" FPT Tailpiece and O-Ring with Gasket	200	10.06
<b>400-4240</b>	1 ½" Union Nut with 1 ½" Spigot Tailpiece and O-Ring	50	8.13
<b>400-9280</b>	1 ½" Union Nut with 1 ½" / 1 ¼" Hose Adapter and O-Ring	25	5.46

Unions



## Unions / Pump Union Assemblies



Unions

### 2" Pump Union Assemblies

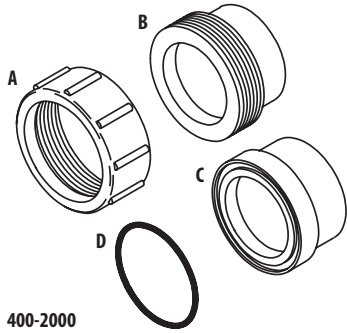
Part No.	Description	Case Quantity	List (US \$)
<b>400-5570</b>	2" Union Nut with 2" S Tailpiece and O-Ring	70	7.82
<b>400-5670</b>	2" Union Nut with 2" S Tailpiece and O-Ring with Gasket	70	8.13
<b>400-9240</b>	2" Union Nut with 1 1/2" Hose Adapter and O-Ring	30	11.25
<b>400-5800</b>	2" Union Nut with 2" Sweep Ell - 90° Tailpiece	40	10.12
<b>400-5660</b>	2" Union Nut with 1 1/2" FPT Nut Tailpiece and O-Ring	72	14.06
<b>400-4300</b>	2" Union Nut with 2" Spigot 45° Tailpiece and O-Ring	70	8.65
<b>400-9230</b>	2" Union Nut with 2" Spigot / 1 1/2" S Tailpiece and O-Ring	40	7.82
<b>400-5680</b>	2" Union Nut with 2" Spigot / 1 1/2" S Tailpiece and O-Ring with Gasket	140	8.13



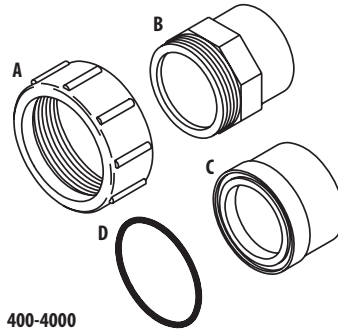
### 2 1/2" Pump Union Assemblies

Part No.	Description	Case Quantity	List (US \$)
<b>400-5990</b>	2 1/2" Union Nut with 2" S Tailpiece and O-Ring	50	11.02
<b>400-6010</b>	2 1/2" Union Nut with 2 1/2" S Tailpiece and O-Ring	36	11.02
<b>400-6021B</b>	2 1/2" Union Nut x 2 1/2" S - Black (2 included with SVL56 pump)	72	12.37
<b>400-5971B</b>	2 1/2" Union Nut x 2" S - Black (2 included with SVL56 pump)	72	12.37

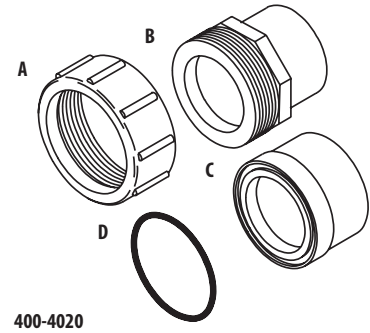
# Unions / Union Assemblies



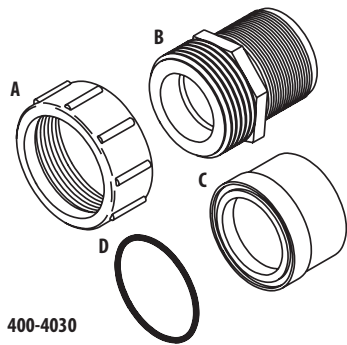
400-2000



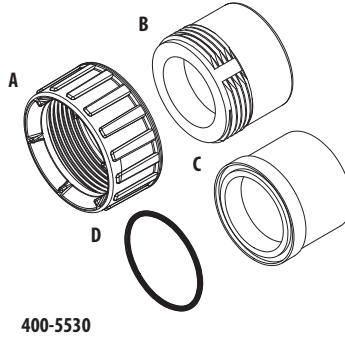
400-4000



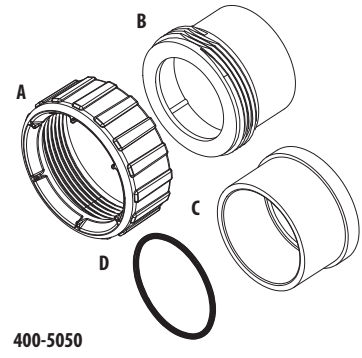
400-4020



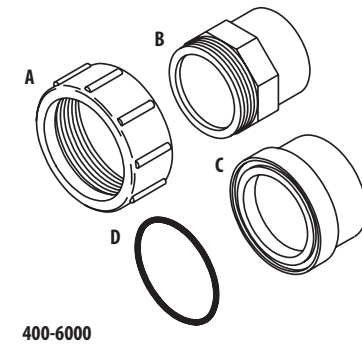
400-4030



400-5530



400-5050



400-6000

Unions

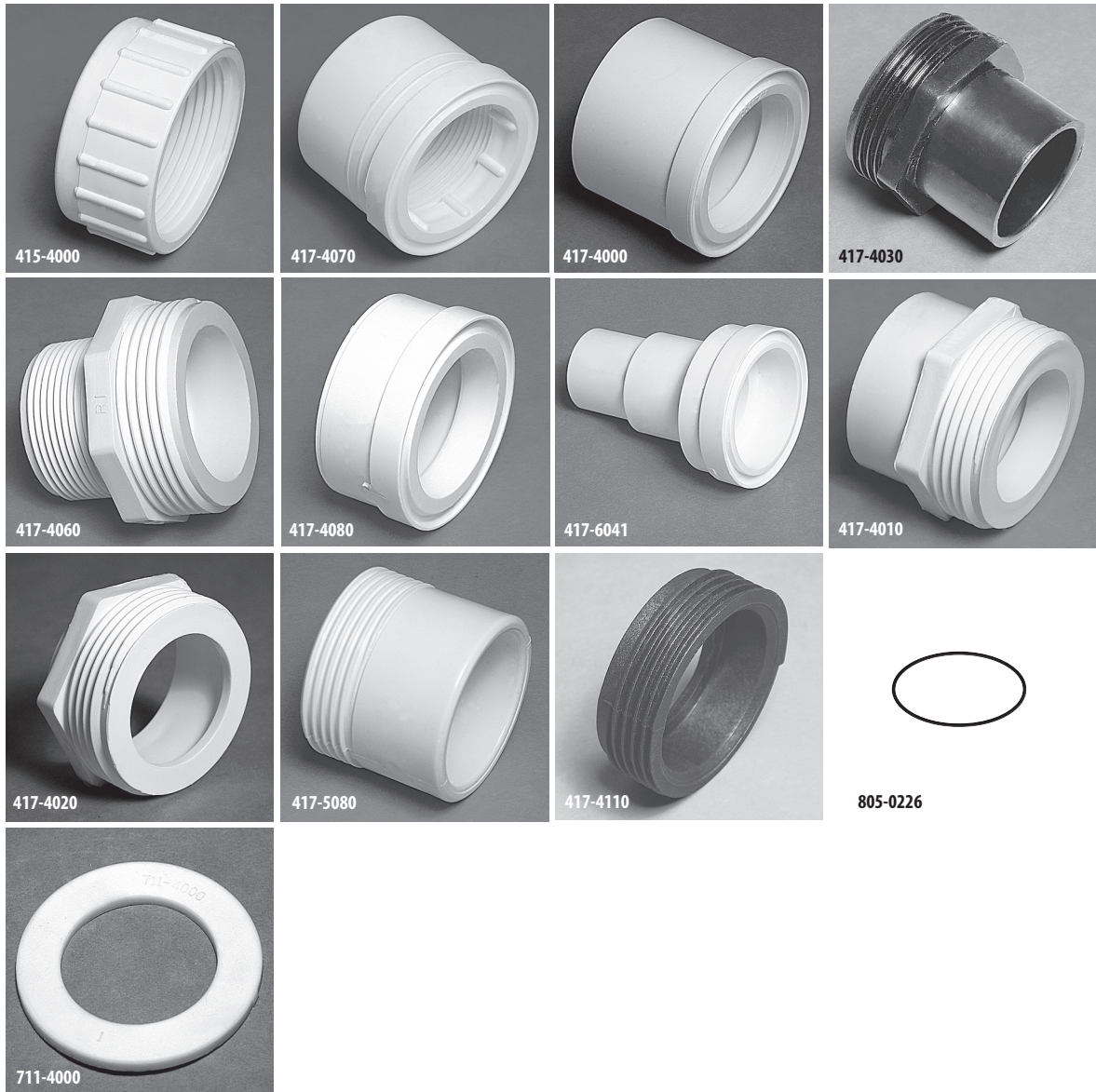
## Union Assemblies

Part No.	Description	Part A	Part B	Part C	Part D	Case Quantity	List (US \$)
<b>400-2000</b>	Union Assembly - 1" S x 1" S	415-2000	417-2010	417-2020	805-0123	60	8.36
<b>400-4000</b>	Union Assembly #1 - 1 1/2" S x 1 1/2" S	415-4000	417-4010	417-4000	805-0226	50	8.36
<b>400-4020</b>	Union Assembly #3 - 1 1/2" S x 1 1/2" Spigot	415-4000	417-4030	417-4000	805-0226	25	11.71
<b>400-4030</b>	Union Assembly - 1 1/2" MPT x 1 1/2" S	415-4000	417-4060	417-4000	805-0226	25	11.71
<b>400-5530</b>	Union Assembly - 2" Spigot / 1 1/2" S x 1 1/2" S	415-4000	417-4000	417-5080	805-0226	40	11.71
<b>400-5050</b>	Union Assembly #13 - 2" S x 2" S	415-5000	417-5040	417-5120	805-0229	25	11.75
<b>400-6000</b>	Union Assembly - 2 1/2" S x 2 1/2" S	415-6000	417-6010	417-6000	805-0232	36	13.40

Standard color is white. All fittings meet or exceed A.S.T.M. Schedule 40 standards.



## Unions / 1 1/2" Union Components



### 1 1/2" Union Components

Part No.	Description	Case Quantity	List (US \$)
<b>415-4000</b>	1 1/2" Union Nut	250	2.56
<b>417-4070</b>	1 1/2" Flange x 1 1/2" FPT Tailpiece	100	2.56
<b>417-4000</b>	1 1/2" Flange x 1 1/2" S Tailpiece	300	2.85
<b>417-5500</b>	1 1/2" Flange x 50mm S Tailpiece	100	2.56
<b>417-4100</b>	1 1/2" Flange x 1 1/2" Spigot	75	4.92
<b>417-4030</b>	1 1/2" Buttress Thread x 1 1/2" Spigot Tailpiece	230	2.56
<b>417-4060</b>	1 1/2" Buttress Thread x 1 1/2" MPT Tailpiece	230	2.67
<b>417-4080</b>	1 1/2" Flange x 1 1/2" S Tailpiece - Short	150	2.31
<b>417-6041</b>	1 1/2" Flange x 1 1/2" / 1 1/4" Hose Adapter Fitting	75	2.24
<b>417-4010</b>	1 1/2" Buttress Thread x 1 1/2" S Tailpiece	250	2.86
<b>417-4020</b>	1 1/2" Buttress Thread x 1 1/2" S - Short	50	2.86
<b>417-5080</b>	1 1/2" Buttress Thread x 1 1/2" S x 2" Spigot Tailpiece	75	3.34
<b>417-4110</b>	1 1/2" Buttress x 1 1/2" S - Short	150	4.48
<b>711-4000</b>	1 1/2" Union Gasket	500	0.64
<b>805-0226</b>	O-Ring - 1 1/2" Tailpiece	100	0.62



## Unions / 2" & 2 1/2" Union Components



415-5000



417-5120



417-5020



417-6030



417-5260



417-4220



417-5040



417-6010



415-6000



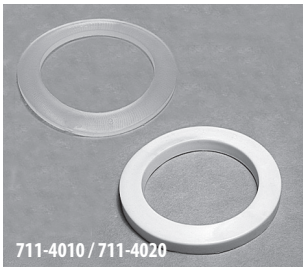
417-6000



805-0145



805-0232



711-4010 / 711-4020

### 2" and 2 1/2" Union Components

Part No.	Description	Case Quantity	List (US \$)
415-5000	2" Union Nut	180	3.89
417-5120	2" Flange x 2" S Tailpiece	50	4.06
417-5020	2" Flange x 2" Spigot / 1 1/2" S Tailpiece	100	4.52
417-6050	2" Flange x 1 1/2" / 1 1/4" Hose Adapter Fitting	200	3.75
417-6030	2" Flange x 1 1/2" Hose Adapter Fitting	25	3.44
417-5260	2" Buttress Thread x 2" Spigot / 1 1/2" S Tailpiece	160	4.52
417-4220	2" Flange x 2" MPT	50	7.93
417-5090	2" Flange Thread x 1 1/2" MPT Tailpiece	25	4.52
417-5040	2" Buttress Thread x 2" S Tailpiece	150	3.15
805-0145	O-Ring – 2" Heater Tailpiece	100	0.62
805-0229	2" Pump Union (thick) O-ring	100	0.73
711-4010	2" Flat Union Gasket	500	1.43
711-4020	2" x 1/4" Thick Union Gasket	500	1.35
711-4030	2" Ribbed O-ring Union Gasket	500	0.81
415-6000	2 1/2" Union Nut	50	7.54
417-6000	2 1/2" Flange x 2 1/2" Socket	50	4.82
417-5970	2 1/2" Flange x 2" Socket	50	4.52
417-6010	2 1/2" Buttress Thread x 2 1/2" Socket	100	5.19
805-0232	O-Ring – 2 1/2" Heater Tailpiece	100	1.34

