

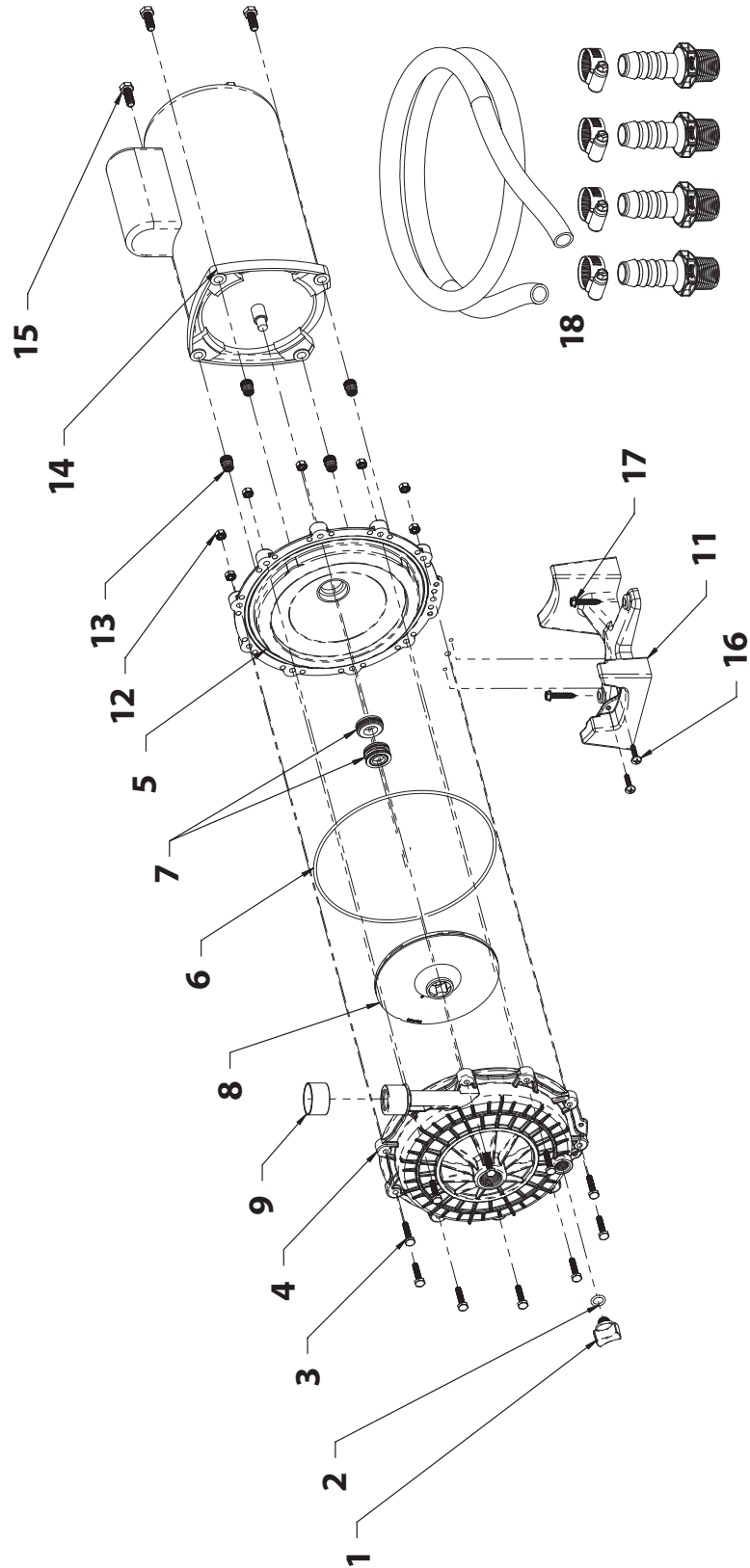


Replacement Parts

2019



Replacement Parts / **Booster Pump**



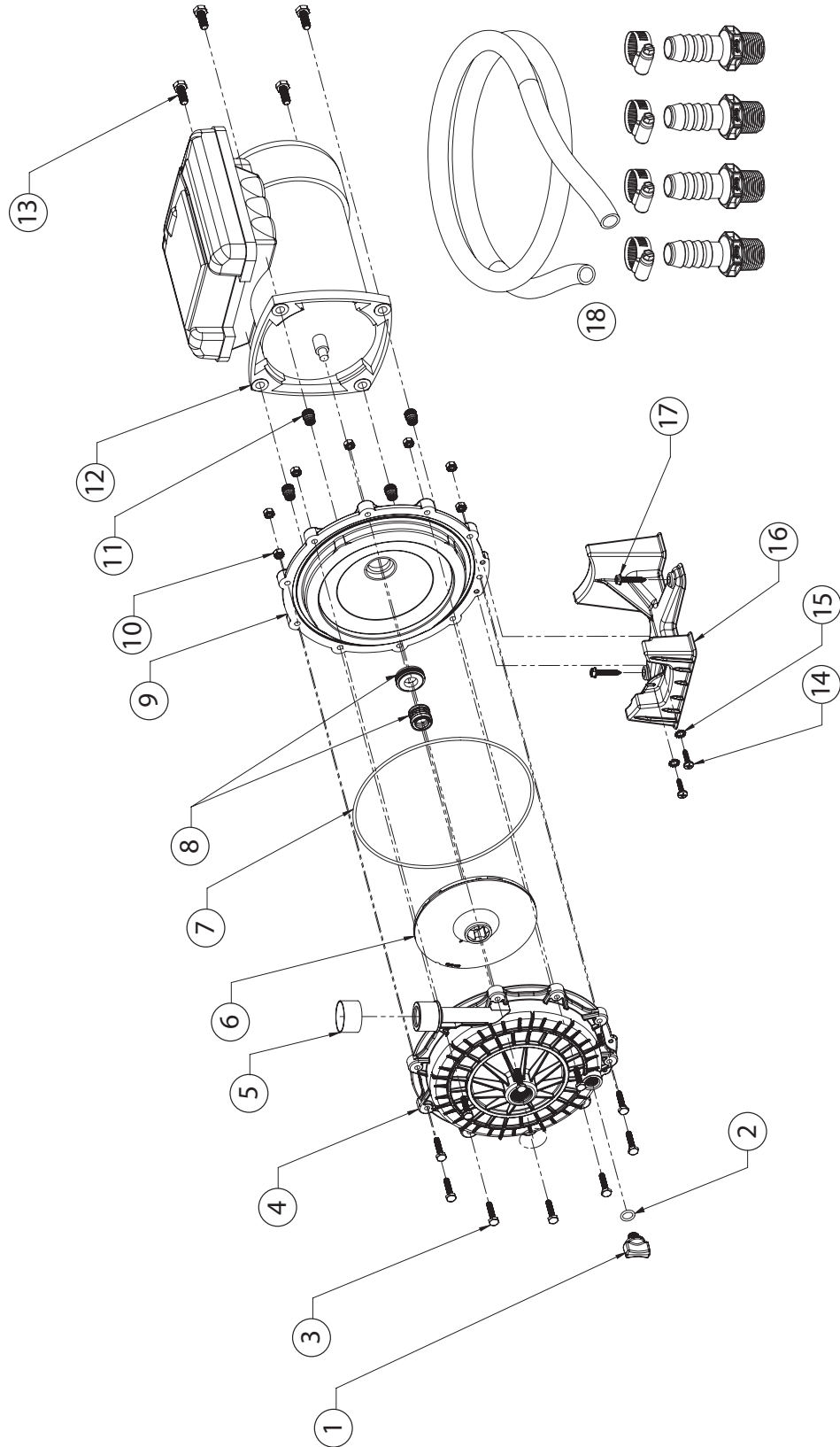


Booster Pump Replacement Parts			
Item	Part No.	Description	List (US \$)
1	715-8400B	Drain Plug 3/8" Booster Pump	8.80
2	805-0112B	O-Ring, #2-112, .487 I.D. X .103 W	1.41
3	819-2590B	Bolt, Hex Hd, 1/4"-20 UNC X 1-1/8" LG SS (19)	2.19
4	315-8300B	Volute Booster Pump	132.67
5	311-8300B	Seal Plate Booster Pump	**
6	805-0268B	O Ring #268 (2)	7.66
7	319-3290B	Pump Seal Set (811-4020A, 811-4020B)	28.03
8	310-8400B	3/4 HP Impeller Booster Pump Brass Impeller Insert, 1/2"-20 UNC-2B X 1"	73.59
9	872-6200B	Sleeve 1 1/2" X .049 Wall SS304	9.77
11	672-1380B	Motor Mount, Booster Pump	**
12	820-0013B	Hex Nut, Serated 1/4-20-Sand Filter (19)	**
13	820-0019B	Brass Insert, 3/8"-16 UNC-2B X 5/8" (.625) Volute (4)	2.45
14	SG3P10430-1	Booster Pump Motor	**
15	819-0011B	Screw, 3/8"-16 X 1 Hex Cap Head, Pool Pump (4)	5.98
16	819-0800B	Screw, #12 X 1.00" Lg, Type AB, Self-tapping, Pnhd, Phil. (2)	0.96
17	819-0013B	Screw Slot Hex Washer 1/4" X 1_1/4" (2)	1.57
18	550-8700B	Hose, Fitting And Clamp Kit (4)	**

** Please request price quote.



Replacement Parts / Power Defender Booster Pump 275 and 175



Replacement Parts / Power Defender Booster Pump 275 and 175



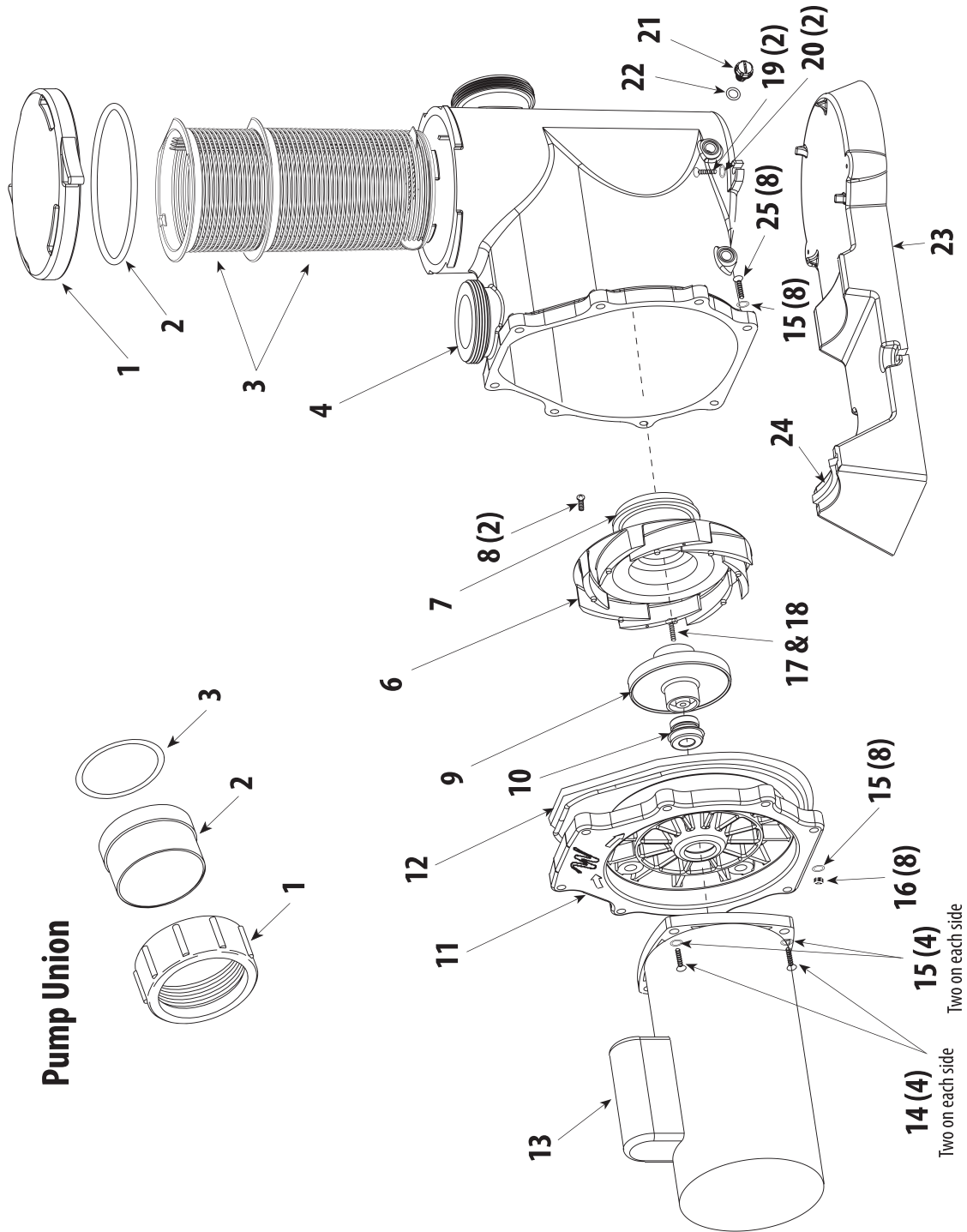
Power Defender Booster Pump 275 and 175 Replacement Parts

Item	Part No.	Description	List (US \$)
1	715-8400B	Drain Plug 3/8" Booster Pump	8.80
2	805-0112B	O-Ring, #2-112, .487 I.D. x .103 W	1.41
3	819-2590B	Bolt, Hex Hd, 1/4"-20 UNC x 1-1/8" LG SS (19)	2.19
4	315-8300B	Volute Booster Pump	132.67
5	872-6200B	Sleeve 1 1/2" x .049 Wall SS304	9.77
6	310-8400B	3/4 HP Impeller Booster Pump Brass Impeller Insert, 1/2"-20 UNC-2B X 1"	73.59
7	805-0268B	O Ring #268 (2)	7.66
8	319-3290B	Pump Seal Set (811-4020A, 811-4020B)	28.03
9	311-8300B	Seal Plate Booster Pump	**
10	820-0013B	Hex Nut, Serated 1/4"-20-Sand Filter (19)	**
11	820-0019B	Brass Insert, 3/8"-16 UNC-2B x 5/8" (.625) Volute (4)	2.45
12	—	Motor	**
13	819-0035B	Screw, 3/8"-16 x 1 Hex Cap Head, Pool Pump (4)	5.98
14	819-8400B	Screw, #12 X 1.00" Lg, Type AB, Self-tapping, Pnhd, Phil. (2)	0.96
15	820-8410B	Ext. Tooth Lock Washer 1/2" OD x 1/4" ID	**
16	672-1380B	Motor Mount, Booster Pump	**
17	819-0013B	Screw Slot Hex Washer 1/4" x 1 1/4" (2)	1.57
18	550-8700B	Hose, Fitting And Clamp Kit (4)	**

** Please request price quote.



Replacement Parts / SVL56 High-Flow Pump





SVL56 High-Flow Pump Replacement Parts

Item	Part No.	Description	List (US \$)
1	511-1310B	Trap Lid	63.88
2	805-0439B	Trap Lid O-Ring	7.85
3	319-1310B	Basket Assembly	26.78
4	315-1300B	Volute Housing	318.85
6	310-3300B	Diffuser - High-Flow	81.92
7	805-0238B	Diffuser O-Ring	4.52
8	819-0018B	Diffuser Screw (2 required)	3.16
9	310-3650B	SVL56E-110, SVL56S-107, SVL56S-110, SVL56S-210 Impeller Assembly - High-Flow	67.36
	310-3660B	SVL56E-115, SVL56S-115, SVL56S-215 Impeller Assembly - High-Flow	67.36
	310-3670B	SVL56E-120, SVL56S-120, SVL56S-125 Impeller Assembly - High-Flow	69.25
	310-3680B	SVL56E-130 Impeller Assembly - High-Flow	66.79
10	319-3100B	Pump Seal Set - Viton (replaces 319-3110B)	25.34
11	311-1400B	Volute Faceplate	103.88
12	711-4290B	Faceplate Gasket	22.26
13	—	Motor	**
14	819-0011B	Screw - 3/8" - 16 x 1/8" (4 required)	5.98
15	820-0017B	3/8" Flat Washer (12 required)	1.06
16	820-0016B	3/8" 16-Fin Serrated Hex Nut	4.21
17	819-4360B	Screw Head Left Hand Thread	4.94
18	711-4300B	SVL Gasket for Left Hand Screw	10.32
19	819-0013B	Screw (2 required)	1.57
20	820-0018B	Flat Washer (2 required)	0.49
21	715-1201B	3/8" Quarter Slot Drain Plug	3.50
22	805-0112B	Drain Plug O-Ring	1.41
23	672-1300B	SVL56 Base	74.50
24	672-1310B	Motor Support Strip	13.38
25	819-0016B	Screw (8 required)	2.91

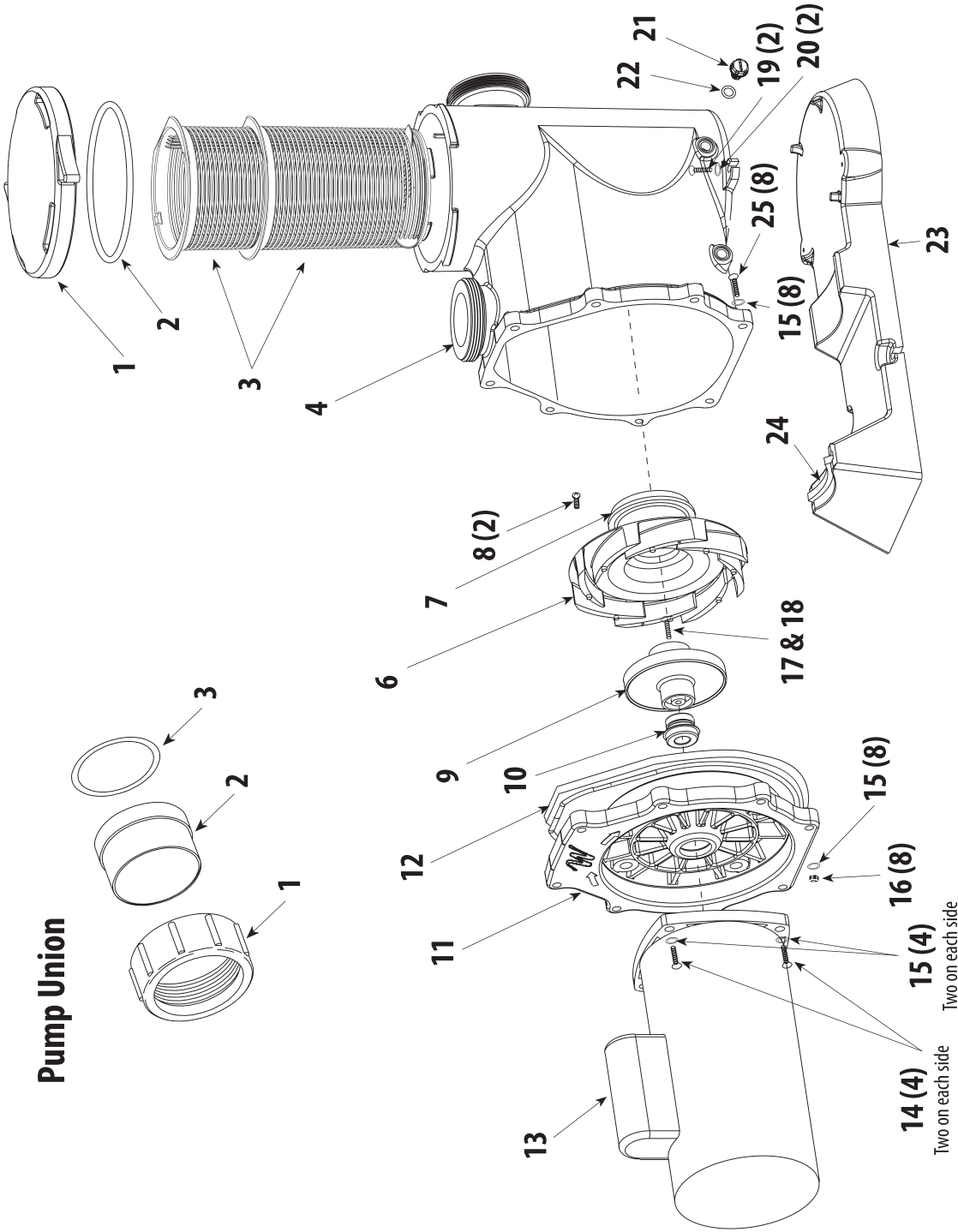
Pump Union Replacement Parts

Item	Part No.	Description	List (US \$)
1	415-6001B	2 1/2" Union Nut - Black	7.70
2	417-5971B	2" Tailpiece for 2 1/2" Union Nut - O-Ring Black	4.68
2	417-6001B	2 1/2" S Tailpiece - Black	5.62
3	711-6020B	Gasket 2 1/2" Union Heater	1.41

** Please request price quote.



Replacement Parts / Power Defender SVL300 Pump





Power Defender SVL300 Pump Replacement Parts

Item	Part No.	Description	List (US \$)
1	511-1310B	Trap Lid	63.88
2	805-0439B	Trap Lid O-Ring	7.85
3	319-1310B	Basket Assembly	26.78
4	315-1300B	Volute Housing	318.85
6	310-3300B	Diffuser - High-Flow	81.92
7	805-0238B	Diffuser O-Ring	4.52
8	819-0018B	Diffuser Screw (2 required)	3.16
9	310-3650B	SVL56E-110, SVL56S-107, SVL56S-110, SVL56S-210 Impeller Assembly - High-Flow	67.36
	310-3660B	SVL56E-115, SVL56S-115, SVL56S-215 Impeller Assembly - High-Flow	67.36
	310-3670B	SVL56E-120, SVL56S-120, SVL56S-125 Impeller Assembly - High-Flow	69.25
	310-3680B	SVL56E-130 Impeller Assembly - High-Flow	66.79
10	319-3100B	Pump Seal Set - Viton (replaces 319-3110B)	25.34
11	311-1400B	Volute Faceplate	103.88
12	711-4290B	Faceplate Gasket	22.26
13	—	Motor	**
14	819-0011B	Screw - 3/8" - 16 x 1/8" (4 required)	5.98
15	820-0017B	3/8" Flat Washer (12 required)	1.06
16	820-0016B	3/8" 16-Fin Serrated Hex Nut	4.21
17	819-4360B	Screw Head Left Hand Thread	4.94
18	711-4300B	SVL Gasket for Left Hand Screw	10.32
19	819-0013B	Screw (2 required)	1.57
20	820-0018B	Flat Washer (2 required)	0.49
21	715-1201B	3/8" Quarter Slot Drain Plug	3.50
22	805-0112B	Drain Plug O-Ring	1.41
23	672-1300B	SVL56 Base	74.50
24	672-1310B	Motor Support Strip	13.38
25	819-0016B	Screw (8 required)	2.91

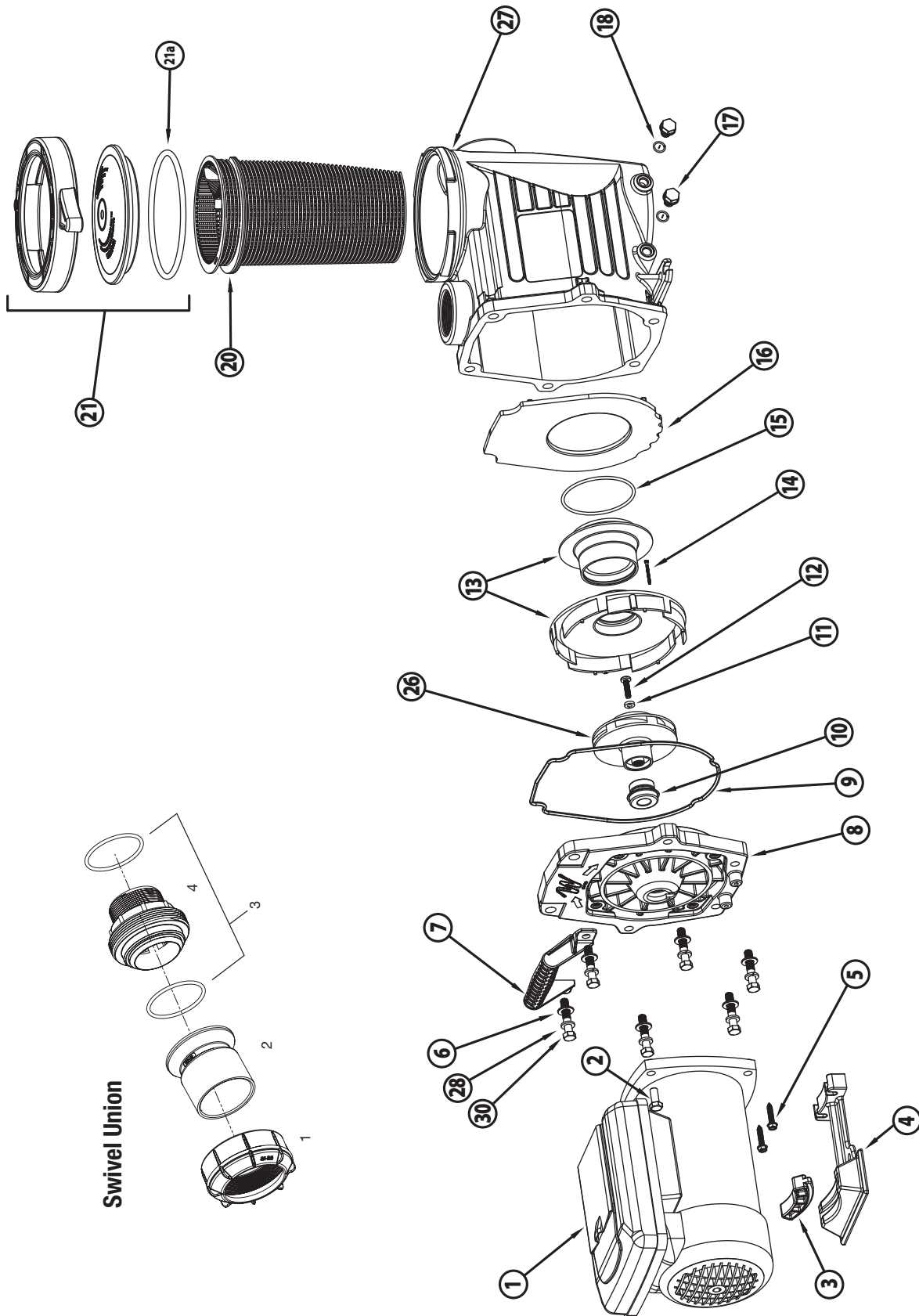
Pump Union Replacement Parts

Item	Part No.	Description	List (US \$)
1	415-6001B	2 1/2" Union Nut - Black	7.70
2	417-5971B	2" Tailpiece for 2 1/2" Union Nut - O-Ring Black	4.68
2	417-6001B	2 1/2" S Tailpiece - Black	5.62
3	711-6020B	Gasket, 2 1/2" Union Heater	1.41

** Please request price quote.



Replacement Parts / Power Defender 1.65HP Variable Speed Pump



Replacement Parts

Replacement Parts / Power Defender 1.65HP Variable Speed Pump



Power Defender 1.65HP Variable Speed Pump Replacement Parts

Item	Part No.	Description	List (US \$)
1	350V120-1	Motor, 56 Frame Variable Spd 230V	**
2	819-0035B	Bolt .375-16 x .875 Long	5.12
3	672-1350B	Motor Support Supra Max	27.84
4	319-1500B	Motor Base	60.32
5	819-0013B	Screw Slot Hex Washer ¼" x 1 ¼"	1.57
6	820-0017B	⅜" Flat Washer Type B, Pool Pumps	1.06
7	319-1700B	Handle	41.73
8	311-1450B	Face Plate	100.20
9	806-1400B	Gasket, Face Plate	7.62
10	319-3100B	Pump Seal Set-Viton	25.34
11	711-4300B	Washer, Impeller	10.32
12	819-4360B	Screw Phil. Pan Head Left Hand ¼-20 x 1"	4.94
13	310-7470B	Diffuser Assy	81.92
14	819-0018B	#4-40 Uncs Bolt Schs	3.16
15	805-0238B	O-Ring-238	4.52
16	319-1420B	Diffuser Plate	55.19
17	715-1201B	⅜" Quarter Slot Plug (Sd Wet End)	3.50
18	805-0014B	O-Ring, -014	1.40
20	319-1430B	Basket Assy	17.52
21	319-4100B	Lid & Nut & O-ring - 6" Trap	45.10
21a	805-0436B	O-Ring - 6" Trap Lid	4.48
26	310-7430B	2 HP Full 2.5 HP Upr Impeller Assy	67.36
27	319-1630B	Pump Housing - 2" x 2" Npt	**
28	820-0017-1B	⅜" Washer, Split Lock	3.40
30	819-0016B	⅜"-16 x 2" Lg Hex Head	2.91

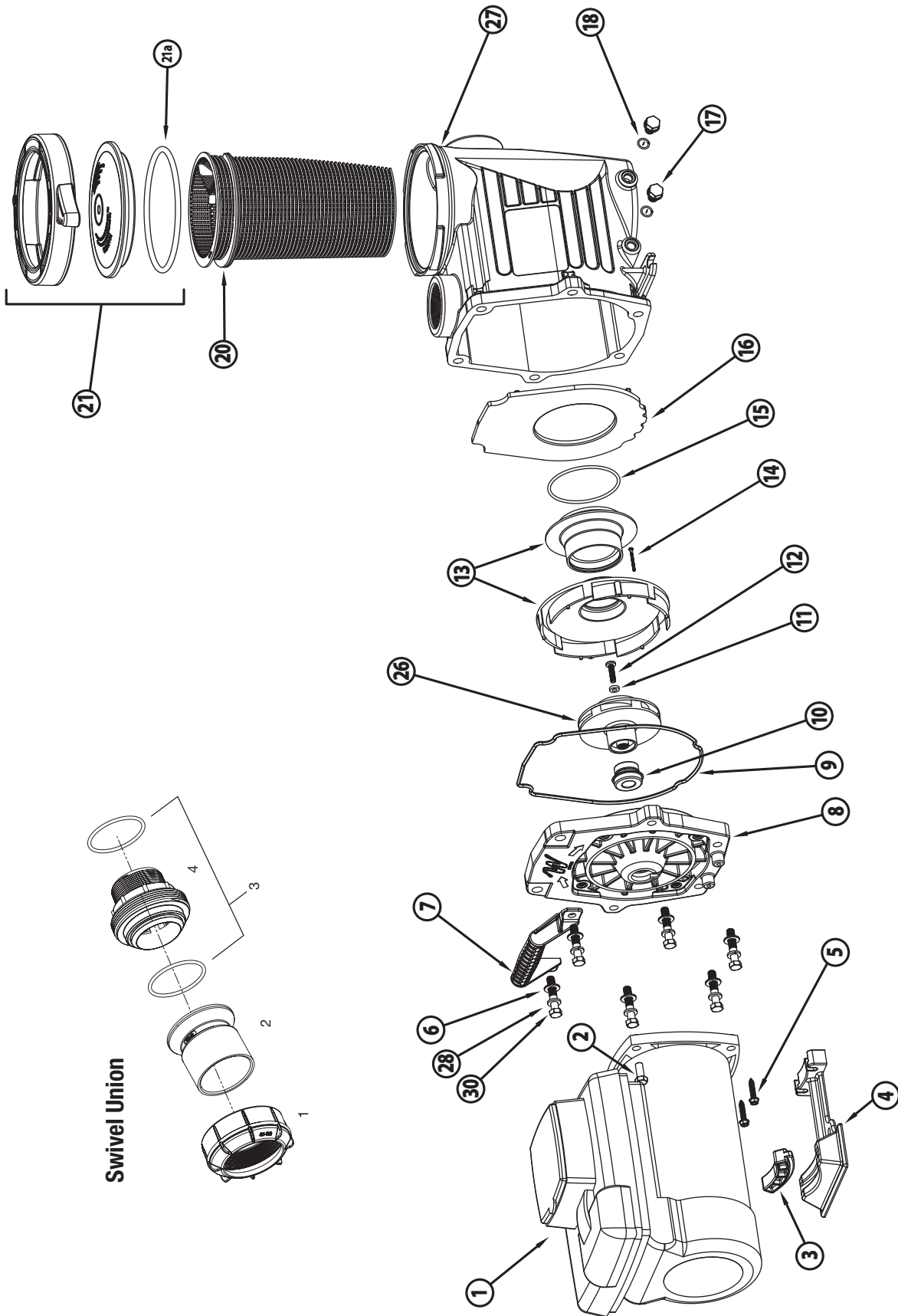
Swivel Union Replacement Parts

Item	Part No.	Description	List (US \$)
1	415-4061B	2" Self Aligning Union Nut	9.08
2	417-2111B	Tailpiece 2" S. Self-Aligning Union - Black	9.26
3	805-0332B	O-ring #332 Self Aligning Union	1.74
4	417-2121-CPVCB	Tailpiece 2" MPT, Self-Aligning Union	9.08

** Please request price quote.



Replacement Parts / Power Defender 2.7HP Variable Speed Pump





Power Defender 2.7HP Variable Speed Pump Replacement Parts

Item	Part No.	Description	List (US \$)
1	350VS20-1	Motor, 56 Frame Variable Spd 230V	**
2	819-0035B	Bolt .375-16 x .875 Long	5.12
3	672-1350B	Motor Support	27.84
4	319-1500B	Motor Base	60.32
5	819-0013B	Screw Slot Hex Washer 1/4" x 1 1/4"	1.57
6	820-0017B	3/8" Flat Washer Type B, Pool Pumps	1.06
7	319-1700B	Handle	41.73
8	311-1450B	Face Plate	100.20
9	806-1400B	Gasket, Face Plate	7.62
10	319-3100B	Pump Seal Set-Viton	25.34
11	711-4300B	Washer, Impeller	10.32
12	819-4360B	Screw Phil. Pan Head Left Hand 1/4-20 x 1"	4.94
13	310-7470B	Diffuser Assy	81.92
14	819-0018B	#4-40 Uncs Bolt Schs	3.16
15	805-0238B	O-Ring-238	4.52
16	319-1420B	Diffuser Plate	55.19
17	715-1201B	3/8" Quarter Slot Plug (Sd Wet End)	3.50
18	805-0014B	O-Ring, -014	1.40
20	319-1430B	Basket Assy	17.52
21	319-4100B	Lid & Nut & O-ring - 6" Trap	45.10
21a	805-0436B	O-Ring - 6" Trap Lid	4.48
26	310-7430B	2 HP Full 2.5 HP Upr Impeller Assy	67.36
27	319-1630	Pump Housing - 2" x 2" Npt	**
28	820-0017-1B	3/8" Washer, Split Lock	3.40
30	819-0016B	3/8"-16 x 2" Lg Hex Head	2.91

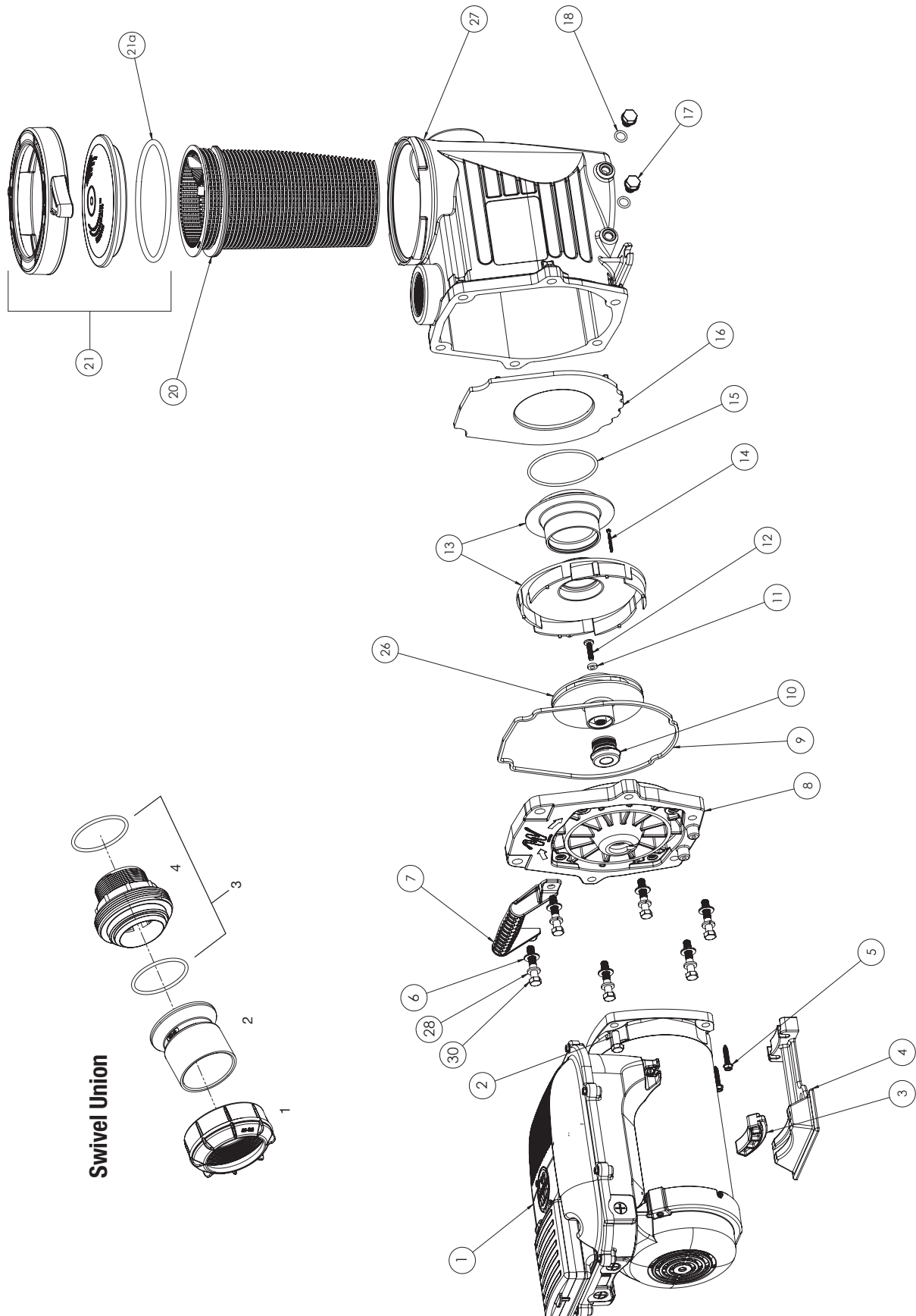
Swivel Union Replacement Parts

Item	Part No.	Description	List (US \$)
1	415-4061B	2" Self Aligning Union Nut	9.08
2	417-2111B	Tailpiece 2" S. Self-Aligning Union - Black	9.26
3	805-0332B	O-ring #332 Self Aligning Union	1.74
4	417-2121-CPVCB	Tailpiece 2" MPT, Self-Aligning Union	9.08

** Please request price quote.



Replacement Parts / Power Defender 3.0HP Variable Speed Pump





Power Defender 300 Variable Speed Pump Replacement Parts

Item	Part No.	Description	List (US \$)
1	—	Motor	**
2	819-0035B	Bolt .375-16 x .875 Long	5.12
3	672-1350B	Motor Support	27.84
4	319-1500B	Motor Base	60.32
5	819-0013B	Screw Slot Hex Washer ¼" x 1 ¼"	1.57
6	820-0017B	⅜" Flat Washer Type B, Pool Pumps	1.06
7	319-1700B	Handle	41.73
8	311-1450B	Face Plate	100.20
9	806-1400B	Gasket, Face Plate	7.62
10	319-3100B	Pump Seal Set-Viton	25.34
11	711-4300B	Washer, Impeller	10.32
12	819-4360B	Screw Phil. Pan Head Left Hand ¼-20 x 1"	4.94
13	310-7470B	Diffuser Assy	81.92
14	819-0018B	#4-40 Uncs Bolt Schs	3.16
15	805-0238B	O-Ring-238	4.52
16	319-1420B	Diffuser Plate	55.19
17	715-1201B	⅜" Quarter Slot Plug (Sd Wet End)	3.50
18	805-0014B	O-Ring, -014	1.40
20	319-1430B	Basket Assy	17.52
21	319-4100B	Lid & Nut & O-ring - 6" Trap	45.10
21a	805-0436B	O-Ring - 6" Trap Lid	4.48
26	310-7450B	Champion 3 HP Impeller Assy	67.36
27	319-1630B	Pump Housing - 2" x 2" Npt	**
28	820-0017-1B	⅜" Washer, Split Lock	3.40
30	819-0016B	⅜"-16 x 2" Lg Hex Head	2.91

Swivel Union Replacement Parts

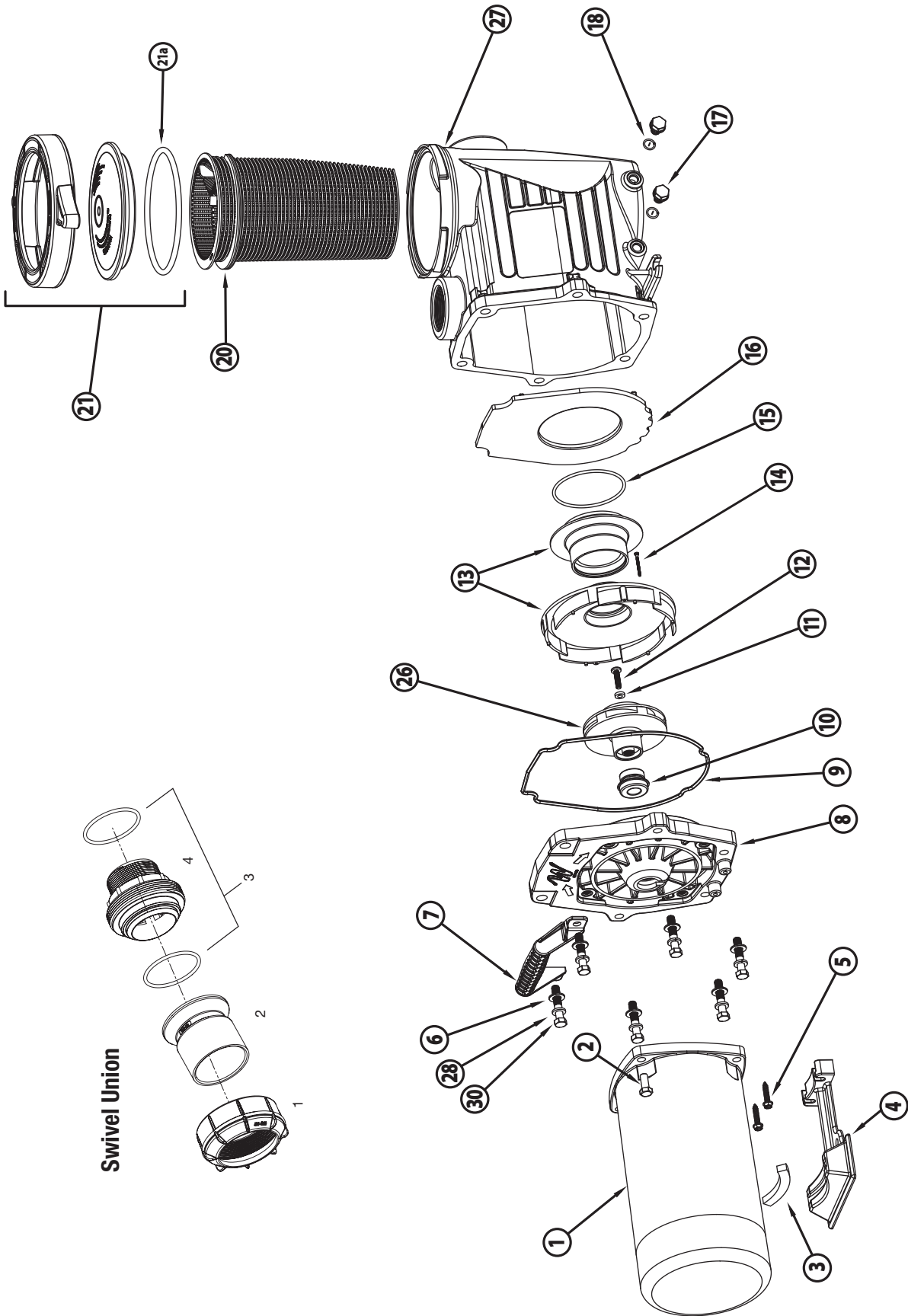
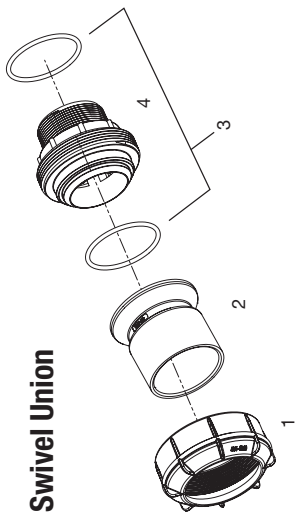
Item	Part No.	Description	List (US \$)
1	415-4061B	2" Self Aligning Union Nut	9.08
2	417-2111B	Tailpiece 2" S. Self-Aligning Union - Black	9.26
3	805-0332B	O-ring #332 Self Aligning Union	1.74
4	417-2121-CPVCB	Tailpiece 2" MPT, Self-Aligning Union	9.08

** Please request price quote.



Replacement Parts / SMF Pump

Swivel Union





SMF Pump Replacement Parts

Item	Part No.	Description	List (US \$)
1	3310330-1	Motor, 48-FRAME SQ FLG 3/4HP 115/230V 60HZ	**
2	819-0035B	Bolt .375-16 x .875 Long	5.12
3	672-1350B	Neoprene Motor Support Strip	27.84
4	319-1500B	Motor Support Base	60.32
5	819-0013B	Screw Slot Hex Washer 1/4" x 1 1/4"	1.57
6	820-0017B	3/8" Flat Washer Type B, Pool Pumps	1.06
7	319-1700B	Handle	41.73
8	311-1450B	Face Plate	100.20
9	806-1400B	Gasket, Face Plate	7.62
10	319-3100B	Pump Seal Set-Viton	25.34
11	711-4300B	Washer, Impeller	10.32
12	819-4360B	Screw Phil. Pan Head Left Hand 1/4-20 x 1"	4.94
13	310-7470B	Diffuser Assy	81.92
14	819-0018B	#4-40 Uncs Bolt Schs	3.16
15	805-0238B	O-Ring-238	4.52
16	319-1420B	Diffuser Plate	55.19
17	715-1201B	3/8" Quarter Slot Plug (Sd Wet End)	3.50
18	805-0014B	O-Ring, -014	1.40
20	319-1430B	Basket Assy	17.52
21	319-4100B	Lid & Nut & O-ring - 6" Trap	45.10
21a	805-0436B	O-Ring - 6" Trap Lid	4.48
26	310-7500B	SupraMax 3/4 HP Impeller Assembly	67.36
	310-7510B	SupraMax 1 HP Impeller Assembly	67.36
	310-7520B	SupraMax 1.5 HP Impeller Assembly	67.36
	310-7530B	SupraMax 2 HP Impeller Assembly	67.36
27	315-1400B	Pump Housing - 2" x 2" Npt	297.14
28	820-0017-1B	3/8" Washer, Split Lock	3.40
30	819-0016B	3/8" - 16 x 2" Lg Hex Head	2.91
	319-1630B	Champion/SMF Volute Assy (Housing, Lid, Nut, Basket & O-Rings)	**

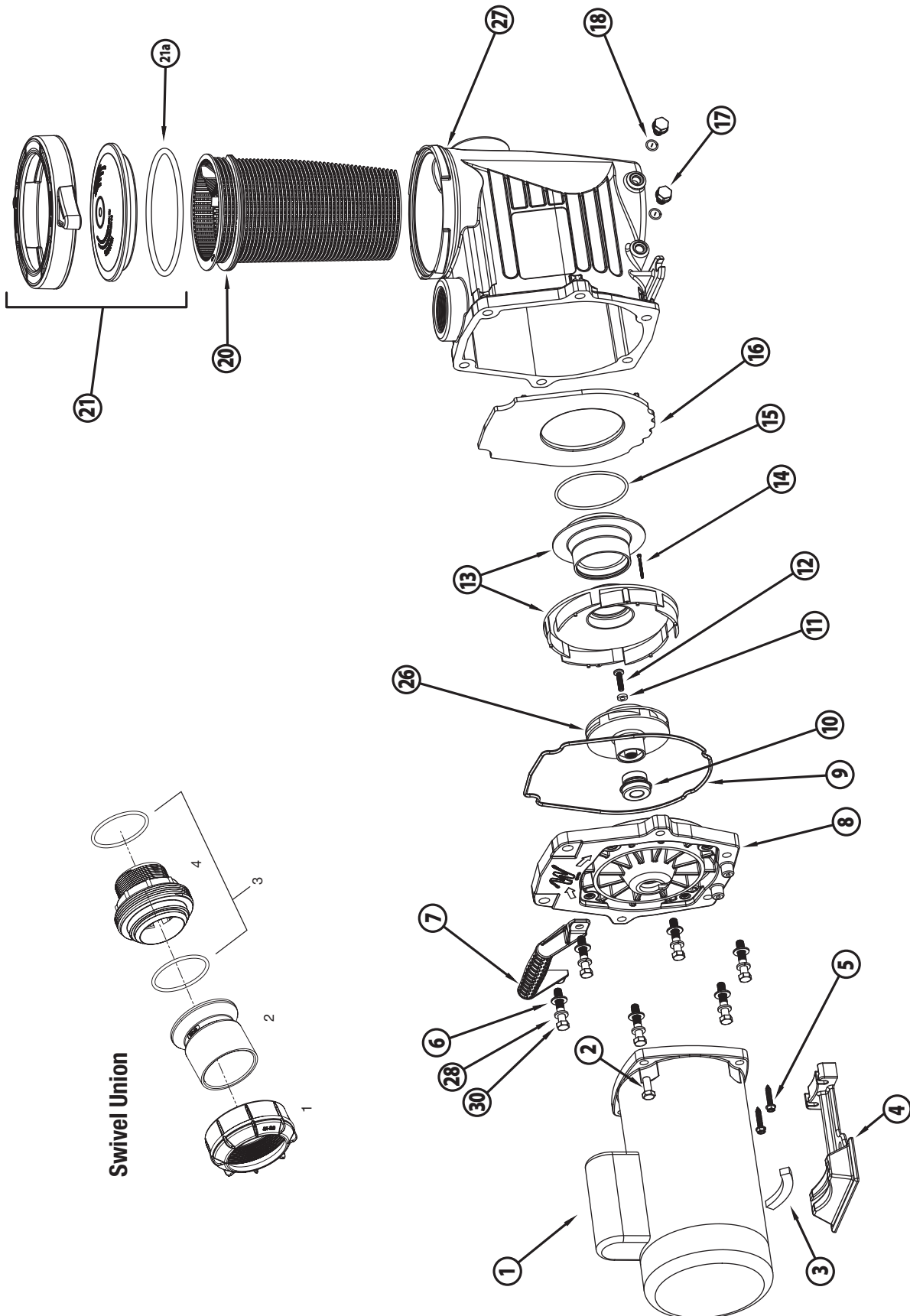
Swivel Union Replacement Parts

Item	Part No.	Description	List (US \$)
1	415-4061B	2" Self Aligning Union Nut	9.08
2	417-2111B	Tailpiece 2" S. Self-Aligning Union - Black	9.26
3	805-0332B	O-Ring #332 Self Aligning Union	1.74
4	417-2121-CPVCB	Tailpiece 2" MPT, Self-Aligning Union	9.08

** Please request price quote.



Replacement Parts / Champion 56-Frame Pump



Swivel Union



Champion 56-Frame Pump Replacement Parts

Item	Part No.	Description	List (US \$)
1	350VS20-1	Motor, 56 Frame Variable Spd 230V	**
2	819-0035B	Bolt .375-16 x .875 Long	5.12
3	672-1350B	Neoprene Motor Support Strip	27.84
4	319-1500B	Motor Support Base	60.32
5	819-0013B	Screw Slot Hex Washer 1/4" x 1 1/4"	1.57
6	820-0017B	3/8" Flat Washer Type B, Pool Pumps	1.06
7	319-1700B	Handle	41.73
8	311-1450B	Face Plate	100.20
9	806-1400B	Gasket, Face Plate	7.62
10	319-3100B	Pump Seal Set-Viton	25.34
11	711-4300B	Washer, Impeller	10.32
12	819-4360B	Screw Phil. Pan Head Left Hand 1/4-20 x 1"	4.94
13	310-7470B	Diffuser Assy	81.92
14	819-0018B	#4-40 Uncs Bolt Schs	3.16
15	805-0238B	O-Ring-238	4.52
16	319-1420B	Diffuser Plate	55.19
17	715-1201B	3/8" Quarter Slot Plug (Sd Wet End)	3.50
18	805-0014B	O-Ring, -014	1.40
20	319-1430B	Basket Assy	17.52
21	319-4100B	Lid & Nut & O-ring - 6" Trap	45.10
21a	805-0436B	O-Ring - 6" Trap Lid	4.48
26	310-7400B	CHAMPS-107 Impeller Assembly	67.36
	310-7410B	CHAMPE-107/CHAMPS-110 /CHAMPS-210 Impeller Assy	67.36
	310-7420B	CHAMPE-110/CHAMPS-115/CHAMPS-210 Impeller Assy	67.36
	310-7430B	CHAMPE-115/CHAMPS-120/ CHAMPS-220 Impeller Assy	67.36
	310-7440B	CHAMPE-120/CHAMPS-125 /CHAMPS-225 Impeller Assy	67.36
	310-7450B	CHAMPE-130 Impeller Assembly	67.36
27	315-1400B	Pump Housing - 2" x 2" Npt	297.14
28	820-0017-1B	3/8" Washer, Split Lock	3.40
30	819-0016B	3/8"-16 x 2" Lg Hex Head	2.91
	319-1630B	Champion/SMF Volute Assy (Housing, Lid, Nut, Basket & O-Rings)	**

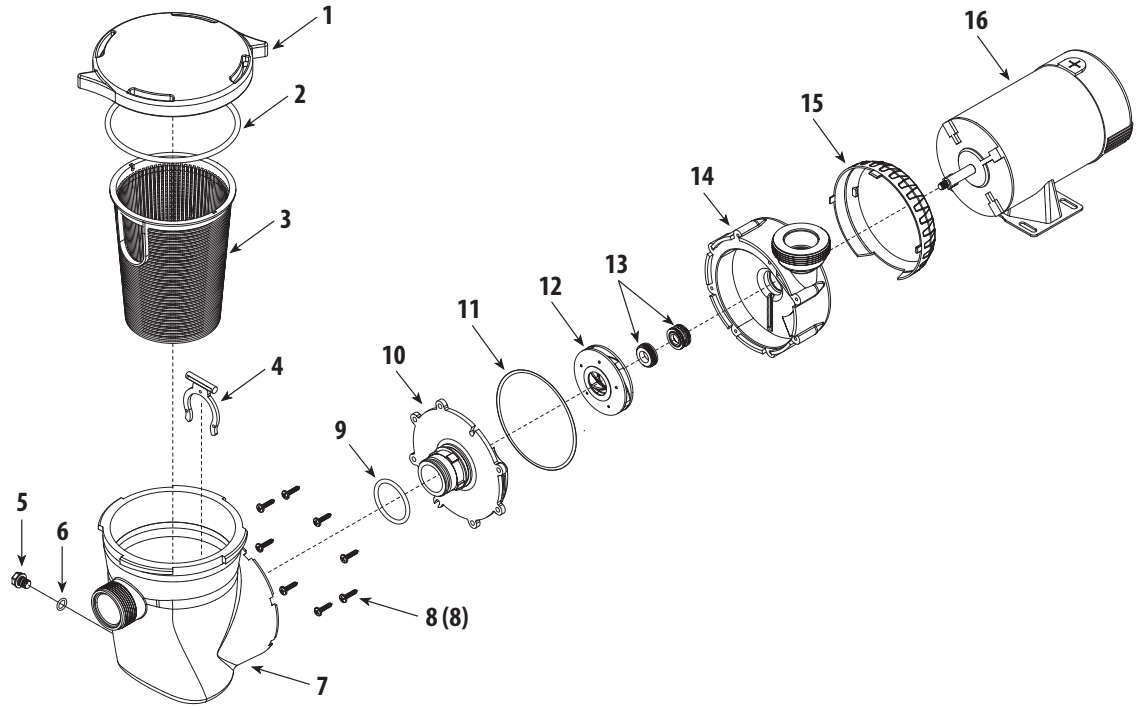
Swivel Union Replacement Parts

Item	Part No.	Description	List (US \$)
1	415-4061B	2" Self Aligning Union Nut	9.08
2	417-2111B	Tailpiece 2" S. Self-Aligning Union - Black	9.26
3	805-0332B	O-ring #332 Self Aligning Union	1.74
4	417-2121-CPVCB	Tailpiece 2" MPT, Self-Aligning Union	9.08

** Please request price quote.



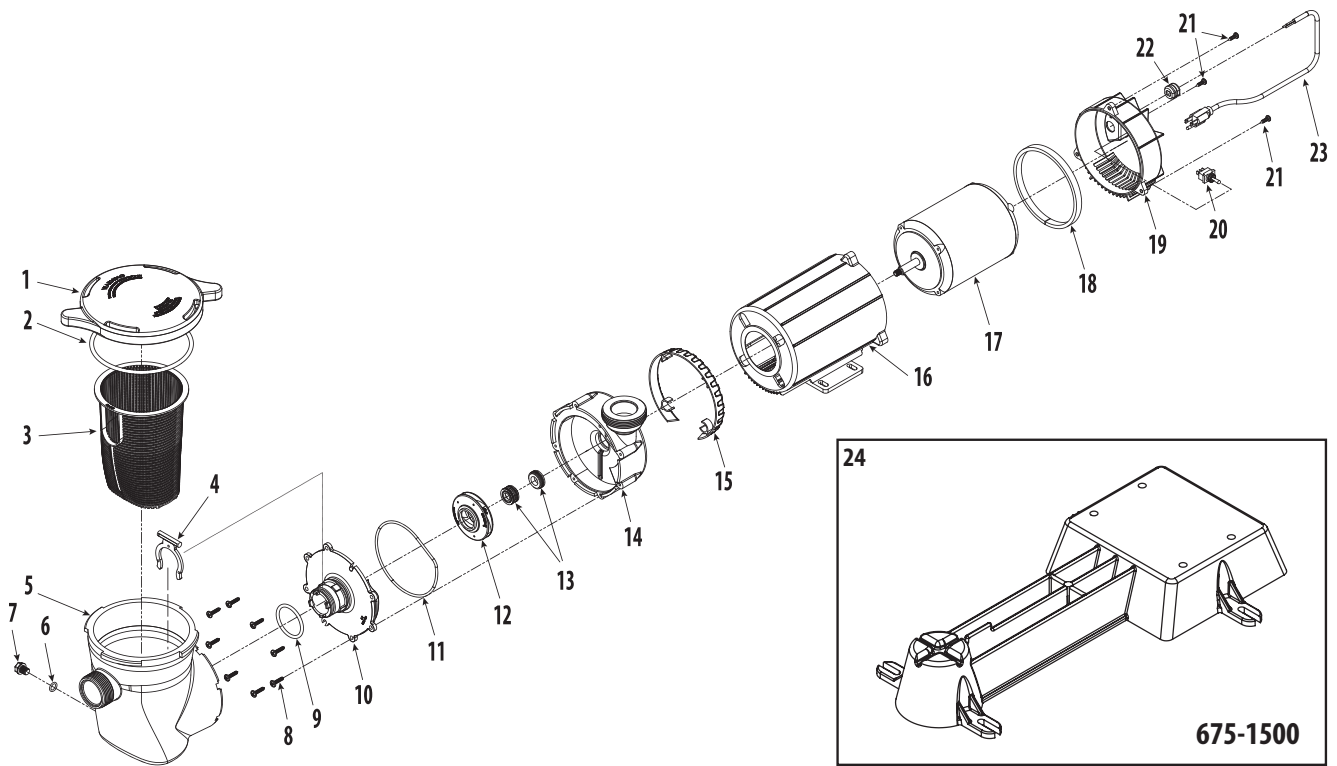
Replacement Parts / Supreme Pump



Supreme Pump Replacement Parts

Item	Part No.	Description	List (US \$)
1	511-1310B	Trap Lid	63.88
2	805-0439B	O-Ring #439	7.85
3	319-1530B	Trap Basket	21.20
4	319-1540B	C-Clip	12.61
5	715-1201B	3/8" Quarter Slot Drain Plug	3.50
6	805-0112B	O-Ring - Drain Plug	1.41
7	319-1510B	Trap Body	247.60
8	819-0800B	Screw #12 x 1" Self-Tapping Pan Head Phillips (8 required)	0.96
9	805-0330B	O-Ring #2-330	1.68
10	311-1520B	Faceplate	107.20
11	805-0001-SPLB	O-Ring Face Plate Volute	**
12	310-5080B	3/4 HP Impeller Assembly	38.26
	310-5090B	1 HP Impeller Assembly	38.26
	310-5100B	1 1/2 HP Impeller Assembly	38.26
13	319-3090B	Pump Seal Kit	25.34
14	315-1510B	Volute	161.22
15	319-1550B	Volute Cosmetic Cover	53.89
16	--	Motor	**
17	741-CGGZ-67RB	3 ft. Electrical Cord - Regular Plug	45.54
18	741-CGGZ-37LB	3 ft. Electrical Cord - Twist-lock Plug	43.52

** Please request price quote.



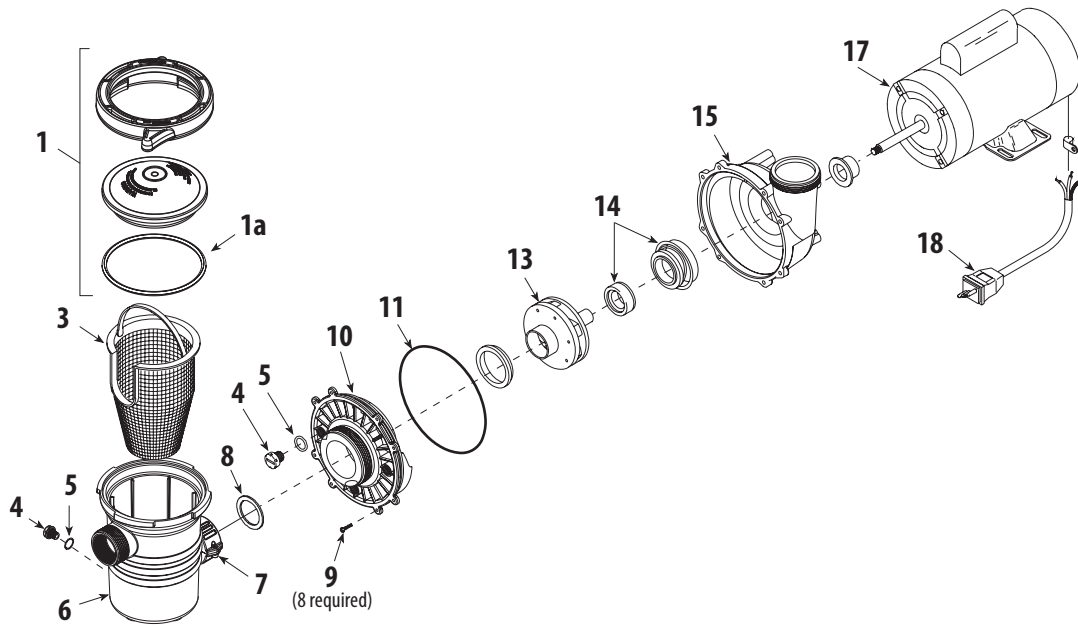
CSA Supreme Pump Replacement Parts

Item	Part No.	Description	List (US \$)
1	511-1310B	Trap Lid	63.88
2	805-0439B	O-Ring #439	7.85
3	319-1530B	Trap Basket	21.20
4	319-1540B	C-Clip for Poop Pump	12.61
5	319-1510B	Trap Body	247.60
6	805-0112B	O-Ring - Drain Plug	1.41
7	715-1201B	3/8" Quarter Slot Plug	3.50
8	819-0800B	Screw #12 x 1" Self-Tapping Pan Head Phillips (8 required)	0.96
9	805-0330B	O-Ring #2-330	1.68
10	311-1520B	Faceplate	107.20
11	805-0001-SPLB	O-Ring Faceplate	**
12	310-5080B	3/4 HP Impeller Assembly	38.26
	310-5090B	1 HP Impeller Assembly	38.26
	310-5100B	1 1/2 HP Impeller Assembly	38.26
13	319-3010B	Pump Seal Kit - Viton	**
14	315-1510B	Volute	161.22
15	319-1560B	Volute Cosmetic Cover	**
16	319-3500B	CSA Body Enclosure	57.92
17	--	Motor	**
18	865-0800B	Foam Ring	**
19	319-3510B	CSA Motor End Back Cover	18.89
20	815-4011B	Hi-Off-Lo Toggle Switch	13.62
21	819-9002B	Screw (3 required) #12 x 3/4" Phillips	0.69
22	813-0025B	Strain Relief Plug	**
23	741-CGGZ-257RB	25 ft. NEMA Cord	**
24	675-1500B	CSA Pump Base, Supreme and Hi Flo Pump	**

** Please request price quote.



Replacement Parts / Hi-Flo & Hi-Flo II Side Discharge Pump



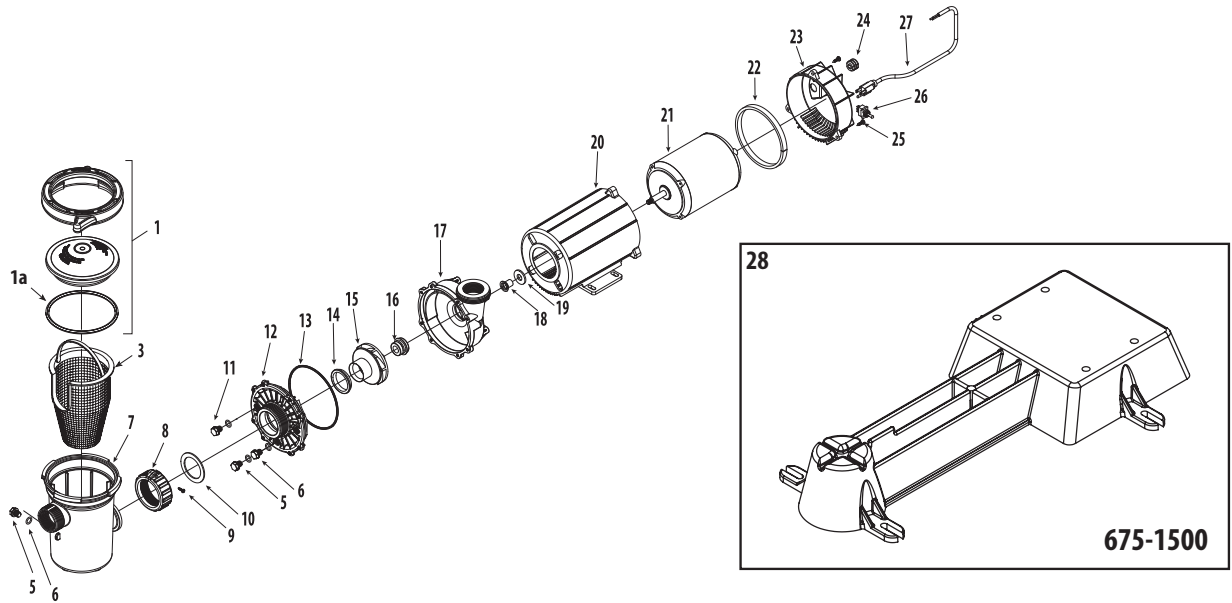
Hi-Flo Side Discharge Pump Replacement Parts

Item	Part No.	Description	List (US \$)
1	319-4100	Lid & Nut & O-ring - 6" Trap	45.10
1a	805-0436B	O-Ring - 6" Trap Lid	4.48
3	319-3230B	6" Trap Basket Assembly with Handle	19.55
4	715-1201B	3/8" Quarter Slot Drain Plug	3.50
5	805-0112B	O-Ring - Drain Plug	1.41
6	319-2170B	6" Trap Body - 1 1/2" FPT/ 1 1/2" Buttress x 2" Union Flange	51.94
7	400-5161B	2" Split Nut with Screw	4.66
8	711-4010B	2" Union Gasket	1.52
9	819-1110B	Screw (8 required)	2.33
10	311-2140B	2" Intake Side Discharge Faceplate	42.48
11	805-0256B	O-Ring - Faceplate	6.19
13	310-3990B	3/4 HP Impeller Assembly	30.74
	310-4000B	1 HP Impeller Assembly	30.77
	310-4010B	1 1/2 HP Impeller Assembly	30.79
	310-4030B	2 HP Impeller Assembly	30.79
14	319-3100B	Pump Seal Kit - Viton	25.34
15	315-2500B	Volute Housing - Side Discharge	**
17	--	Motor	**
18	741-CGGZ-67RB	3 ft. Electrical Cord - Regular Plug	45.54
	741-CGGZ-37LB	3 ft. Electrical Cord - Twist-Lock Plug	43.52

Hi-Flo II Side Discharge Pump Replacement Parts

Item	Part No.	Description	List (US \$)
4	715-4020B	3/8" Quarter Slot Drain Plug	2.87
10	311-2170B	2" Intake Side Discharge Faceplate	39.35
11	805-0158B	O-Ring - Faceplate	**
13	310-8000B	1/2 HP Impeller Assembly	29.97
	310-8010B	3/4 HP Impeller Assembly	30.14
	310-8020B	1 HP Impeller Assembly	29.97
	310-8030B	1 1/2 HP Impeller Assembly	30.14
	310-8040B	2 HP Impeller Assembly	30.09
14	319-3090B	Pump Seal Kit - Viton	25.34
15	315-2520B	Volute Housing - Side Discharge	**

** Please request price quote.



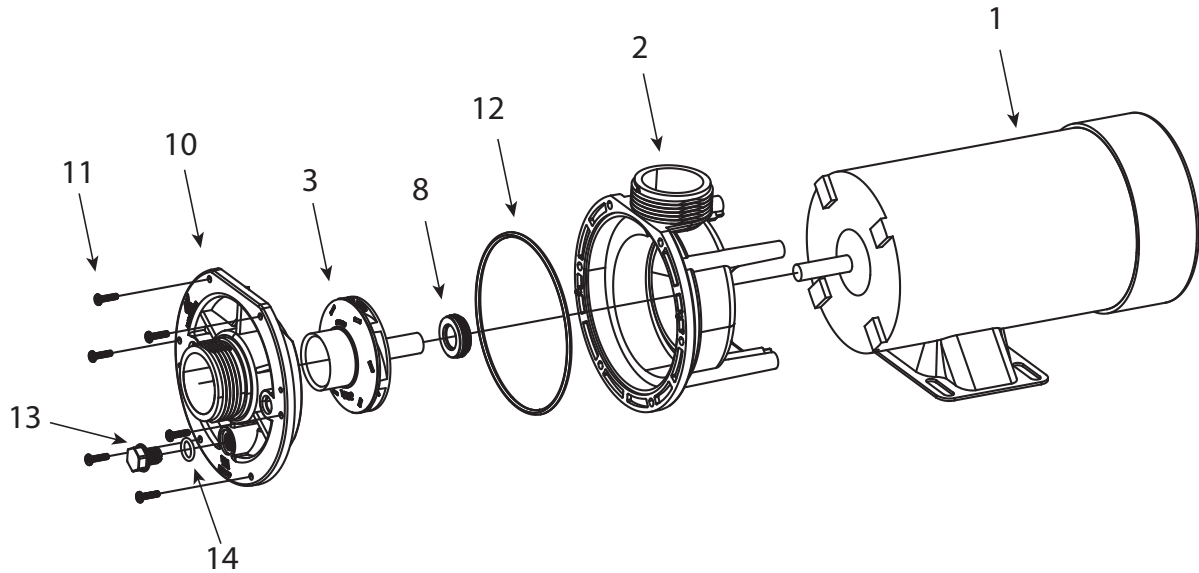
CSA Hi-Flo II Side Discharge Pump Replacement Parts

Item	Part No.	Description	List (US \$)
1	319-4100	Lid & Nut & O-ring - 6" Trap	45.10
1a	805-0436B	O-Ring - 6" Trap Lid	4.48
3	319-3230B	6" Trap Basket Assembly with Handle	19.55
5	715-1201B	3/8" Quarter Slot Plug (2 required)	3.50
6	805-0112B	O-Ring - Drain Plug (2 required)	1.41
7	319-2170B	6" Trap Body - 1 1/2" FPT / 1 1/2" Buttress x 2" Union Flange	51.94
8	415-5201B	2" Heater Split Nut x 2 5/16" Gated Flange	**
9	819-4350B	Screw (2 required)	**
10	711-4010B	2" Union Gasket	1.52
11	819-1110B	Screw (8 required)	2.33
12	311-2140B	Side Discharge Faceplate	42.48
13	805-0256B	O-Ring - Faceplate	6.19
14	319-1390B	Wear Ring	8.82
15	310-3990B	3/4 HP Impeller "B" Assembly	30.74
--	310-4000B	1 HP Impeller "C" Assembly	30.77
--	310-4010B	1 1/2 HP Impeller "D" Assembly	30.79
--	310-4030B	2 HP Impeller Assembly	30.79
16	319-3100B	Pump Seal Kit	25.34
17	315-2500B	Side Discharge Volute with Inserts	**
18	319-3520B	CSA Slinger	**
19	319-3530B	CSA Slinger Washer	3.66
20	319-3500B	CSA Body Enclosure	57.92
21	--	Motor	**
22	865-0800B	Foam	**
23	319-3510B	CSA Back Cover	18.89
24	813-0025B	Strain Relief	**
25	819-9002B	Screw (3 required)	0.69
26	815-4011B	Hi-Off-Lo Toggle Switch	13.62
27	741-CGGZ-257RB	NEMA 25ft. Cord	**
28	675-1500B	CSA Pump Base, Supreme and Hi-Flo Pump	**

** Please request price quote.

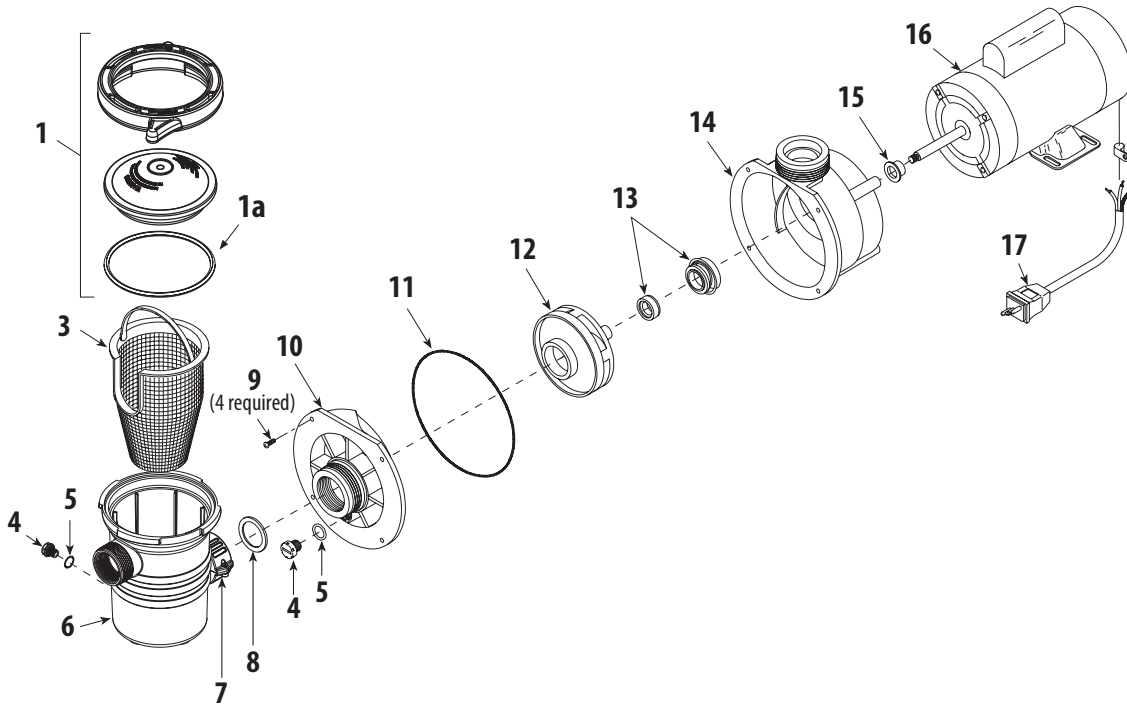


Replacement Parts / E-Series Center Discharge Pump



E-Series Center Discharge Pump Replacement Parts

Item	Part No.	Description	List (US \$)
2	315-1070B	Volute - Spa & Bath - Center Discharge	50.86
3	310-8000B	½ HP Impeller Assembly	29.97
	310-8010B	¾ HP Impeller Assembly	30.14
	310-8020B	1 HP Impeller Assembly	29.97
	310-8030B	1½ HP Impeller Assembly	30.14
	310-8040B	2 HP Impeller Assembly	30.09
8	319-3090B	Pump Seal Kit	25.34
10	311-1070B	Faceplate - Spa - Center Discharge Wet End	38.75
11	819-1110B	Screw - #8 - 32 x ½" PPH 18-8	2.33
12	805-0252B	O-Ring - #265 - Sand Filter Valve	5.70
13	715-1201B	⅜" Quarter Slot Plug (SD Wet End)	3.50
14	805-0112B	O-Ring - #112 Pump Drain Plug	1.41



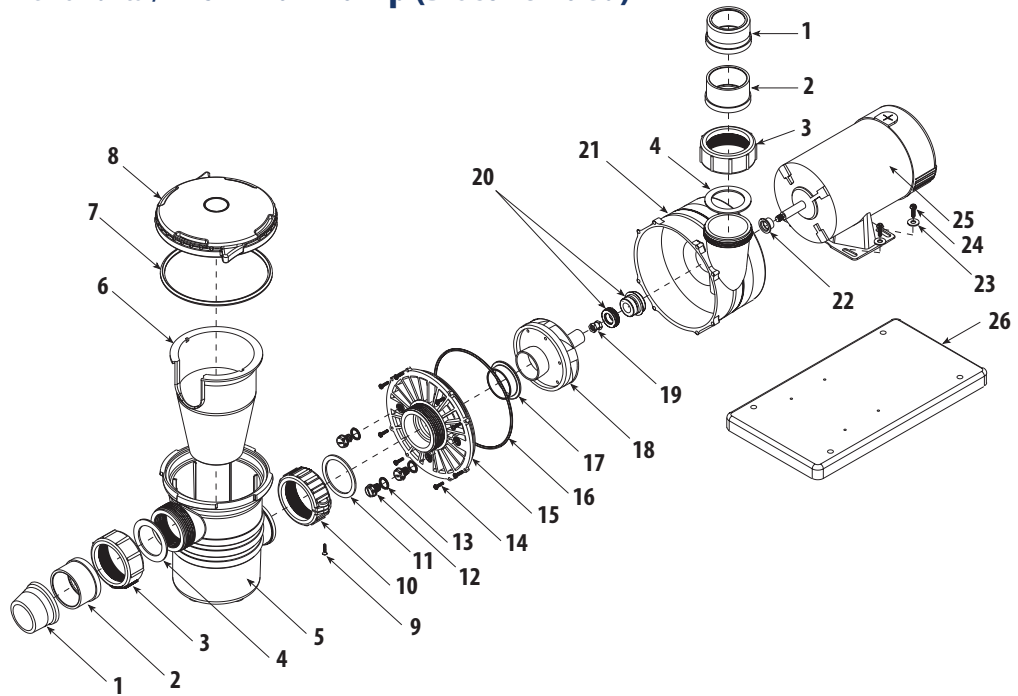
Center Discharge Pump Replacement Parts

Item	Part No.	Description	List (US \$)
1	319-4100B	Lid & Nut & O-ring - 6" Trap	45.10
1a	805-0436B	O-Ring - 6" Trap Lid	4.48
3	319-3230B	6" Trap Basket Assembly with Handle	19.55
4	715-1201B	3/8" Quarter Slot Plug	3.50
5	805-0112B	O-Ring - Pump Drain Plug	1.41
6	319-2160B	6" Trap Body - 1 1/2" FPT / 1 1/2" Buttress x 1 1/2" Union Flange	51.94
7	415-4051B	1 1/2" Split Nut Union Buttress	6.76
8	711-4000B	1 1/2" Union Gasket	1.41
9	819-1110B	Screw (4 required)	2.33
10	311-1110B	Faceplate	**
11	805-0252B	O-Ring - Faceplate Volute	5.70
12	310-5110B	1/2 HP Impeller "A" Assembly	32.07
	310-5120B	3/4 HP Impeller "B" Assembly	30.79
	310-5130B	1 HP Impeller "C" Assembly	**
	310-5140B	1 1/2 HP Impeller "D" Assembly	30.79
	310-5200B	2 HP Impeller "E" Assembly	30.79
13	319-3100B	Seal Set	25.34
14	315-1120B	Volute	41.62
	315-1050B	Jacuzzi Style Volute	67.18
15	313-1400B	Slinger	2.11
16	--	Motor	**
17	741-CGGZ-67RB	3 ft. Cord - Regular Plug	45.54
	741-CGGZ-37LB	3 ft. Cord - Twist-Lock Plug	43.52

** Please request price quote.



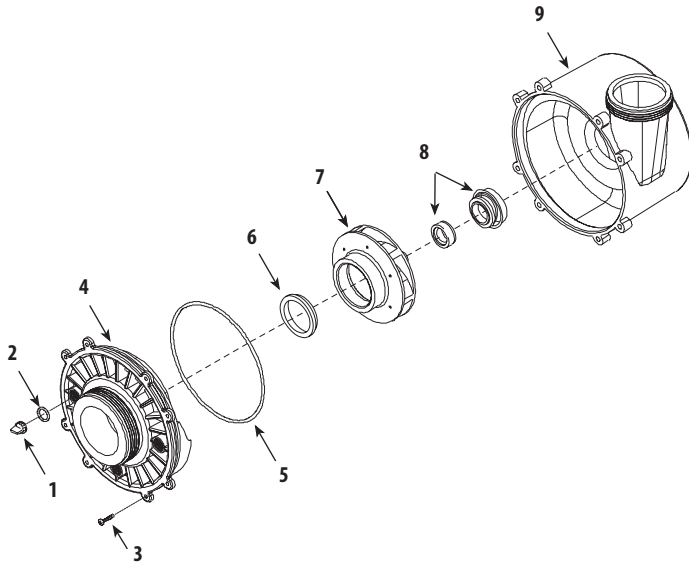
Replacement Parts / Workman Pump (Discontinued)



Workman Pump Replacement Parts

Item	Part No.	Description	List (US \$)
1	417-5130B	Tailpiece - (2" Spigot x 1 1/2" FPT) - O-Ring Groove (optional)	**
2	417-5121B	2" Tailpiece	4.43
3	415-5001B	2" Union Nut	4.71
4	711-4010B	2" Union Gasket	1.52
5	319-5300B	Workman Trap 2" FPT / 2" Buttress x 2" Union Flange	**
6	319-3210B	6" Trap Basket	15.64
7	805-0436B	O-Ring - 6" Trap Lid	4.48
8	319-3260B	Lid - 6" Trap - Self-Locking	**
9	819-1040B	Screw #8 x 3/4 Stainless Steel Phillips	**
10	400-5301B	Workhorse Trap Split-Nut Assembly with Screw	**
11	711-5300B	2" Gasket - Workhorse Trap	**
12	715-1201B	3/8" Quarter Slot Plug	3.50
13	805-0112B	O-Ring - Pump Drain Plug	1.41
14	819-1110B	Screw #8 32 x 5/8 PPH 18-8	2.33
15	311-1220B	Executive Volute Faceplate 2" Intake	50.91
16	805-0261B	O-Ring 261 - Volute for Executive Faceplate	5.80
17	319-1380B	Wear Ring - Executive 3/4, 1, 2, and 3 HP	7.90
18	310-1020B	3/4 HP Impeller Assembly	**
	310-1030B	1 HP Impeller Assembly	**
	310-1040B	1 1/2 HP Impeller Assembly	**
	310-1050B	2 HP Impeller Assembly	**
	310-1060B	3 HP Impeller Assembly	**
19	820-4150B	Coupling Nut - Impeller	**
20	319-3100B	Pump Seal Kit	25.34
21	315-1240B	48-Frame Volute with Inserts	48.50
22	313-1400B	Slinger	2.11
23	820-0018B	F/Washer	0.49
24	819-9001B	Screw #12 x 3/4 Slot Hex Washer	**
25	--	Motor	**
26	672-1060B	Equipment Base - 1" x 8 1/2" x 15 1/2"	**

** Please request price quote.



Executive 56-Frame Wet End Replacement Parts

Item	Part No.	Description	List (US \$)
1	715-1201B	3/8" Quarter Slot Plug - Air Relief	3.50
2	805-0112B	O-Ring - #111 - Pump Drain Plug	1.41
3	819-1110B	Screw - #8 - 32 x 7/16" PPH	2.33
4	311-1210B	Executive Faceplate 2 1/2"	50.95
	311-1220B	Executive Faceplate 2"	50.91
5	805-0261B	O-Ring 261 - Volute for Executive Faceplate	5.80
6	319-1370B	Wear Ring - Executive Pump 4 & 5 HP	7.90
	319-1380B	Wear Ring - Executive Pump 3/4, 1, 2, and 3 HP	7.90
7	310-4220B	1 HP Impeller Assembly	35.47
	310-4210B	2 HP Impeller Assembly	35.47
	310-4200B	3 HP Impeller Assembly	35.48
	310-4190B	4 HP Impeller Assembly	35.49
	310-4180B	5 HP Impeller Assembly	**
8	319-3100B	Pump Seal Set	25.34
9	315-1220B	Executive Volute 56-Frame with Inserts	**

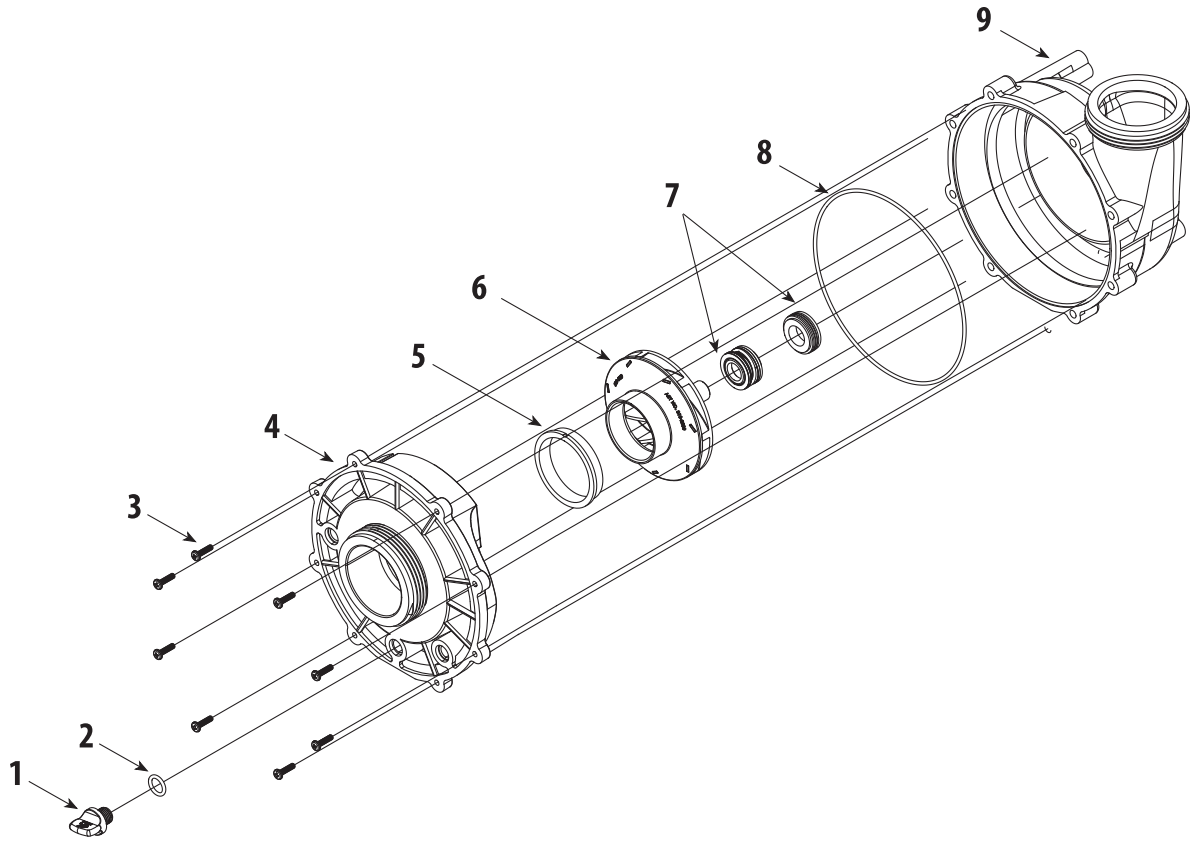
Executive 48-Frame Wet End Replacement Parts

Item	Part No.	Description	List (US \$)
1	715-1201B	3/8" Quarter Slot Plug - Air Relief	3.50
2	805-0112B	O-Ring - #111 - Pump Drain Plug	1.41
3	819-1110B	Screw - #8 - 32 x 7/16" PPH	2.33
4	311-1210B	Executive Faceplate 2 1/2"	50.95
	311-1220B	Executive Faceplate 2"	50.91
5	805-0261B	O-Ring 261 - Volute for Executive Faceplate	5.80
6	319-1370B	Wear Ring - Executive Pump 4 & 5 HP	7.90
	319-1380B	Wear Ring - Executive Pump 3/4, 1, 2 and 3 HP	7.90
7	310-4230B	1 HP Motor - 3/4 HP Impeller Assembly	34.88
	310-4220B	1 1/2 HP Motor - 1 HP Impeller Assembly	35.47
	310-4210B	2 HP Motor - 2 HP Impeller Assembly	35.47
	310-4200B	3 HP Motor - 2 HP Impeller Assembly	35.48
	310-4200B	4 HP Motor - 3 HP Impeller Assembly	35.48
8	319-3100B	Pump Seal Set	25.34
9	315-1240B	Executive Volute 48-Frame with Inserts	48.50

** Please request price quote.

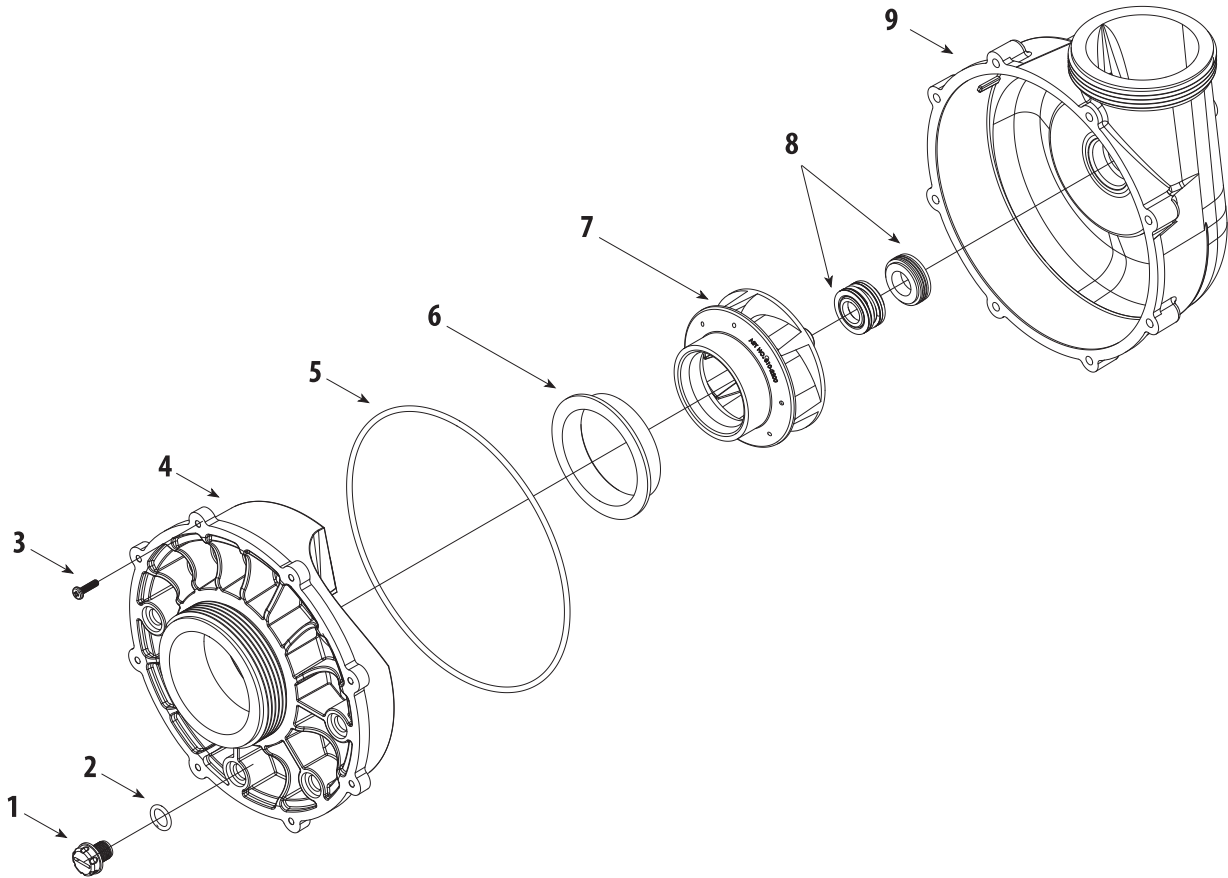


Replacement Parts / EX2 Wet End



EX2 Wet End Replacement Parts

Item	Part No.	Description	List (US \$)
1	715-4020B	Pump Drain Plug	2.87
2	805-0112B	O-Ring - Pump Drain Plug	1.41
3	819-1110B	Screw #8-32	2.33
4	311-2311B	Volute Faceplate	50.24
5	319-1270B	Wear Ring	7.22
6	310-2330B	Impeller Assembly - 1 ½ HP	35.96
	310-2340B	Impeller Assembly - 2 HP	34.88
	310-2300B	Impeller Assembly - 2 ½ HP	34.88
	310-2350B	Impeller Assembly - 3 HP	34.88
7	319-3090B	Pump Seal Kit	25.34
8	805-0164B	O-Ring #164	5.56
9	315-2301B	Volute Housing	48.04



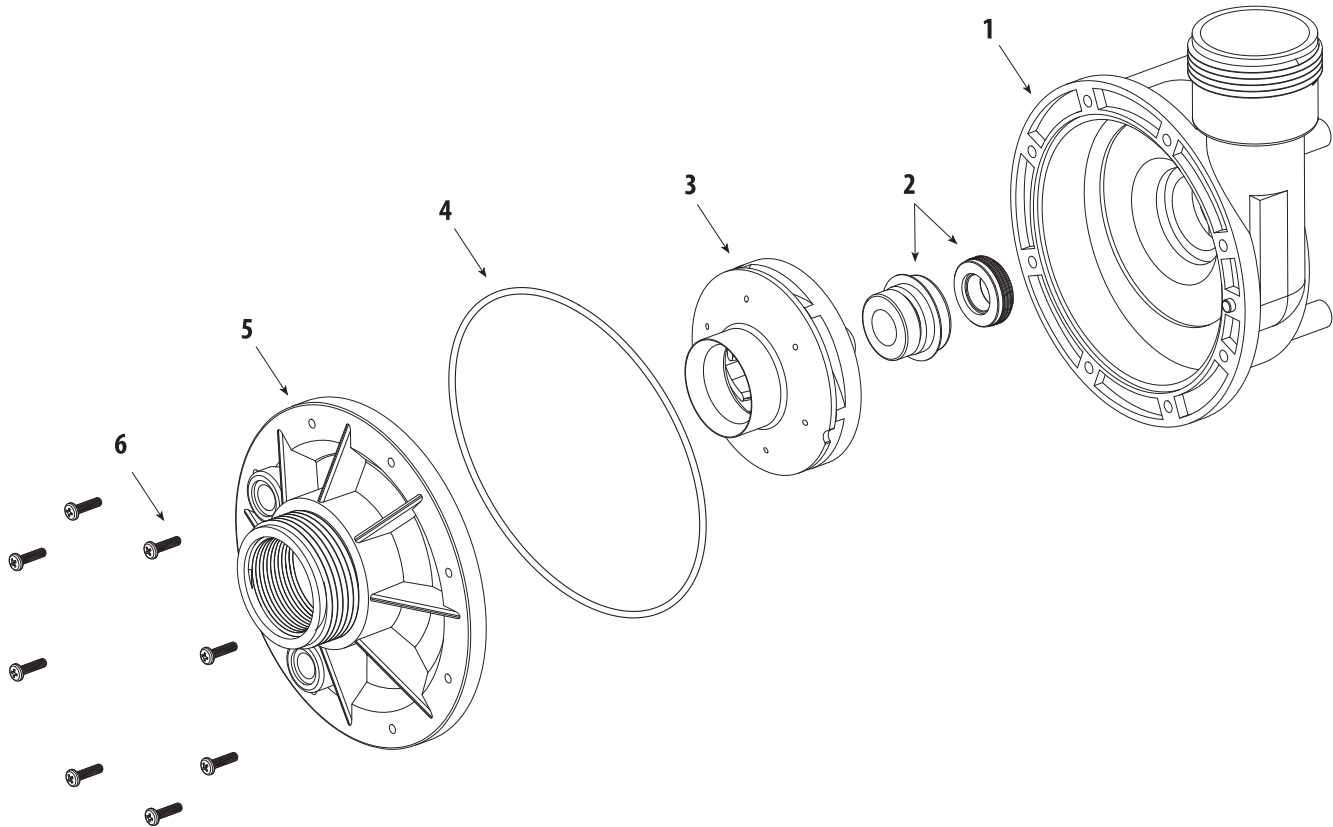
Viper Wet End Replacement Parts

Item	Part No.	Description	List (US \$)
1	715-1201B	3/8" Quarter Slot Pump Drain Plug	3.50
2	805-0112B	O-Ring - Pump Drain Plug	1.41
3	819-1110B	Screw #8-32 (8 required)	2.33
4	311-1510B	Volute Faceplate	51.41
5	805-0264B	Volute O-Ring	**
6	313-3210B	Wear Ring	7.27
7	310-2260B	Impeller Assembly - 2 HP	**
	310-2270B	Impeller Assembly - 3 HP	34.88
	310-2200B	Impeller Assembly - 4 HP	34.88
	310-2620B	Impeller Assembly - 5 HP	40.44
8	319-3090B	Pump Seal Kit	25.34
9	315-1500B	Volute	21.71

** Please request price quote.

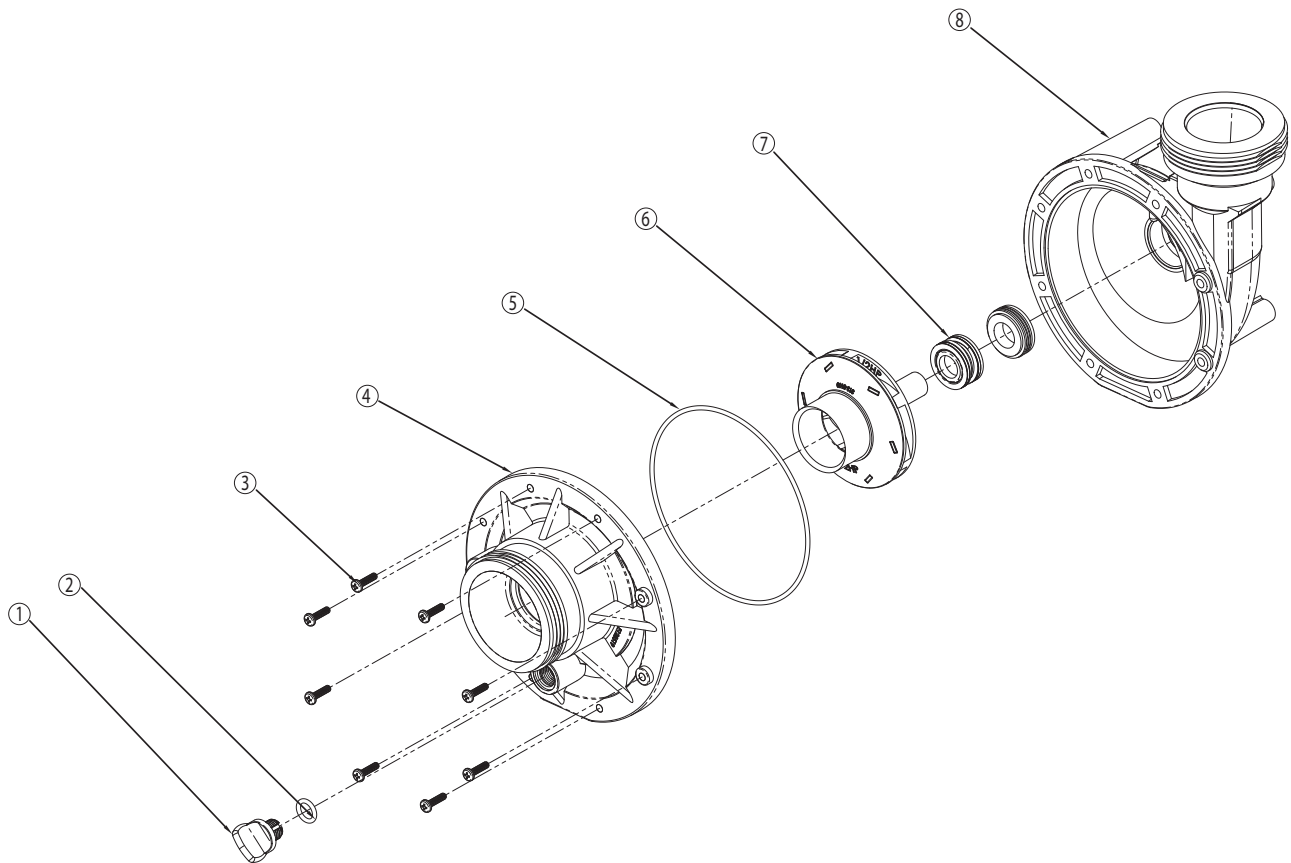


Replacement Parts / Spa Flo and Iron Might Wet End



Spa Flo and Iron Might Wet End Replacement Parts

Item	Part No.	Description	List (US \$)
1	315-1060B	Volute	57.26
2	319-3090B	Pump Seal Kit	25.34
3	310-0900B	Iron Might Impeller Assembly	30.78
	310-4060B	Spa Flo Impeller Assembly - 1 HP	30.16
	310-4070B	Spa Flo Impeller Assembly - 1.5 HP	30.14
	310-4090B	Spa Flo Impeller Assembly - 2 HP	30.14
4	805-0248B	Volute O-Ring	9.86
5	311-1060B	Faceplate	38.37
6	819-1110B	#8-32 Screw (8 required)	2.33



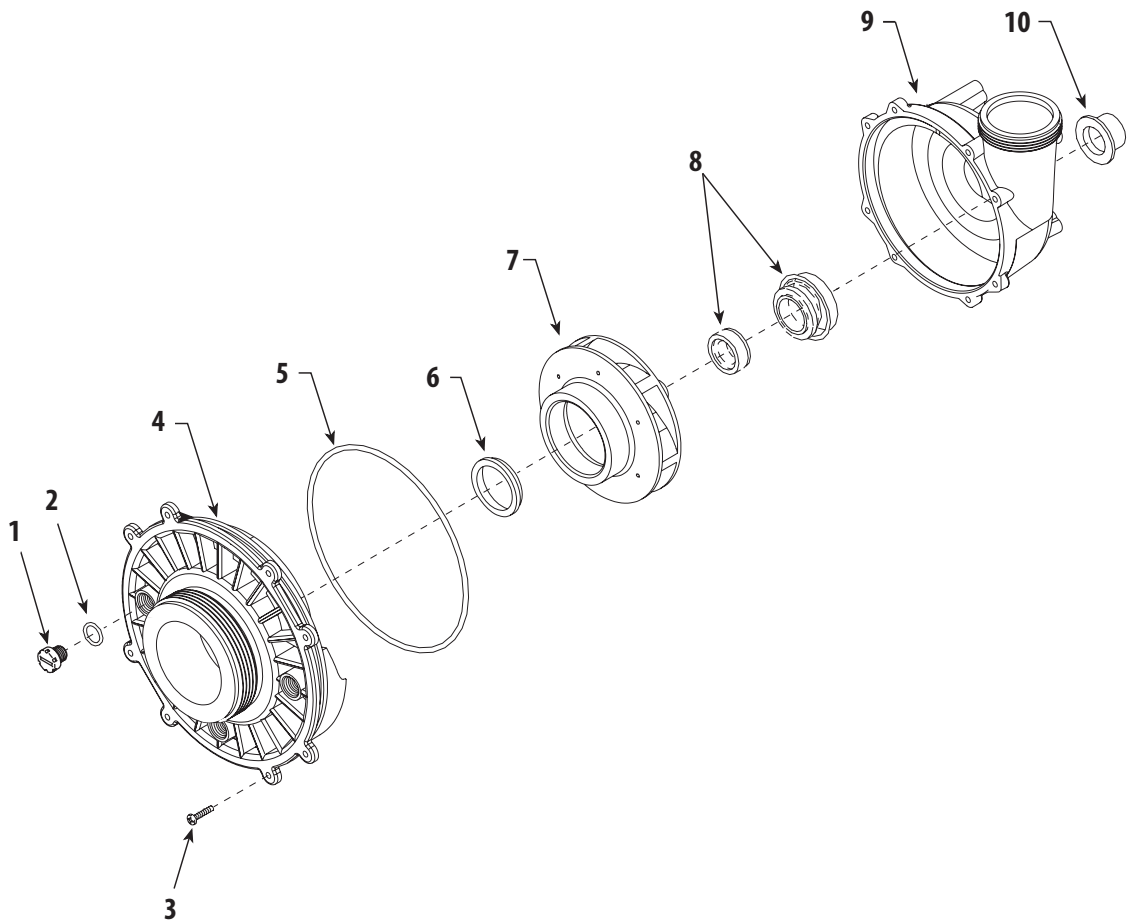
Spa Flo II Wet End Replacement Parts

Item	Part No.	Description	List (US \$)
1	715-4020B	Drain Plug	2.87
2	805-0112B	O-ring - Drain Plug	1.41
3	819-1110B	Screw #8 - 32 x 5/8" PPH 18 - 8	2.33
4	311-2160B	Faceplate 1.5"	40.33
5	805-0158B	O-ring Faceplate	**
6	310-8000B	1/2 HP Impeller Assembly	29.97
	310-8010B	3/4 HP Impeller Assembly	30.14
	310-8020B	1 HP Impeller Assembly	29.97
	310-8030B	1.5 HP Impeller Assembly	30.14
	310-8040B	2 HP Impeller Assembly	30.09
7	319-3090B	Pump Seal Set	25.34
8	315-2510B	Side Discharge Volute 1.5"	54.43

** Please request price quote.



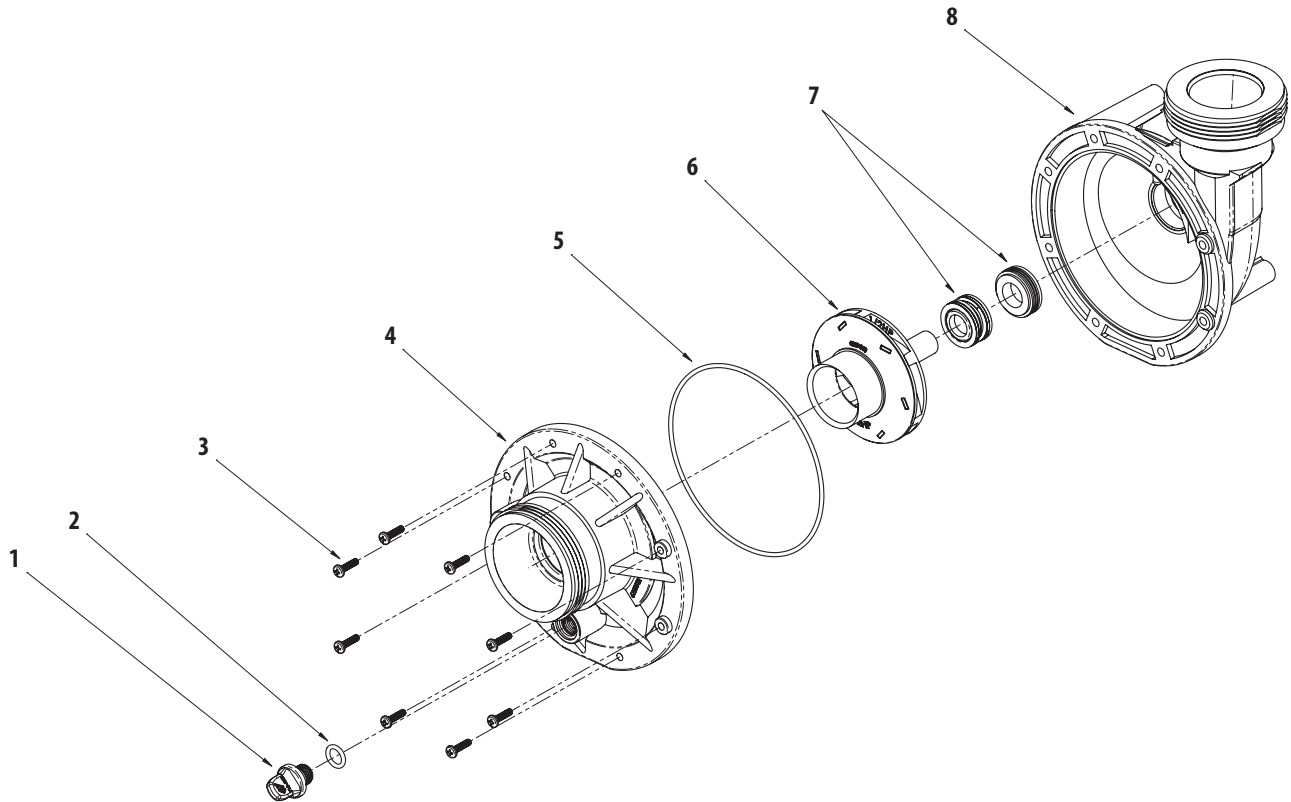
Replacement Parts / Hi-Flo Side Discharge Wet End



Hi-Flo Side Discharge Wet End Replacement Parts

Item	Part No.	Description	List (US \$)
1	715-1201B	3/8" Quarter Slot Drain Plug	3.50
2	805-0112B	O-Ring - Pump Drain Plug	1.41
3	819-1110B	Screw	2.33
4	311-2140B	2" Intake Faceplate	42.48
5	805-0256B	O-Ring - Faceplate	6.19
6	319-1390B	Wear Ring	8.82
7	310-4000B	1 HP Impeller "C" Assembly	30.77
	310-4010B	1 1/2 HP Impeller "D" Assembly	30.79
	310-4030B	2 HP Impeller Assembly	30.79
	310-4020B	3 HP Impeller Assembly	30.79
	310-4050B	4 HP Impeller Assembly	30.79
8	319-3100B	Pump Seal Kit	25.34
9	315-2500B	Side Discharge Volute with Inserts	**
10	313-1400B	Slinger	2.11

** Please request price quote.



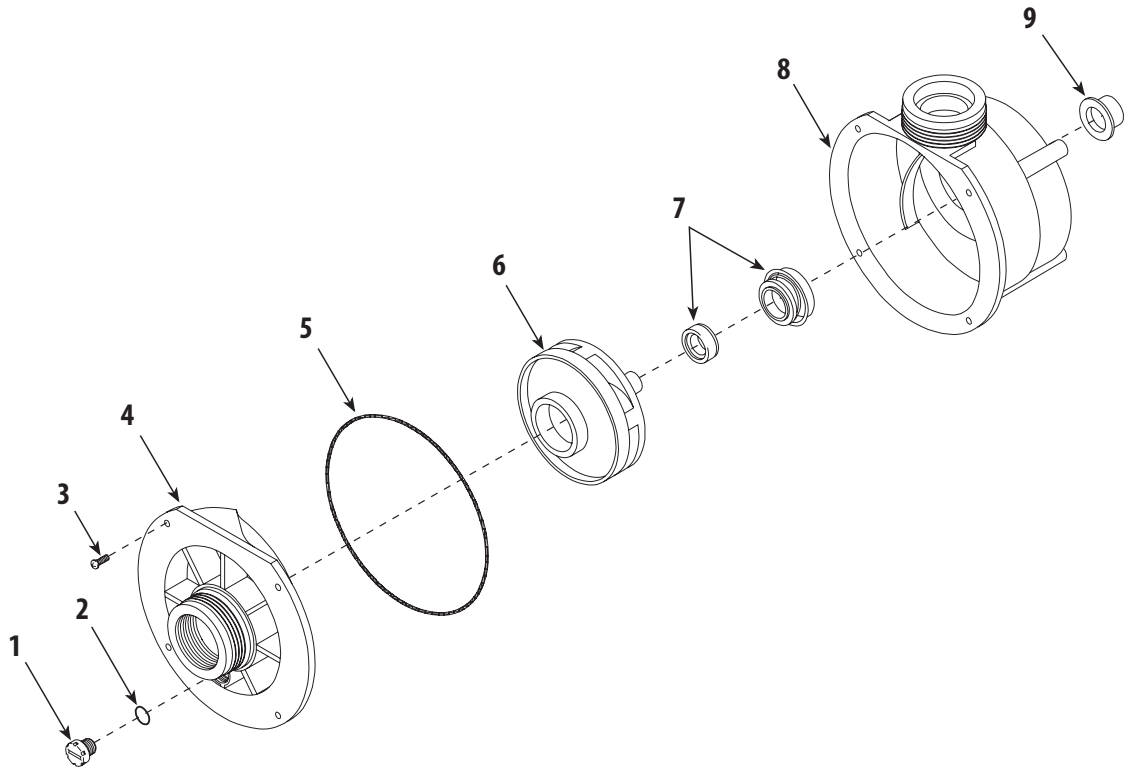
Hi-Flo II Side Discharge Wet End Replacement Parts

Item	Part No.	Description	List (US \$)
1	715-4020B	Drain Plug	2.87
2	805-0112B	O-ring - Drain Plug	1.41
3	819-1110B	Screw #8 - 32 x 5/8" PPH 18 - 8	2.33
4	311-2170B	Faceplate 2"	39.35
5	805-0158B	O-ring Faceplate	**
6	310-8000B	1/2 HP Impeller Assembly	29.97
	310-8010B	3/4 HP Impeller Assembly	30.14
	310-8020B	1 HP Impeller Assembly	29.97
	310-8030B	1.5 HP Impeller Assembly	30.14
	310-8040B	2 HP Impeller Assembly	30.09
7	319-3090B	Pump Seal Set	25.34
8	315-2520B	Side Discharge Volute 2"	**

** Please request price quote.



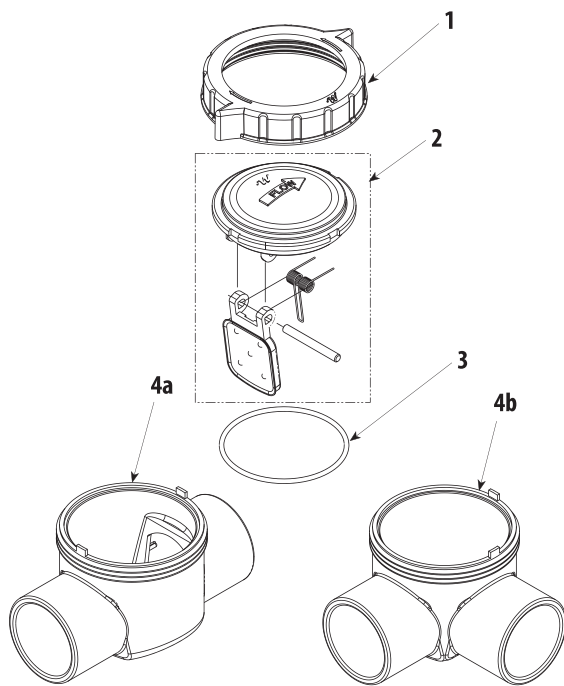
Replacement Parts / Center Discharge Wet End (2010 and Earlier)



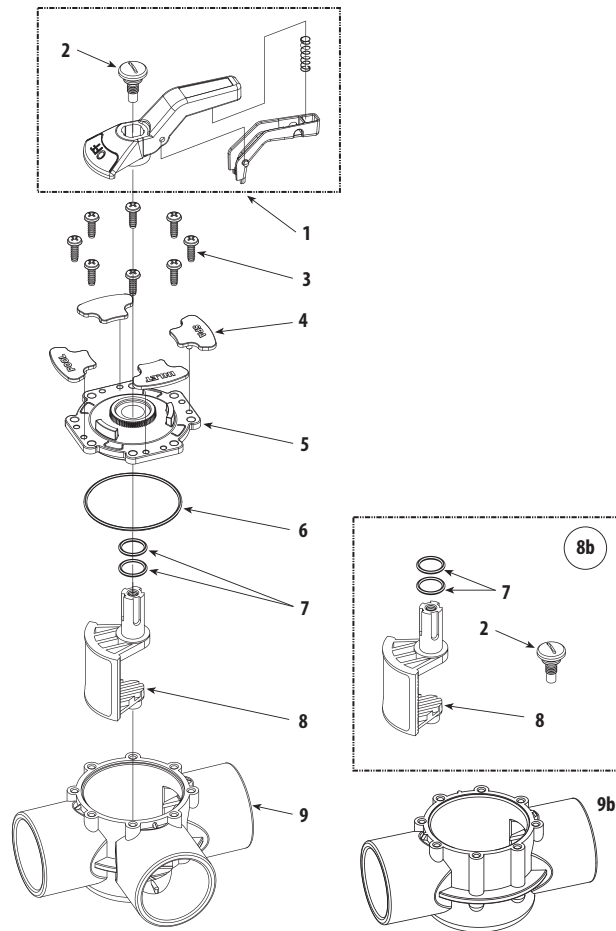
Center Discharge Wet End Replacement Parts

Item	Part No.	Description	List (US \$)
1	715-1201B	3/8" Quarter Slot Drain Plug	3.50
2	805-0112B	O-Ring - Pump Drain Plug	1.41
3	819-1110B	Screw #8-32	2.33
4	311-1110B	Faceplate - Spa Series	**
5	805-0252B	O-Ring - Faceplate	5.70
6	310-5120B	3/4 HP Impeller Assembly	30.79
	310-5130B	1 HP Impeller Assembly	**
	310-5140B	1 1/2 HP Impeller Assembly	30.79
	310-5200B	2 HP Impeller Assembly	30.79
7	319-3100B	Pump Seal Kit	25.34
8	315-1120B	Spa & Bath Volute	41.62
9	313-1400B	Slinger	2.11

** Please request price quote.



TruSeal Serviceable Check Valve



TruSeal Diverter Valve

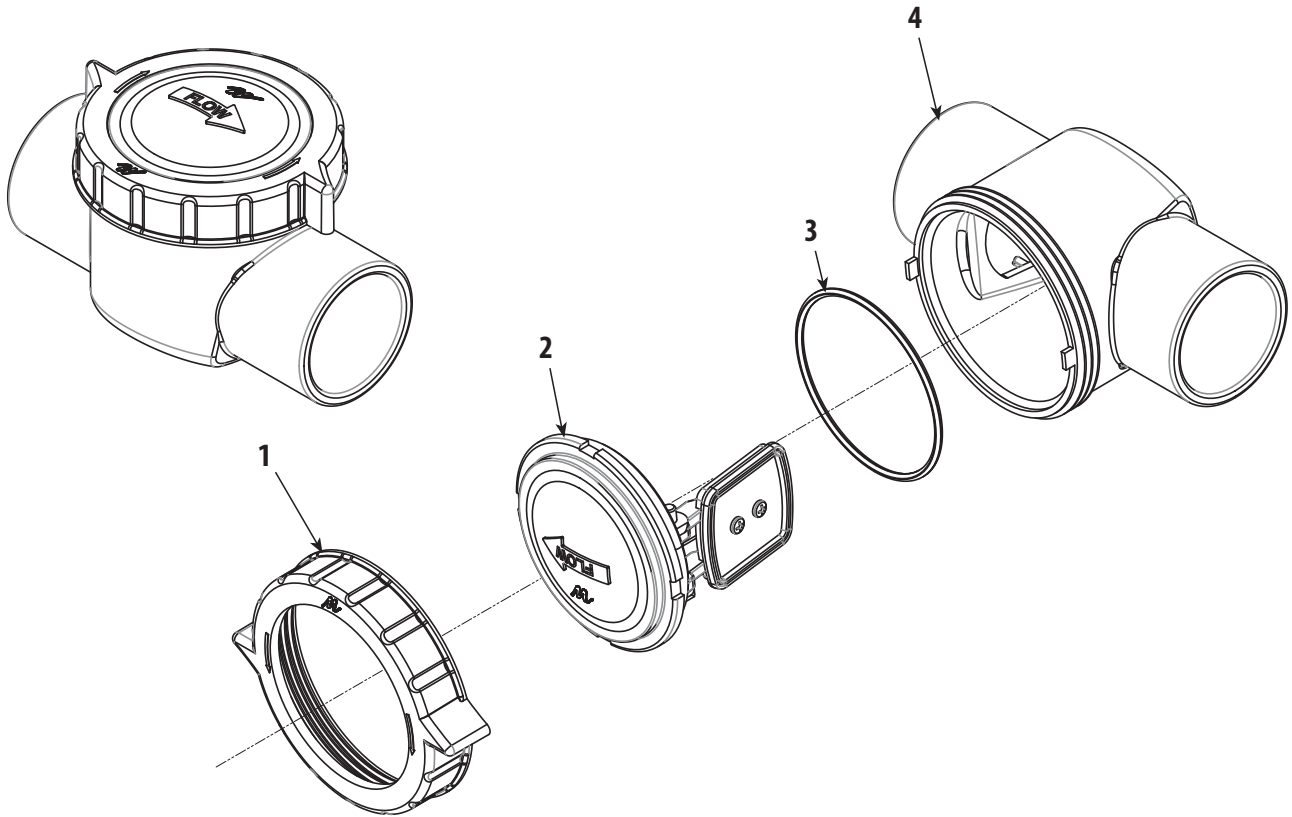
TruSeal Serviceable Check Valve Replacement Parts

Item	Part No.	Description	List (US \$)
1	718-7027B	Nut	**
2	600-7300B	Lid Assembly	35.50
3	805-0239B	O-Ring - Lid	1.66
4a	602-7070B	Valve Body	**
4b	602-7000B	Ell Valve Body	**

TruSeal Diverter Valve Replacement Parts

Item	Part No.	Description	List (US \$)
1	600-7171B	Handle Assembly <i>(sold as Assembly Only)</i>	29.39
2	715-1307B	Screw - Handle	6.11
3	819-0025B	Screw - 14 & 3/4" Phil Pan.	1.99
4	600-7180B	Flow Label Assembly	**
5	602-7251B	Lid	15.45
6	805-0151B	O-Ring - Lid	4.00
7	805-0116EPB	O-Ring <i>(2 required per Valve)</i>	0.94
8	602-7140B	Diverter Arm	11.83
8b	600-7160B	Diverter Kit	41.68
9	602-7200B	Body	**
9b	602-7071B	Body Straight 1 1/2" spg	32.70
-	602-7011B	Body Straight 2 1/2" spg	32.70

** Please request price quote.

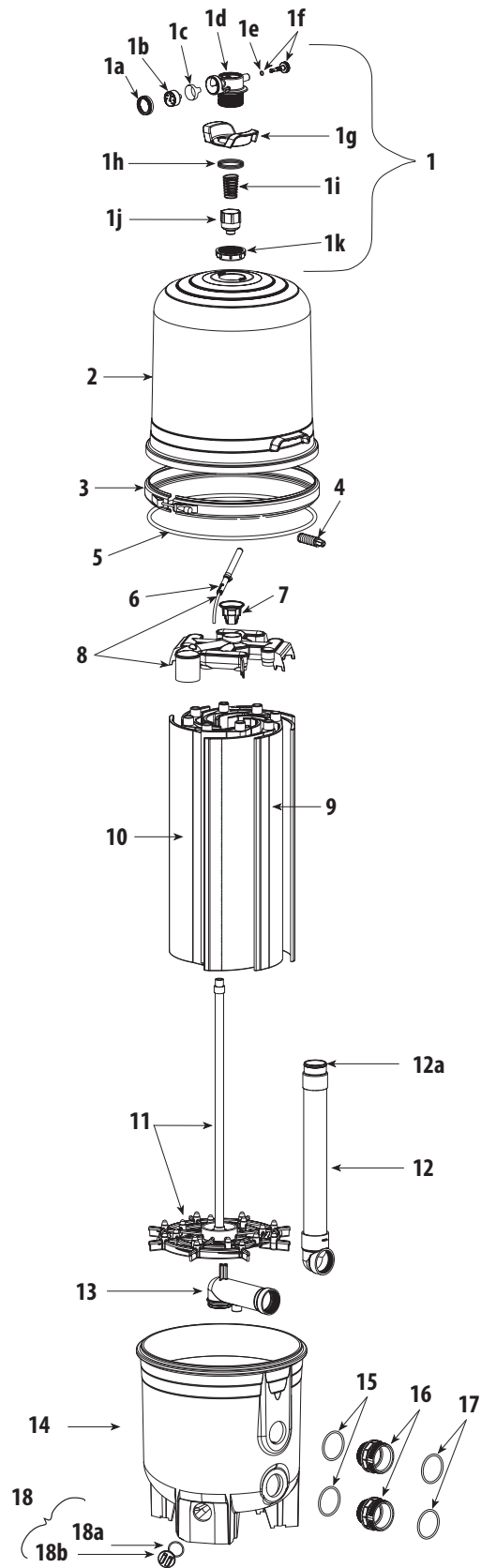


TruSeal 3" Check Valve Replacement Parts

Item	Part No.	Description	List (US \$)
1	718-7031-CPVCB	Threading Nut	14.02
2	605-0111B	Lid and Flapper Assembly	60.34
3	805-0241B	O-Ring, #2-241, 3.859 I.D x 4.137 O.D. x .139 W	2.83
4	602-0121B	Body, Check Valve, 2.5 S/3" SPG x 2.5 S/3" SPG	47.96



Replacement Parts / Crystal Water D.E. Filter



Replacement Parts



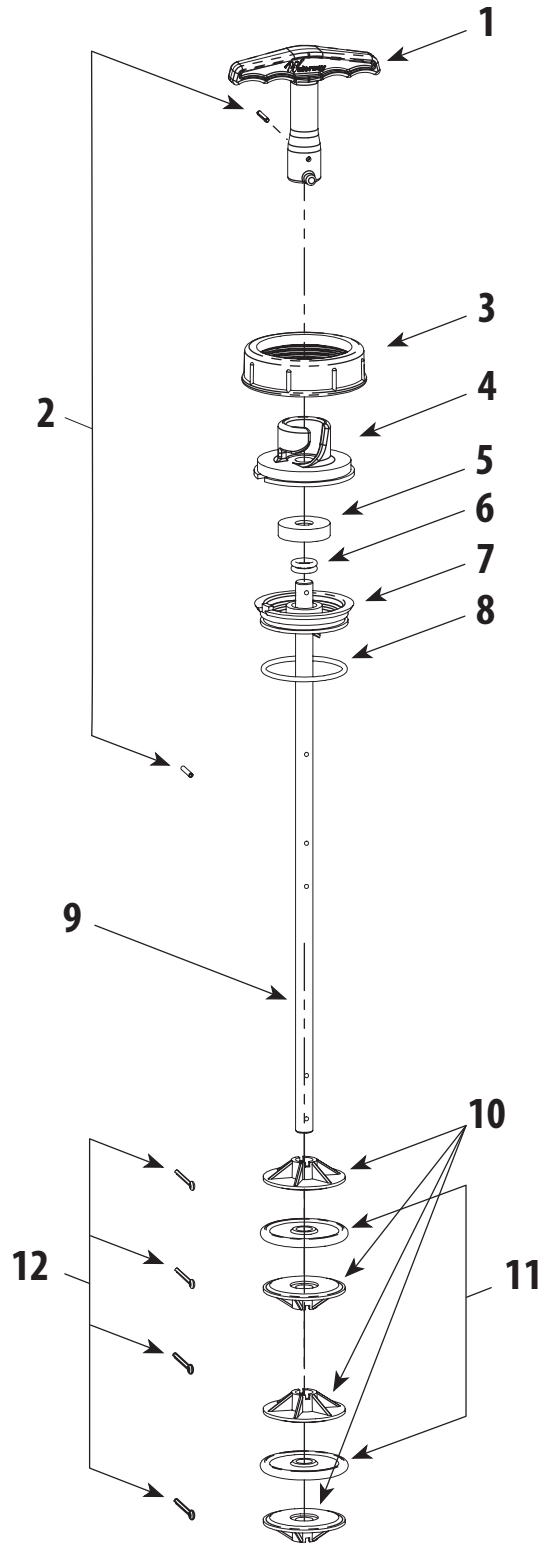
Crystal Water D.E. Filter Replacement Parts

Item	Part No.	Description	List (US \$)
1	550-4230B	Pressure Relief Valve Assembly	103.96
1a	600-4101B	Bezel Assembly - Pressure Gauge	13.38
1b	830-4000SSB	Pressure Gauge	**
1c	711-1670B	Rubber Boot - Pressure Gauge	2.58
1d	519-4281B	Air Relief Valve Body	63.57
1e	805-0110B	O-Ring - ½" Air Control	3.29
1f	550-4240B	Pressure Relief Screw with O-Ring	6.37
1g	602-4201B	Handle - Air Relief Valve	33.11
1h	805-0233B	O-Ring - Filter Handle (2 required)	**
1i	827-8150B	Spring - Water Bypass Valve	11.71
1j	519-4370B	Plunger	11.73
1k	718-4201B	Air Relief Valve Nut	7.96
2	550-4450B	Filter Lid with D.E. Crystal Water Filter Labels - 36 sq. ft.	429.25
	550-4430B	Filter Lid with D.E. Crystal Water Filter Labels - 48 sq. ft.	495.31
	550-4440B	Filter Lid with D.E. Crystal Water Filter Labels - 60 sq. ft.	561.29
3	550-4260B	Metal Clamp with Clamp Spring Assembly	**
4	550-4250B	Clamp Spring Assembly	**
5	805-0000B	O-Ring - Main Body	28.43
6	550-4320B	Air Relief Assembly	40.96
7	718-4320B	Manifold Nut	7.81
8	550-4200B	D.E. Manifold Assembly with Air Relief Assembly	112.68
--	550-4110B	D.E. Grid and Manifold Assembly with Air Relief Assembly - 36 sq. ft.	516.87
--	550-4120B	D.E. Grid and Manifold Assembly with Air Relief Assembly - 48 sq. ft.	590.35
--	550-4130B	D.E. Grid and Manifold Assembly with Air Relief Assembly - 60 sq. ft.	698.35
9	818-3940B	D.E. Short Grid with Mesh Assembly - 36 sq. ft.	58.10
	818-3900B	D.E. Short Grid with Mesh Assembly - 48 sq. ft.	68.47
	818-3920B	D.E. Short Grid with Mesh Assembly - 60 sq. ft.	79.63
10	818-3950B	D.E. Full Grid with Mesh Assembly - 36 sq. ft.	54.49
	818-3910B	D.E. Full Grid with Mesh Assembly - 48 sq. ft.	63.62
	818-3930B	D.E. Full Grid with Mesh Assembly - 60 sq. ft.	**
11	550-4380B	D.E. Grid Support Assembly with 20" PVC Shaft - 36 sq. ft.	42.49
	550-4310B	D.E. Grid Support Assembly with 26" PVC Shaft - 48 sq. ft.	54.51
	550-4350B	D.E. Grid Support Assembly with 32" PVC Shaft - 60 sq. ft.	59.50
12	550-4390B	2 ½" Outlet Elbow Assembly - 36 sq. ft. D.E. Filter	99.04
	550-4220B	2 ½" Outlet Elbow Assembly - 48 sq. ft. D.E. Filter	99.06
	550-4210B	2 ½" Outlet Elbow Assembly - 60 sq. ft. D.E. Filter	132.75
12a	805-0145B	O-Ring - 2" Tailpiece	1.40
13	550-4410B	Long Elbow Fitting - 2 ½" diameter	77.16
14	515-4207B	Filter Body Base	561.30
15	805-0339B	O-Ring (2 required)	9.45
16	419-4201B	2 ½" Bulkhead Fitting (2 required)	38.88
17	711-4200B	2 ½" Beveled Gasket (2 required)	5.78
18	400-6621B	Drain Assembly (<i>New Style</i>)	3.05
18a	805-0224B	Drain O-Ring (224) (<i>New Style</i>)	1.41
18b	715-6611B	Drain Plug - 1 ½" MPT (<i>New Style</i>)	3.04
--	500-5310B	Drain Assembly (Plug, O-Rings, Base Fitting) (<i>Old Style 2 - not shown</i>)	**
--	400-6601B	Drain Plug with O-Ring (<i>Old Style 2 - not shown</i>)	2.87

** Please request price quote.



Replacement Parts / Slide Valve Internals



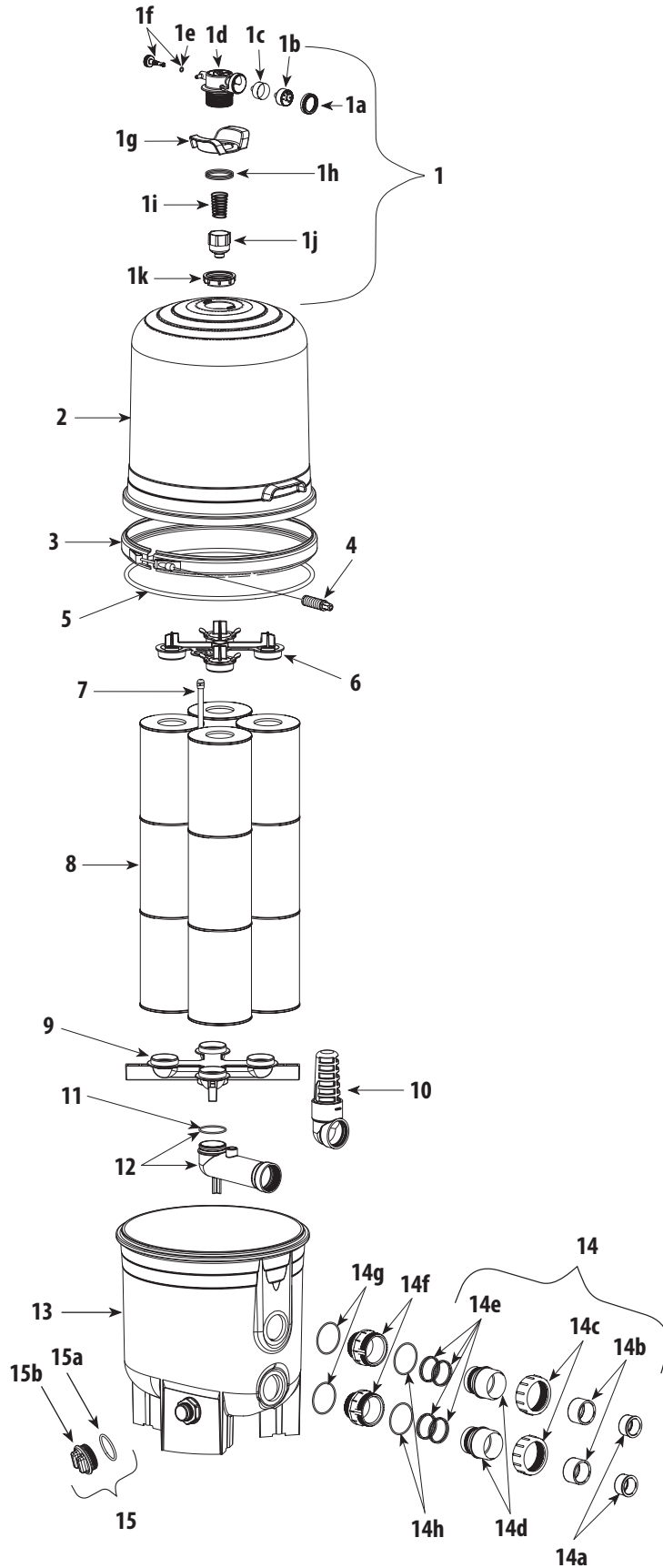


Slide Valve Internals Replacement Parts			
Item	Part No.	Description	List (US \$)
1	505-1010B	Handle	**
2	802-0009B	Split Pin - Qty. 2	7.25
3	415-5091-CPVCB	2" Nut	**
4	505-1020B	Indexing Cap	**
5	505-1040B	O-Ring Cap	**
6	805-0206B	New O-Ring	6.40
7	505-1030B	Washer	**
8	805-0228B	New O-Ring	6.40
9	820-1050B	Piston Rod	**
10	505-1060B	Piston O-Ring Housing - Qty. 4	**
11	806-1000B	Gasket O-Ring - Qty. 2	7.60
12	802-1050B	1/8" Cotter Pin, 1.5" Long - Qty. 4	2.24

** Please request price quote.



Replacement Parts / Crystal Water Cartridge Filter



Replacement Parts



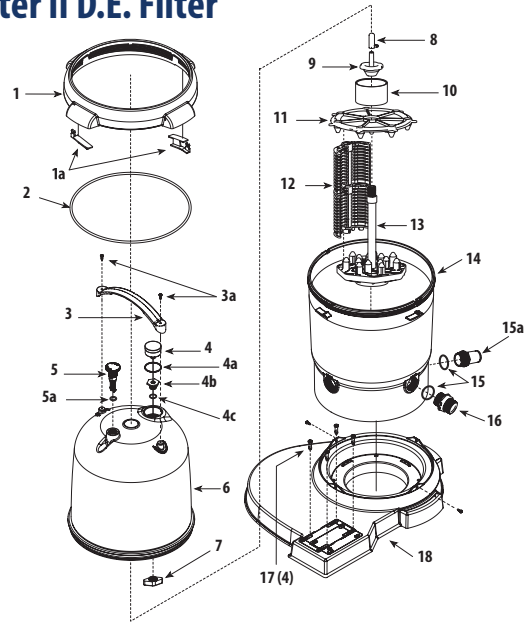
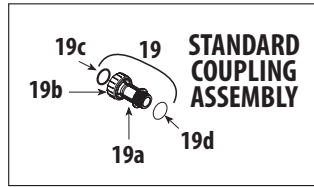
Crystal Water Cartridge Filter Replacement Parts

Item	Part No.	Description	List (US \$)
1	550-4230B	Pressure Relief Valve Assembly	103.96
1a	600-4101B	Bezel Assembly - Pressure Gauge	13.38
1b	830-4000SSB	Pressure Gauge	**
1c	711-1670B	Rubber Boot - Pressure Gauge	2.58
1d	519-4281B	Air Relief Valve Body	63.57
1e	805-0110B	O-Ring - ½" Air Control	3.29
1f	550-4240B	Pressure Relief Screw with O-Ring	6.37
1g	602-4201B	Handle - Air Relief Valve	33.11
1h	805-0233B	O-Ring - Handle (2 required)	**
1i	827-8150B	Spring - Water Bypass Valve	11.71
1j	519-4370B	Plunger	11.73
1k	718-4201B	Air Relief Valve Nut	7.96
2	550-4460B	Filter Lid with Cartridge Crystal Water Filter Labels - 325 sq. ft.	420.83
	550-4470B	Filter Lid with Cartridge Crystal Water Filter Labels - 425 sq. ft.	485.56
	550-4480B	Filter Lid with Cartridge Crystal Water Filter Labels - 525 sq. ft.	572.32
3	550-4780B	Metal Clamp with Clamp Spring Assembly	439.65
4	550-4250B	Clamp Spring Assembly	**
5	805-0000B	O-Ring - Main Body	28.43
6	519-4320B	Cartridge Manifold Plug	36.82
7	550-4370B	Air Relief Assembly with Tube - 325 sq. ft.	33.99
	550-4340B	Air Relief Assembly with Tube - 425 sq. ft.	45.86
	550-4330B	Air Relief Assembly with Tube - 525 sq. ft.	56.15
8	817-0081B	Cartridge - 325 sq. ft. - 7" OD x 20" L (4 required)	178.29
	817-0106B	Cartridge - 425 sq. ft. - 7" OD x 26 ½" L (4 required)	198.11
	817-0131B	Cartridge - 525 sq. ft. - 7" OD x 32 ½" L (4 required)	222.37
9	550-4300B	Cartridge Manifold Assembly	103.16
10	550-4500B	Intake Diffuser Assembly	54.51
11	805-0230B	O-Ring	0.77
12	550-4360B	Long Elbow with Venturi Air Bleeder and O-Ring	82.53
13	550-4400B	Filter Body with Labels	**
14	400-9974B	Fittings Pack - Fitting Nuts, O-Ring, 2 ½" to 2" Reducers	85.00
14a	421-4071B	Reducer - 1 ½" to 2"	3.36
14b	421-4201B	Reducer - 2 ½" to 2"	7.18
14c	415-4211B	2 ½" Union Nut (2 required)	**
14d	417-2201B	2 ½" Tailpiece with Piston O-Ring Groove (2 required)	8.01
14e	805-0232B	O-Ring - 2 ½" Union (4 required - 2 for each Bulkhead)	2.13
14f	419-4201B	2 ½" Bulkhead Coupler (2 required)	38.88
14g	805-0339B	O-Ring (2 required)	9.45
14h	711-4200B	2 ½" Beveled Gasket (2 required)	5.78
15	400-6621B	Drain Assembly (<i>New Style</i>)	3.05
15a	805-0224B	Drain O-Ring (224) (<i>New Style</i>)	1.41
15b	715-6611B	Drain Plug - 1 ½" MPT (<i>New Style</i>)	3.04
--	500-5310B	Drain Assembly (Plug, O-Rings, Base Fitting) (<i>Old Style 2 - not shown</i>)	**
--	400-6601B	Drain Plug with O-Ring (<i>Old Style 2 - not shown</i>)	2.87
--	400-6610B	Drain Elbow Assembly (<i>Old Style 1 - not shown</i>)	**

** Please request price quote.



Replacement Parts / ClearWater II D.E. Filter



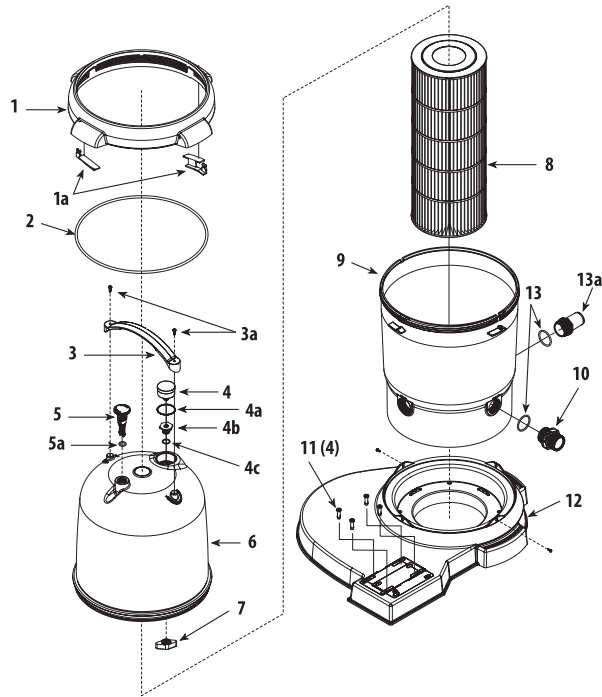
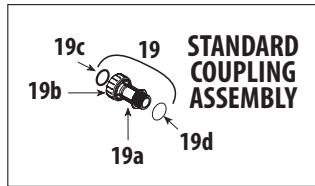
ClearWater II D.E. Filter Replacement Parts

Item	Part No.	Description	List (US \$)
1	550-7500B	Filter Nut Assembly	101.16
1a	519-7420B	Lock Tab - Clearwater II Filter - Extended Arms	28.04
2	805-0460B	O-Ring - Lid	19.00
3	519-7601B	Handle - Lid	14.87
3a	819-9002B	Screw #12 x 3/4" Stainless Steel Phillips Head	0.69
4	830-4000SSB	Pressure Gauge	**
4a	805-0224B	O-Ring - Gauge	1.41
4b	519-7431B	Pressure Gauge Adapter	5.22
4c	805-0117SDB	O-Ring - Pressure Gauge Adapter	**
5	602-0201B	Air Relief Knob	9.87
5a	805-0207B	O-Ring - Air Relief Valve	4.17
6	519-7410B	Lid Assembly (<i>Small</i>)	**
	519-7400B	Lid Assembly (<i>Large</i>)	**
7	519-7441B	Gauge Lock-Nut	17.96
8	500-7310B	Screen/Sock Assembly with Clamp	17.55
9	718-7219B	Tie Nut	12.28
10	519-7491B	Sleeve	6.45
11	519-7269B	Grid Locator	52.73
12	550-7210B	D.E. Replacement Grid (44 GPM) (set of 7 included)	255.05
	550-7220B	D.E. Replacement Grid (67 GPM) (set of 7 included)	327.85
13	550-7100B	Base Assembly - 12 sq. ft. (44 GPM)	115.45
	550-7120B	Base Assembly - 18 sq. ft. (67 GPM)	**
14	515-7250B	Filter Body	605.36
15	805-0224B	O-Ring	1.41
15a	417-6241B	Hose Adapter - 1 1/2" MPT x 1 1/2" hose	3.63
16	500-5300B	Drain Assembly	11.79
17	429-7221B	Snap Pin Base Fasteners (4 required)	3.13
18	672-7401B	ClearWater II Base	181.96
--	519-7470B	Lid Removal Tool	5.55
19	419-7251	Standard Base Coupling Assembly	20.47
19a	419-7241	Standard Coupling	15.58
19b	415-5001	2" Union Nut	3.89
19c	711-4010	2" Union Gasket	1.38
19d	805-0224	O-Ring - Coupling	0.62

** Please request price quote.



Replacement Parts / ClearWater II Cartridge Filter



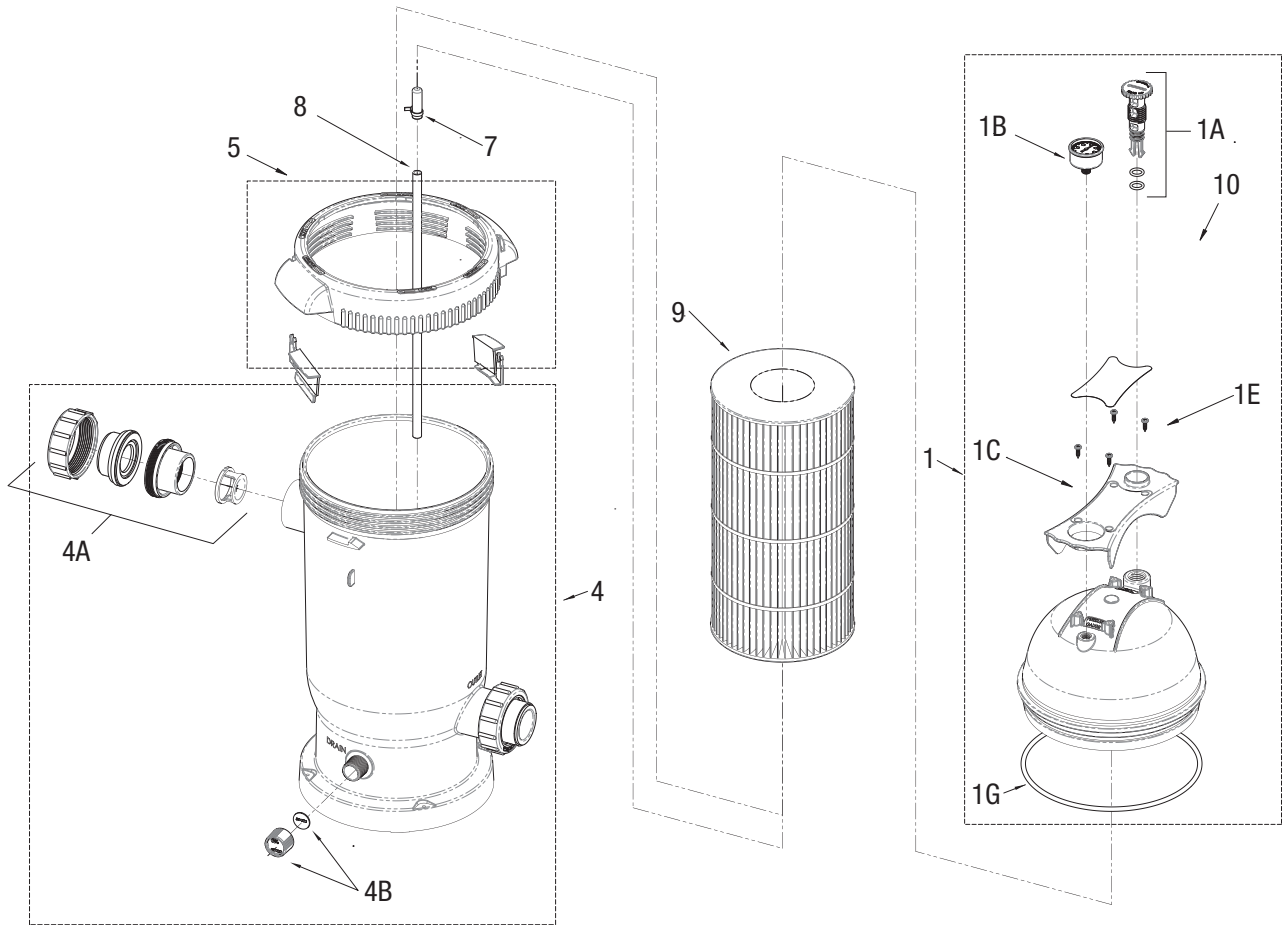
ClearWater II Cartridge Filter Replacement Parts

Item	Part No.	Description	List (US \$)
1	550-7500B	Filter Locknut Assembly	101.16
1a	519-7420B	Lock Tab - Clearwater II Filter - Extended Arms	28.04
2	805-0460B	O-Ring - Lid	19.00
3	519-7601B	Handle - Lid	14.87
3a	819-9002B	Screw #12 x 3/4" Stainless Steel Phillips Head	0.69
4	830-4000SSB	Pressure Gauge	**
4a	805-0136B	O-Ring - Air Relief	1.22
4b	519-7431B	Pressure Gauge Adapter	5.22
4c	805-0116EPB	O-Ring - Adapter	0.94
5	602-0201B	Air Relief Knob	9.87
5a	805-0207B	O-Ring - Air Relief Valve	4.17
6	519-7410B	Lid Assembly (<i>Small</i>)	**
	519-7400B	Lid Assembly (<i>Large</i>)	**
7	519-7441B	Gauge Lock-Nut	17.96
8	817-0075PB	Filter Cartridge - 75 sq. ft. - 8 15/16" OD x 17 3/8" L	194.07
	817-0100PB	Filter Cartridge - 100 sq. ft. - 8 15/16" OD x 17 3/8" L	231.00
	817-0125NB	Filter Cartridge - 125 sq. ft. - 8 15/16" OD x 23 5/16" L	245.63
	817-0150NB	Filter Cartridge - 150 sq. ft. - 8 15/16" OD x 23 5/16" L	330.55
	817-0200NB	Filter Cartridge - 200 sq. ft. - 8 15/16" OD x 23 5/16" L	**
9	515-7250B	Filter Body	605.36
10	500-5300B	Drain Assembly	11.79
11	429-7221B	Snap Pin Base Fasteners (4 required)	3.13
12	672-7401B	ClearWater II Base	181.96
13	805-0224B	O-Ring	1.41
13a	417-6241B	Hose Adapter - 1-1/2" MPT x 1-1/2" hose	3.63
--	519-7470B	Lid Removal Tool	5.55
19	419-7251	Standard Base Coupling Assembly	20.47
19a	419-7241	Standard Coupling	15.58
19b	415-5001	2" Union Nut	3.89
19c	711-4010	2" Union Gasket	1.38
19d	805-0224	O-Ring - Coupling	0.62

** Please request price quote.



Replacement Parts / ProClean Plus Cartridge Filter



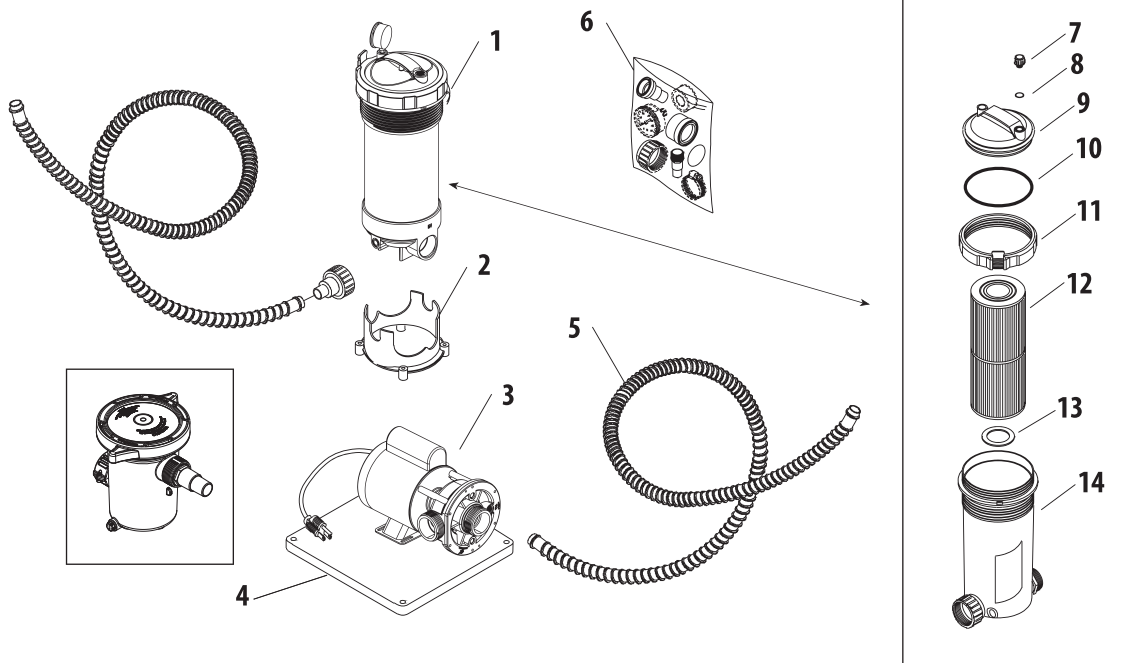
ProClean Plus Cartridge Filter Replacement Parts

Item	Part No.	Description	List (US \$)
1	550-0611	Filter Lid & Handle Assembly – 75 - 100 sq. ft. (includes #1A - 1G)	271.24
	550-0621	Filter Lid & Handle Assembly – 125 - 150 sq. ft. (includes #1A - 1G)	298.00
	550-0631	Filter Lid & Handle Assembly – 175 - 200 sq. ft. (includes #1A - 1G)	328.31
1a	600-0220	ProClean Plus Air Relief Valve w/ O-Ring	7.56
4	550-0601B	Filter Body & Lock ring Assy (includes #4A-4B)	545.53
4a	400-5961-2B	2 ½" Union with 2" S TP with Gasket & Reducer for ProClean	30.51
4b	550-0260	ProClean Plus Drain Cap with Gasket Assembly	5.14
5	550-0701B	Lock Ring Assembly	114.75
7	500-7310B	Screen/Sock with Clamp Assy	17.55
	872-4000EB	Air Bleed Tube - 75 / 100 sq. ft.	6.76
	872-4000LB	Air Bleed Tube - 125 / 150 sq. ft.	12.78
8	872-4000FB	Air Bleed Tube - 175 / 200 sq. ft.	10.15
	817-0075NB	Filter Cartridge - 75 sq. ft.	**
	817-0100NB	Filter Cartridge - 100 sq. ft.	**
9	817-0125NB	Filter Cartridge - 125 sq. ft.	245.63
	817-0150NB	Filter Cartridge - 150 sq. ft.	330.55
	817-0175NB	Filter Cartridge - 175 sq. ft.	**
	817-0200NB	Filter Cartridge - 200 sq. ft.	**

** Please request price quote.



Replacement Parts / TWM Cartridge Filter Package



TWM Filter Package Replacement Parts

Item	Part No.	Description	List (US \$)
1	500-2515B	Top Load Filter with Union - 25 sq. ft.	221.70
	500-5015B	Top Load Filter with Union - 50 sq. ft.	241.57
2	672-1051B	Filter Mount Base	15.80
3	--	Pump (see Center Discharge Pumps, page 21)	**
4	672-1010B	Base - 1" x 14 1/2" x 15"	36.75
5	872-9002B	Corrugated Hose - 1 1/2" x 6 ft.	20.98
6	400-9900B	Fitting Package (see below for package contents)	173.45
7	715-1001B	Air Relief Plug	3.99
8	805-0114B	O-Ring - Air Relief Plug	1.40
9	550-5100DB	Top Load Filter Lid Assembly with Plugs and O-Rings	36.20
10	805-0360B	O-Ring - Top Load Filter Lid	7.58
11	500-1000B	Lock Ring Assembly	19.52
12	817-5000B	Top Load Filter Cartridge - 50 sq. ft. - 4 15/16" OD x 13 5/16" L	103.03
	817-2500B	Top Load Filter Cartridge - 25 sq. ft. - 4 15/16" OD x 13 5/16" L	60.22
13	711-1010B	Spacer Ring	3.96
14	550-2515B	Filter Body Assembly - 25 & 50 sq. ft.	202.04
15	310-5400B	6" Leaf Trap 1 1/2" x 1 1/2"	95.15

Fittings Package Contents (Item 6)

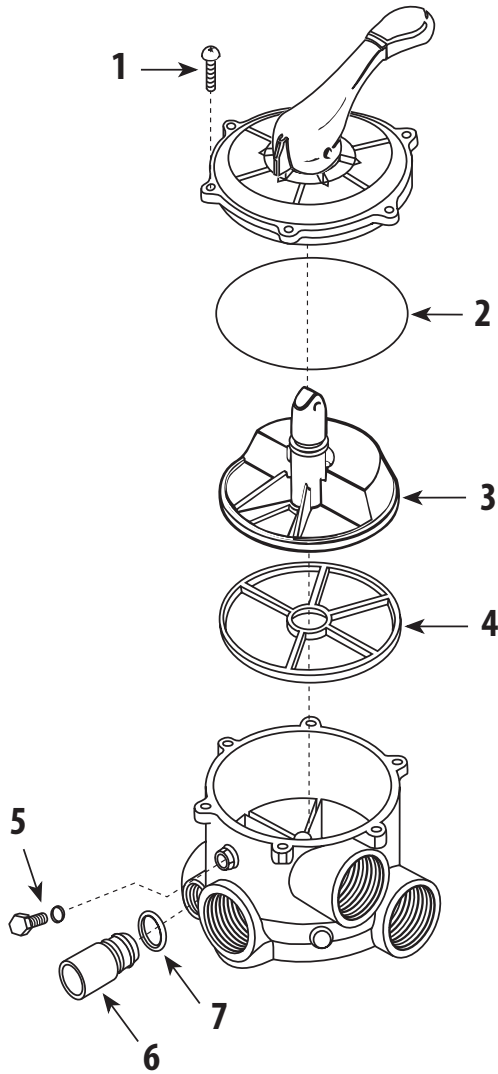
Item	Part No.	Description	List (US \$)
--	830-3000B	Pressure Gauge	25.97
--	872-0011B	2 1/2" Hose Clamp (4 required)	**
--	902-2000B	Teflon Tape - 1/2" x 260" roll	6.30
--	417-4001B	Tailpiece - 1 1/2" S	3.57
--	417-6041B	Hose Adapter Fitting - 1 1/2" TP - 1 1/2" x 1 1/4" H	2.80
--	415-4001B	1 1/2" Union Nut	2.62
--	805-0226B	O-Ring (2 required)	0.76
--	417-6061B	Hose Adapter Fitting - 1 1/2" MPT x 1 1/4" Hose	3.17

** Please request price quote.

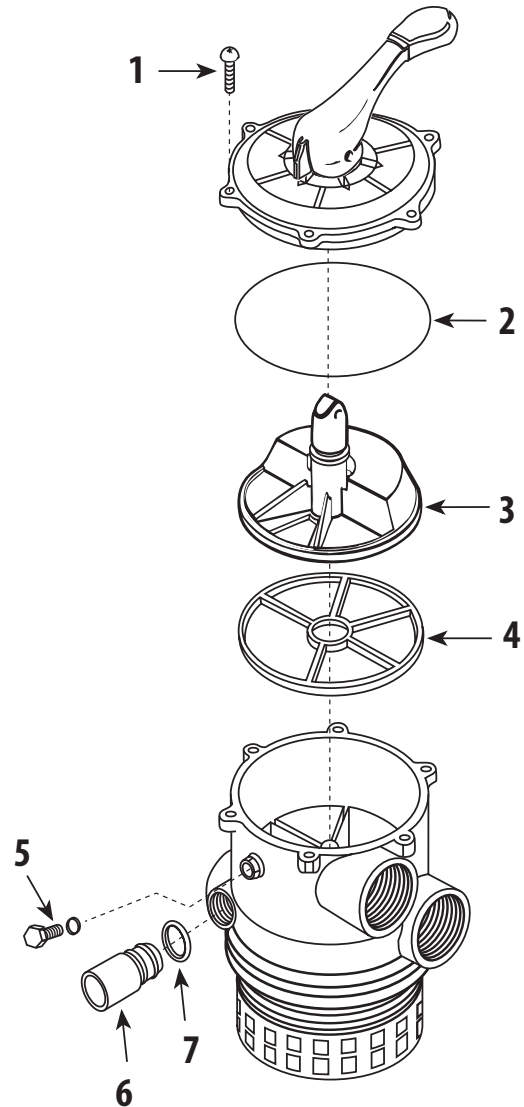


Replacement Parts / Multi-Port Valves - Side Mount and Top Mount

SIDE MOUNT



TOP MOUNT



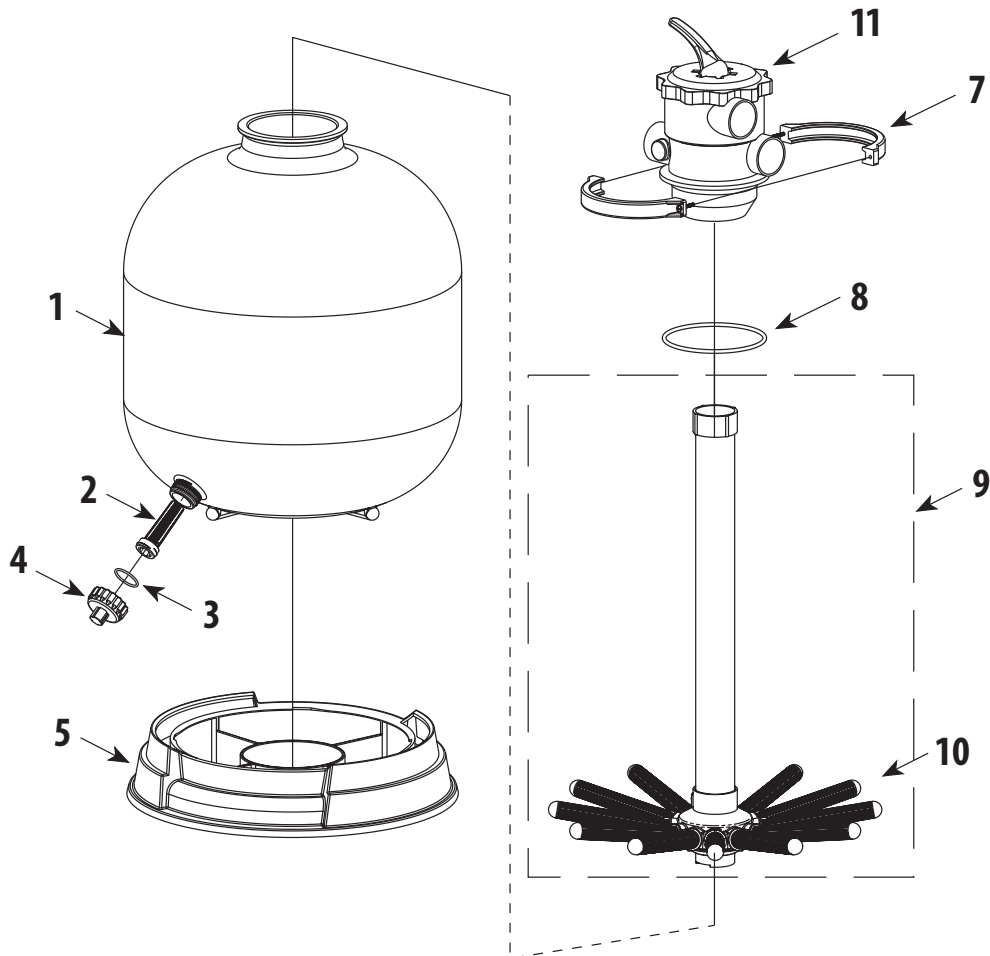
SmartClean Sand and Crystal Water D.E. Multi-Port Valve Replacement Parts

Item	Part No.	Description	Valve Size	List (US \$)
1	819-0010B	Screw	1 1/2" and 2"	2.66
2	873-E7S2B	O-Ring - Cover	1 1/2"	**
	805-0254B	O-Ring - Cover	2"	10.53
3	602-1910B	Diverter (Noryl)	1 1/2"	**
	873-E1011S2B	Diverter (Noryl)	2"	**
4	873-E12S1B	Spider Gasket (T.P.E.)	1 1/2"	27.48
	873-E12S2B	Spider Gasket (T.P.E.)	2"	**
5	873-E15S1B	1/4" Plug	1 1/2" and 2"	**
6	873-E17S1B	Sight Glass (Lexan)	1 1/2" and 2"	**
7	873-E16S1B	Sight Glass Gasket	1 1/2" and 2"	**

** Please request price quote.

Replacement Parts / SmartClean Sand Filter - Top Mount

(Discontinued 2015)



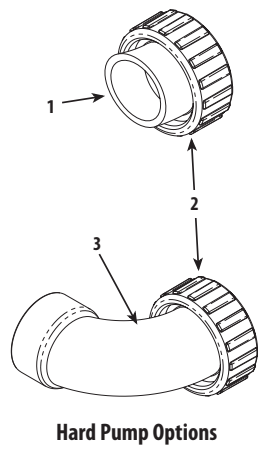
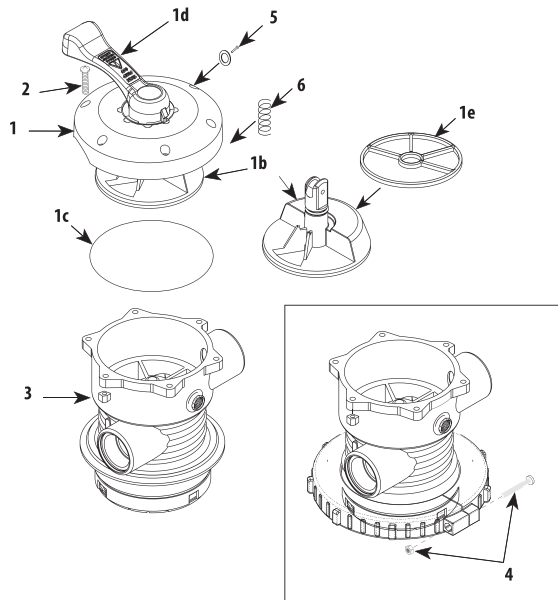
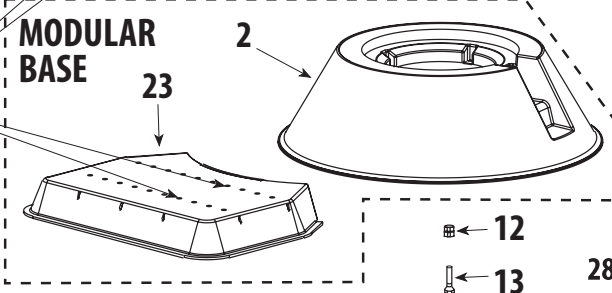
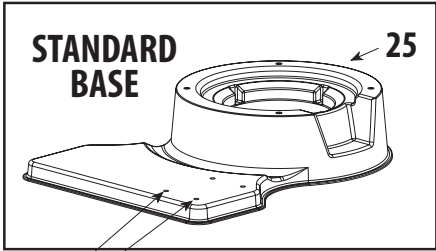
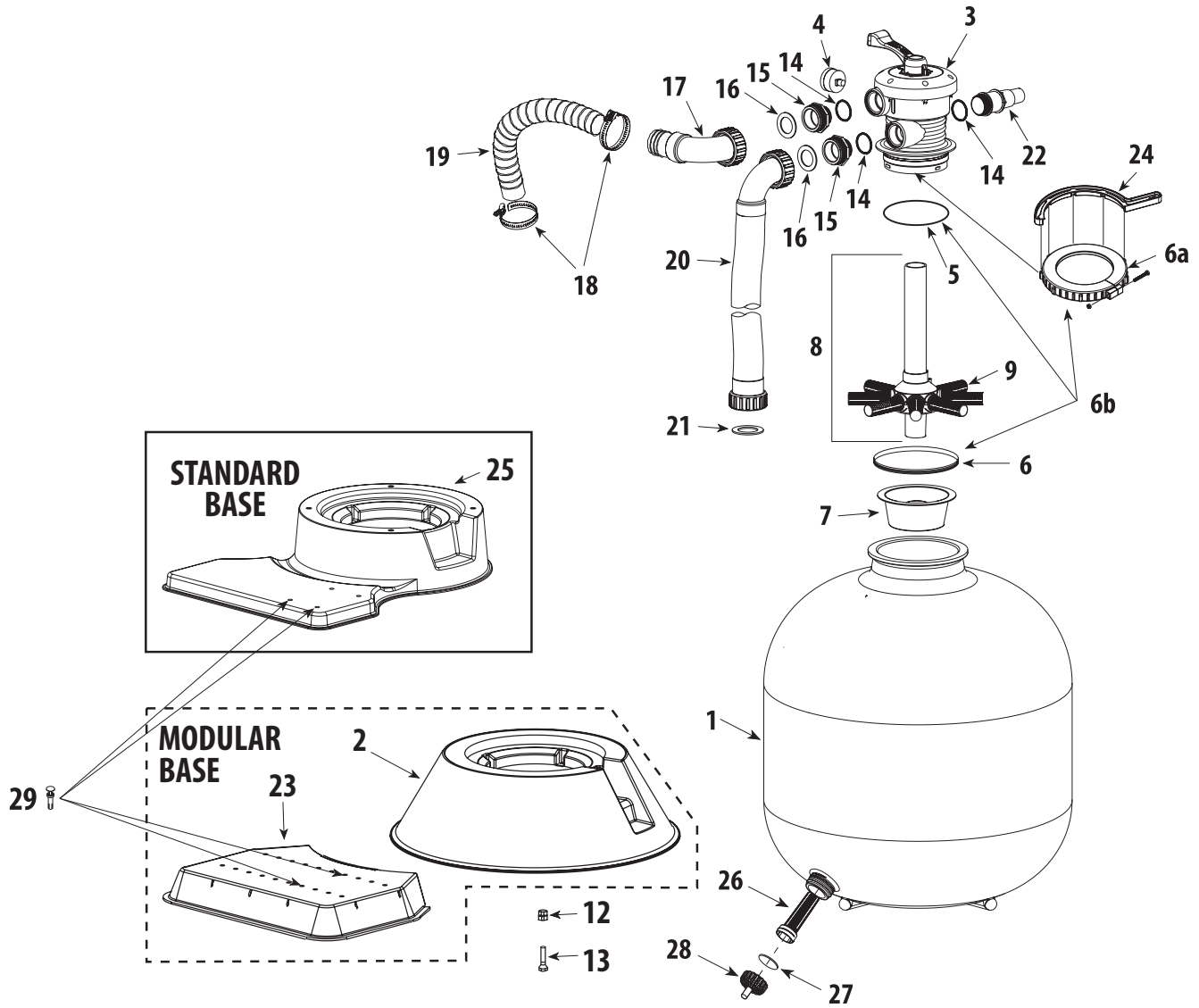
SmartClean Sand Filter -Top Mount Replacement Parts

Item	Part No.	Description	List (US \$)
1	515-2041TB	26" SmartClean Sand Filter Body	**
2	602-5310B	Self-Threading Drain Screen	6.17
3	711-5310B	Drain Cap Gasket	**
4	602-5301B	Drain Screen Cap (2010 and earlier)	5.68
	602-5321B	Drain Screen Cap (new style - 2011)	5.68
5	672-5301B	SmartClean Sand Filter Base	83.74
7	872-0046B	Multi-Port Valve Clamp Kit with Nuts & Bolts	23.47
8	805-0442B	O-Ring - Multi-Port Valve	11.32
9	550-5340B	Top Mount Lateral and Manifold Assembly - 26"	**
	550-5370B	Top Mount Lateral and Manifold Assembly - 32"	**
10	519-5370B	Lateral	9.09
11	WVS004B	Top Mount Clamp Style - 2" FPT	**

** Please request price quote.



Replacement Parts / Carefree Sand Filter



Multi-Port Valve Assembly

Replacement Parts



Carefree Sand Filter Replacement Parts

Item	Part No.	Description	List (US \$)
1	505-0271B	16" Oval Sand Filter Body with Threaded Sleeve Assembly	349.24
	505-0281B	19" Oval Sand Filter Body with Threaded Sleeve Assembly	422.04
	505-0291B	22" Oval Sand Filter Body with Threaded Sleeve Assembly	491.56
	505-0301B	26" Oval Sand Filter Body with Threaded Sleeve Assembly	655.88
2	672-7211B	Modular Filter Base	84.04
3	WVS003B	1 1/2" Multi-Port Valve Assembly - Split-Nut	177.99
4	830-3000B	Pressure Gauge	25.97
5	805-0435B	O-Ring - Multi-Port Valve	8.98
6	505-3000B	Threaded Sleeve Assembly	21.58
6a	505-3010B	Split-Nut Assembly - Multi-Port Valve	23.74
6b	505-3020B	Split-Nut Assembly - Multi-Port Valve with Thread Sleeve and O-Ring	45.92
7	502-2011B	Sand Fill Guide	7.94
8	505-2140B	Lateral and Manifold Assembly - 16" Filter	87.53
	505-2150B	Lateral and Manifold Assembly - 19" Filter	87.53
	505-2160B	Lateral and Manifold Assembly - 22" Filter	87.31
	505-2180B	Lateral and Manifold Assembly - 26" Filter	90.33
9	505-1930B	Lateral - Thread Style (8 required)	7.75
	519-5370B	Lateral - 22" and 26" Sand Filter (12 required)	9.09
10	505-2020B	Drain Assembly (2004 and earlier)	17.17
11	505-2030B	Drain Cap Assembly (2004 and earlier)	8.33
12	820-0017B	3/8" Flat Washer	1.06
13	819-0016B	3/8" Bolt - 16 x 2" Hex - 22" & 26" Sand Filter	2.91
	819-0019B	3/8" Bolt - 16 x 1 1/2" Hex - 19" Sand Filter	4.00
	819-0020B	3/8" Bolt - 16 x 1 1/4" Hex - 16" Sand Filter	4.67
14	805-0224B	O-Ring - 1 1/2" Buttress x 1 1/2" MPT Fitting	1.41
15	417-4161B	1 1/2" Buttress x 1 1/2" MPT Tailpiece	6.19
16	711-4000B	1 1/2" Union Gasket	1.41
17	550-1841B	Return Sweep Assembly	33.80
18	872-0011B	Hose Clamp - Stainless Steel - 2 1/2"	**
19	872-9002B	Corrugated Hose - Black - 1 1/2" x 6 ft.	20.98
20	550-1821B	PVC Flex Hose Assembly - 19" Sand Filter	78.35
	550-1831B	PVC Flex Hose Assembly - 22" Sand Filter	81.58
	550-1833B	PVC Flex Hose Assembly - 26" Sand Filter	89.85
21	711-4010B	2" Union Gasket	1.52
22	425-1928B	Waste Adapter Fitting	17.00
23	672-7201B	Pump Base	43.27
24	505-1970B	Collar Wrench for Threaded Style Split-Nut	18.79
25	672-7241B	Standard One-Piece Base	96.00
26	602-5310B	Self-Threading Drain Screen	6.17
27	805-0224B	O-Ring - 1 1/2" Heater Tailpiece	1.41
28	602-5301B	Drain Screen Cap (2010 and earlier)	5.68
	602-5321B	Drain Screen Cap (new style - 2001)	5.68
29	429-7300B	Replacement Kit Pin and Anchor Assembly (4 required)	9.23

Multi-Port Valve Assembly Replacement Parts

1	600-9600B	Multi-Port Lid Assembly	119.32
1b	600-9500B	Diverter Valve Assembly with Gasket	45.89
1c	805-0254B	O-Ring - Lid	10.53
1d	602-1931B	Lid Handle Only	12.58
1e	711-1910B	Diverter Gasket (Spider) <i>(Note: purchasing gasket glued into diverter by factory recommended)</i>	20.19
2	819-0010B	Screw - Lid	2.66
3	820-0013B	Serrated Hex Nut	**
4	800-0100B	1 1/2" Split-Nut Bolt & Nut Kit	5.36
5	800-0150B	O-Ring Kit with Pin & Washer	15.10
6	827-0002B	Spring	8.74

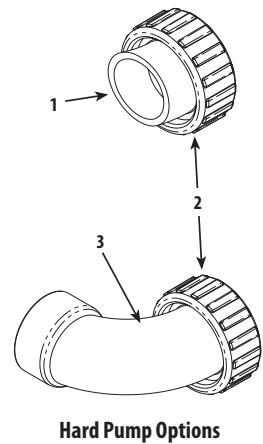
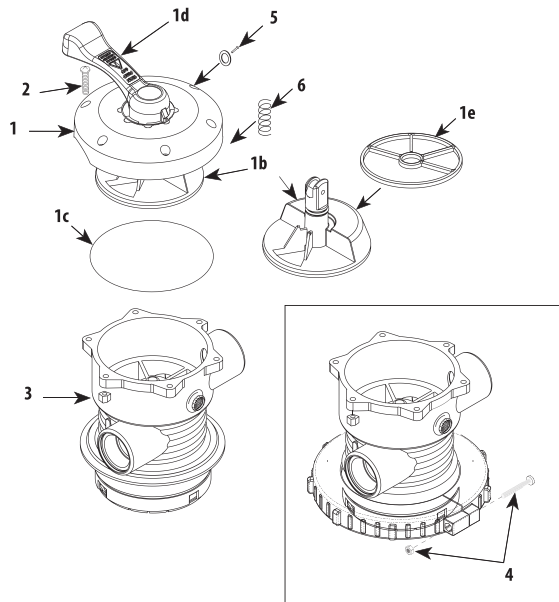
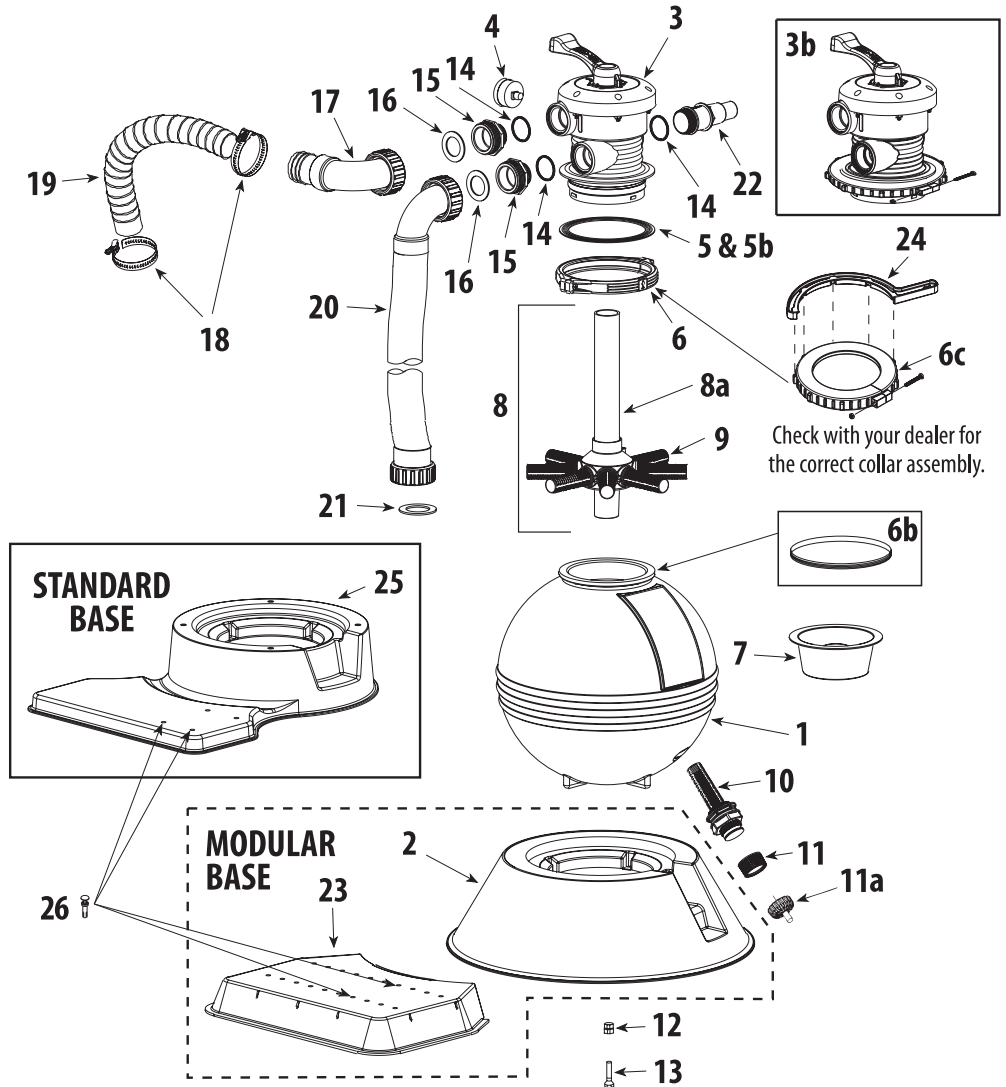
Hard Pump Options

1	400-4061B	1 1/2" Socket Pump Union Assembly	6.72
2	415-4001B	1 1/2" Union Nut	2.62
3	500-1901B	1 1/2" Socket Return Sweep Assembly	31.01

** Please request price quote.



Replacement Parts / ClearWater Sand Filter





ClearWater Sand Filter Replacement Parts

Item	Part No.	Description	List (US \$)
1	505-0161B	16" Sand Filter Body with Threaded Sleeve Assembly	309.89
	505-0191B	19" Sand Filter Body with Threaded Sleeve Assembly	370.90
	505-0221B	22" Sand Filter Body with Threaded Sleeve Assembly	408.09
	505-0261B	26" Sand Filter Body with Threaded Sleeve Assembly	556.32
2	672-7211B	Modular Filter Base	84.04
3	WVS002B	Multi-Port Valve Assembly - Clamp Style (2001 and Earlier)	177.99
3b	WVS003B	Multi-Port Valve Assembly - Split-Nut Style (2002 to Present)	177.99
4	830-3000B	Pressure Gauge	25.97
5	711-1920B	Collar Gasket (for Clamp Style) (2001 and Earlier)	14.11
5b	805-0435B	O-Ring - Multi-Port Valve (for Split-Nut Style)	8.98
6	505-2070B	Collar Assembly - Clamp Style (2001 and Earlier)	47.06
6b	505-3000B	Threaded Sleeve Assembly (2002 to Present)	21.58
6c	505-3010B	Split-Nut Assembly (included with WVS003)	23.74
7	502-2011B	Sand Fill Guide	7.94
8	505-2040B	Lateral and Manifold Assembly - 16" Filter	87.75
	505-2050B	Lateral and Manifold Assembly - 19" Filter	87.42
	505-2060B	Lateral and Manifold Assembly - 22" Filter	87.42
	505-2080B	Lateral and Manifold Assembly - 26" Filter	87.53
8a	505-2240-RB	Manifold Only - 16" Filter	**
	505-2250-RB	Manifold Only - 19" Filter	**
	505-2260-RB	Manifold Only - 22" Filter	**
9	505-1930B	Lateral - Thread Style (2003 and Earlier)	7.75
	505-1950B	Lateral - Twist-Lock Style (2004)	7.17
10	505-2020B	Drain Assembly (2004 and earlier)	17.17
11	505-2030B	Drain Cap Assembly (2004 and earlier)	8.33
11a	602-5321B	Drain Screen Cap (new style - 2001)	5.68
12	820-0017B	3/8" Flat Washer	1.06
13	819-0016B	3/8" Bolt - 16 x 2" Hex - 22" & 26" Sand Filter	2.91
	819-0019B	3/8" Bolt - 16 x 1 1/2" Hex - 19" Sand Filter	4.00
	819-0020B	3/8" Bolt - 16 x 1 1/4" Hex - 16" Sand Filter	4.67
14	805-0224B	O-Ring - 1 1/2" Buttress x 1 1/2" MPT Fitting	1.41
15	417-4161B	1 1/2" Buttress x 1 1/2" MPT Tailpiece	6.19
16	711-4000B	1 1/2" Union Gasket	1.41
17	550-1841B	Return Sweep Assembly	33.8
18	872-0011B	Hose Clamp - Stainless Steel	**
19	872-9002B	Corrugated Hose - Black - 1 1/2" x 6 ft.	20.98
20	550-1801B	PVC Flex Hose Assembly - 16" Sand Filter	51.31
	550-1811B	PVC Flex Hose Assembly - 19" Sand Filter	68.26
	550-1821B	PVC Flex Hose Assembly - 22" Sand Filter	78.35
	550-1831B	PVC Flex Hose Assembly - 26" Sand Filter	81.58
21	711-4010B	2" Union Gasket	1.52
22	425-1928B	Waste Adapter Fitting	17.00
23	672-7201B	Pump Base	43.27
24	505-1970B	Collar Wrench for Split-Nut Threaded Style	18.79
25	672-7241B	Standard One-Piece Base	96.00
26	429-7300B	Replacement Kit Pin and Anchor Assembly (4 required)	9.23

Multi-Port Valve Assembly Replacement Parts

1	600-9600B	Multi-Port Lid Assembly	119.32
1b	600-9500B	Diverter Valve Assembly with Gasket	45.89
1c	805-0254B	O-Ring - Lid	10.53
1d	602-1931B	Lid Handle Only	12.58
1e	711-1910B	Diverter Gasket (Spider) (Note: purchasing gasket glued into diverter by factory recommended)	20.19
2	819-0010B	Lid Screw	2.66
3	820-0013B	Serrated Hex Nut	**
4	800-0100B	Split-Nut Bolt and Nut Kit	5.36
5	800-0150B	O-Ring Kit with Pin and Washer	15.10
6	827-0002B	Spring	8.74

Hard Pump Options

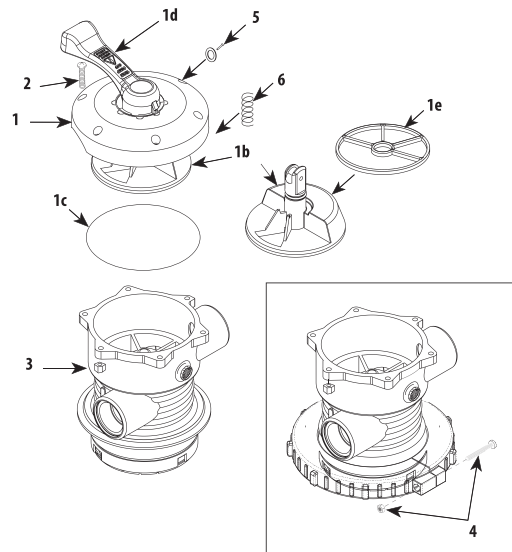
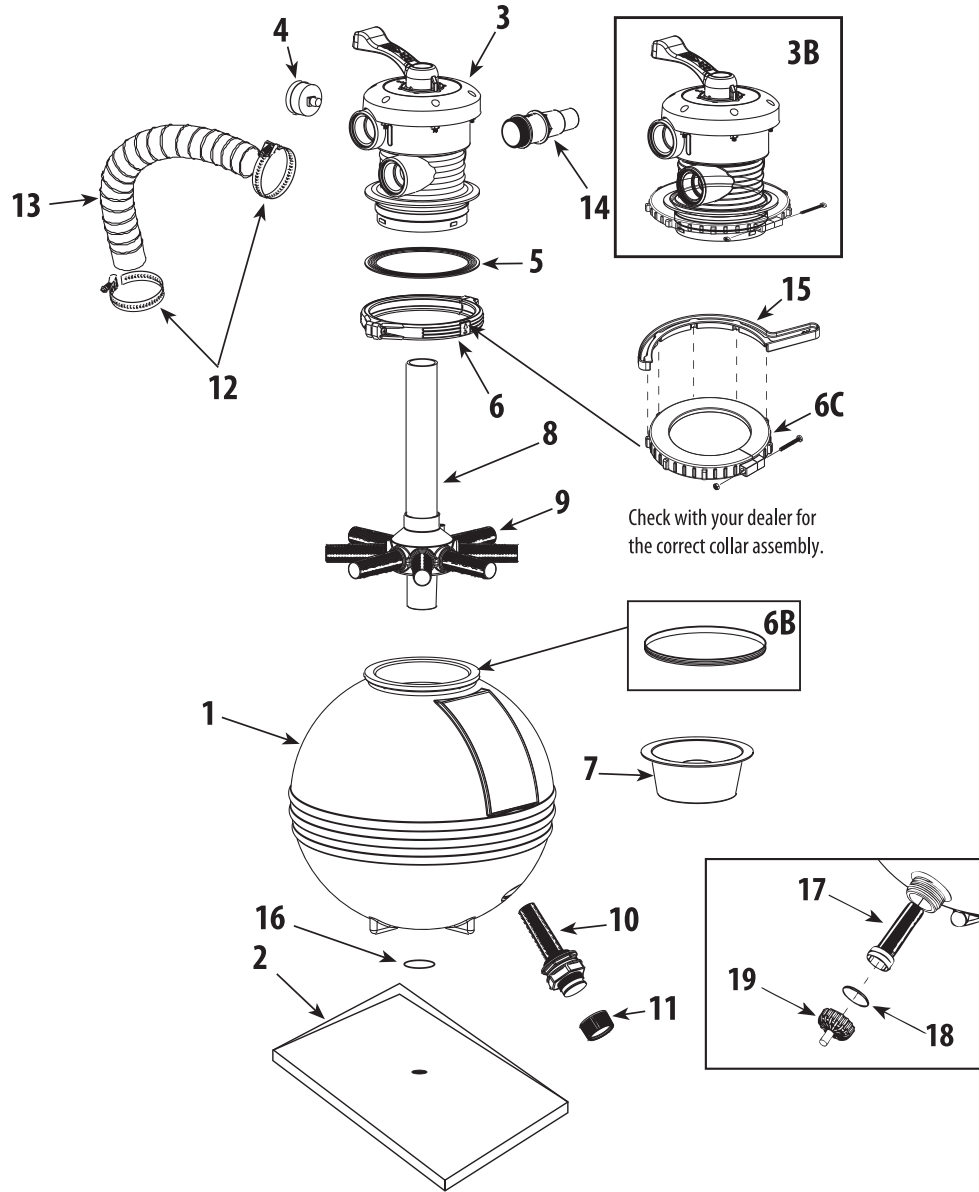
1	400-4061B	1 1/2" Socket Pump Union Assembly	6.72
2	415-4001B	1 1/2" Union Nut	2.62
3	500-1901B	1 1/2" Socket Return Sweep Assembly	31.01

** Please request price quote.

Replacement Parts



Replacement Parts / TWM Sand Filter





TWM Sand Filter Replacement Parts

Item	Part No.	Description	List (US \$)
1	505-0161B	16" Sand Filter Body with Threaded Sleeve Assembly	309.89
	505-0191B	19" Sand Filter Body with Threaded Sleeve Assembly	370.90
	505-0221B	22" Sand Filter Body with Threaded Sleeve Assembly	408.09
	505-0261B	26" Sand Filter Body with Threaded Sleeve Assembly	556.32
2	672-1000B	Equipment Base - 1" x 15 1/4" x 26 1/4"	43.94
3	WVS002B	1 1/2" Multi-Port Valve Assembly - Clamp Style (2001 and Earlier)	177.99
3B	WVS003B	1 1/2" Multi-Port Valve Assembly with Split-Nut (2002 to Present)	177.99
4	830-3000B	Pressure Gauge	25.97
5	711-1920B	Collar Gasket <i>(use with Clamp Style)</i>	14.11
6	505-2070B	Collar Assembly - Old Style <i>(2001 and Earlier)</i>	47.06
6B	505-3000B	Threaded Sleeve Assembly	21.58
6C	505-3010B	Multi-Port Valve Split-Nut Assembly	23.74
7	502-2011B	Sand Fill Guide	7.94
8	505-2040B	Lateral & Manifold Assembly - 16" Filter	87.75
	505-2050B	Lateral & Manifold Assembly - 19" Filter	87.42
	505-2060B	Lateral & Manifold Assembly - 22" Filter	87.42
	505-2080B	Lateral & Manifold Assembly - 26" Filter	87.53
9	505-1930B	Lateral - Threaded Style <i>(2001 and Earlier)</i>	7.75
	505-1950B	Lateral - Twist-Lock Style <i>(2003 to Present)</i>	7.17
10	505-2020B	Drain Assembly 2004 and earlier	17.17
11	505-2030B	Drain Cap Assembly 2004 and earlier	8.33
12	872-0011B	Hose Clamp - Stainless Steel - 2 1/2"	**
13	872-9002B	Corrugated Hose - Black - 1 1/2" x 6 ft. (2 required)	20.98
	872-9001B	Corrugated Hose - Black - 1 1/2" x 3 ft. (1 required)	16.22
14	425-1928B	Waste Adapter Fitting	17.00
15	505-1970B	Collar Wrench for Split-Nut Threaded Style (optional)	18.79
16	218-6680B	Washer	3.04
17	602-5310B	Self Threading Drain Screen	6.17
18	805-0224B	O-Ring - 1 1/2" Heater Tailpiece	1.41
19	602-5321B	Drain Screen Cap (new style - 2001)	5.68

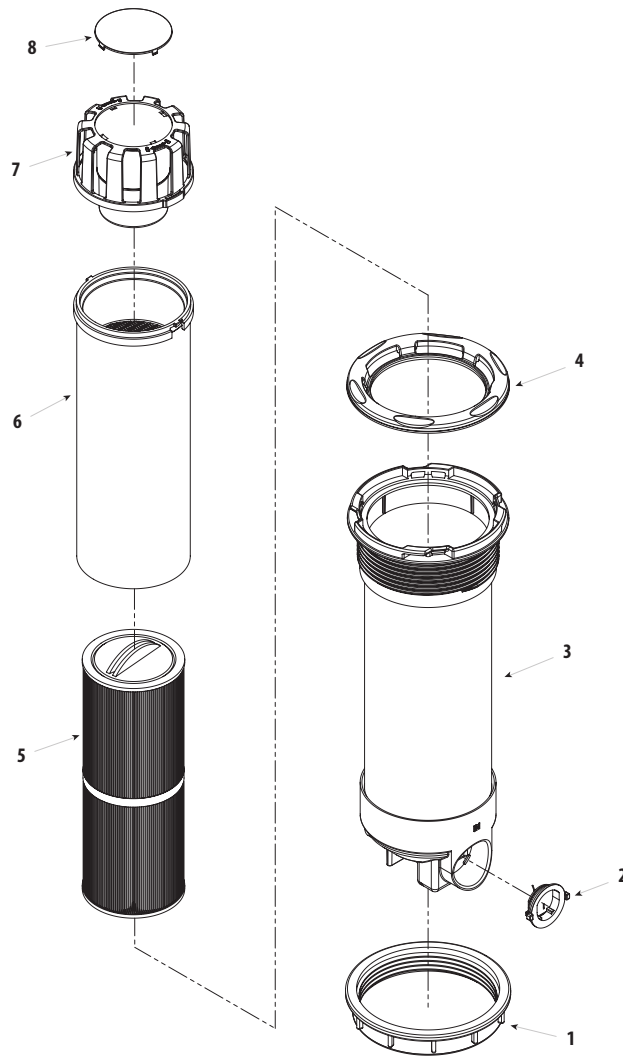
Multi-Port Valve Assembly Replacement Parts

Item	Part No.	Description	List (US \$)
1	600-9600B	Multi-Port Lid Assembly	119.32
1b	600-9500B	Diverter Valve Assembly	45.89
1c	805-0254B	O-Ring - Lid	10.53
1d	602-1931B	Lid Handle Only	12.58
1e	711-1910B	Diverter Gasket (Spider) <i>(Note: purchasing gasket glued into diverter by factory recommended)</i>	20.19
2	819-0010B	Lid Screw	2.66
3	820-0013B	Serrated Hex Nut	**
4	800-0100B	1 1/2" Split-Nut Bolt and Nut Kit	5.36
5	800-0150B	O-Ring Kit with Pin and Washer	15.10
6	827-0002B	Spring	8.74

** Please request price quote.

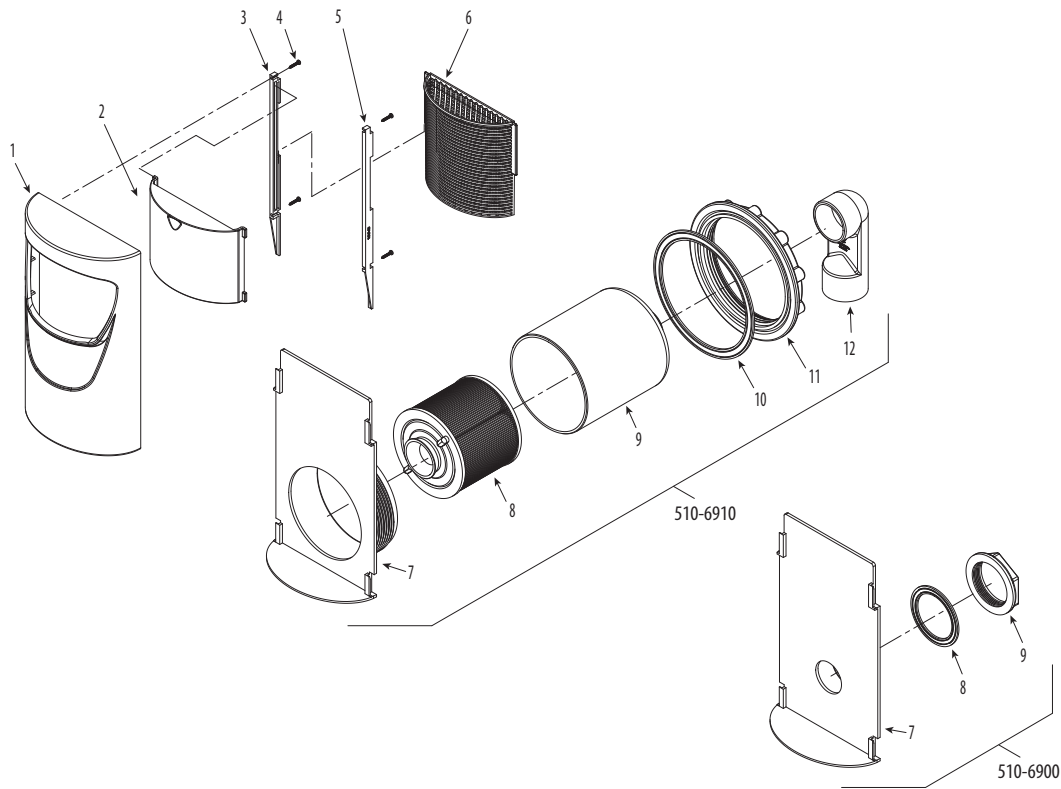


Replacement Parts / Teleweir



Teleweir			
Item	Part No.	Description	List (US \$)
1	718-1000B	Top-Mount Filter Nut	15.84
2	600-1040B	2" Bypass Valve	10.38
3	550-5735-1B	35 sq. ft. Teleweir Body Assembly	**
	550-5750-1B	50 sq. ft. Teleweir Body Assembly	**
	550-5775-1B	75 sq. ft. Teleweir Body Assembly	**
4	519-8310B	Teleweir Trim Ring - 6-Scallop	**
5	817-4035B	35 sq. ft. Teleweir Cartridge	**
	817-4050B	50 sq. ft. Teleweir Cartridge	**
	817-4075B	75 sq. ft. Teleweir Cartridge	**
6	550-5835-1B	35 sq. ft. Inner Pipe & Basket Assembly	**
	550-5850-1B	50 sq. ft. Inner Pipe & Basket Assembly	**
	550-5875-1B	75 sq. ft. Inner Pipe & Basket Assembly	**
7	550-5701B	Upper Weir Teleweir Sub-Assembly	**
8	519-0300B	Teleweir Cap	**

** Please request price quote.



510-6900 - Deluxe Strip Skimmer Replacement Parts

Item	Part No.	Description	List (US \$)
1	519-6900B	Weir Frame	**
2	550-6910B	Weir Door Assembly	**
3	519-6940.RB	Guide Frame - Right	**
4	819-0114B	Screw (4 required)	**
5	519-6940.LB	Guide Frame - Left	**
6	519-6951B	Basket	**
7	519-6981B	Weir Plate Outlet	**
8	711-4350B	Wall Fitting Gasket	1.15
9	718-3150B	Wall Fitting Nut	**
10	819-0008B	Screw, #8 PPH	**

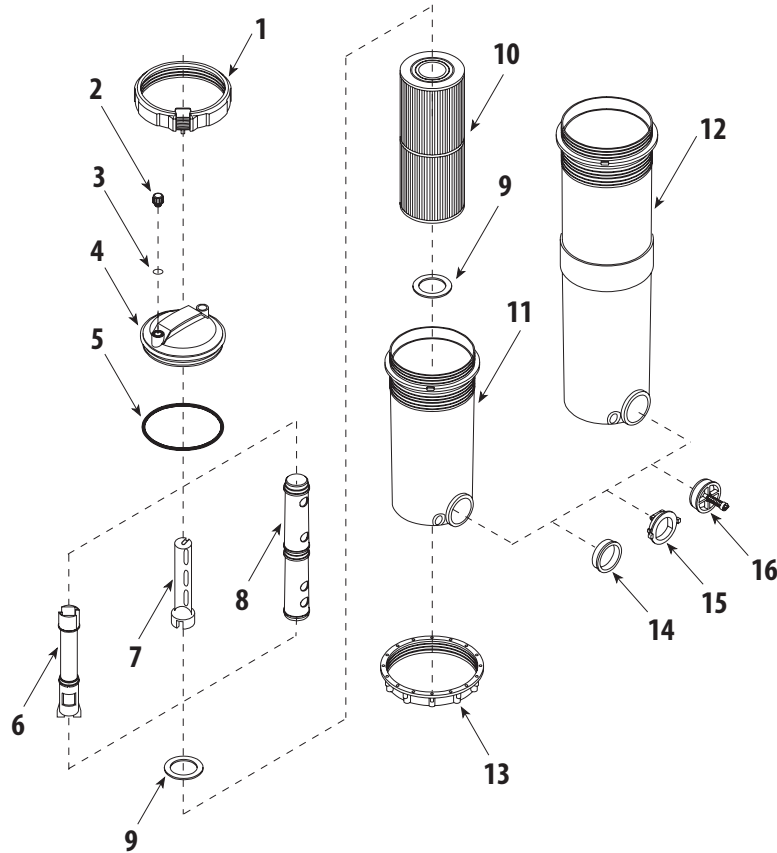
510-6910 - Deluxe Skim Filter Replacement Parts

Item	Part No.	Description	List (US \$)
1	519-6900B	Weir Frame	**
2	550-6910B	Weir Door Assembly	**
3	519-6940.RB	Guide Frame - Right	**
4	819-0114B	Screw (4 required)	**
5	519-6940.LB	Guide Frame - Left	**
6	519-6951B	Basket	**
7	519-6961B	Weir Plate Outlet	**
8	817-0020B	10 sq. ft. Cartridge	44.10
9	519-6970B	Weir Filter Housing	**
10	711-7000B	Wall Fitting Gasket	6.36
11	718-7000B	Wall Fitting Nut	**
12	411-6910B	90° Ell - 2" SPG x 2" S	**
13	819-0008B	Screw, #8 PPH	**

** Please request price quote.



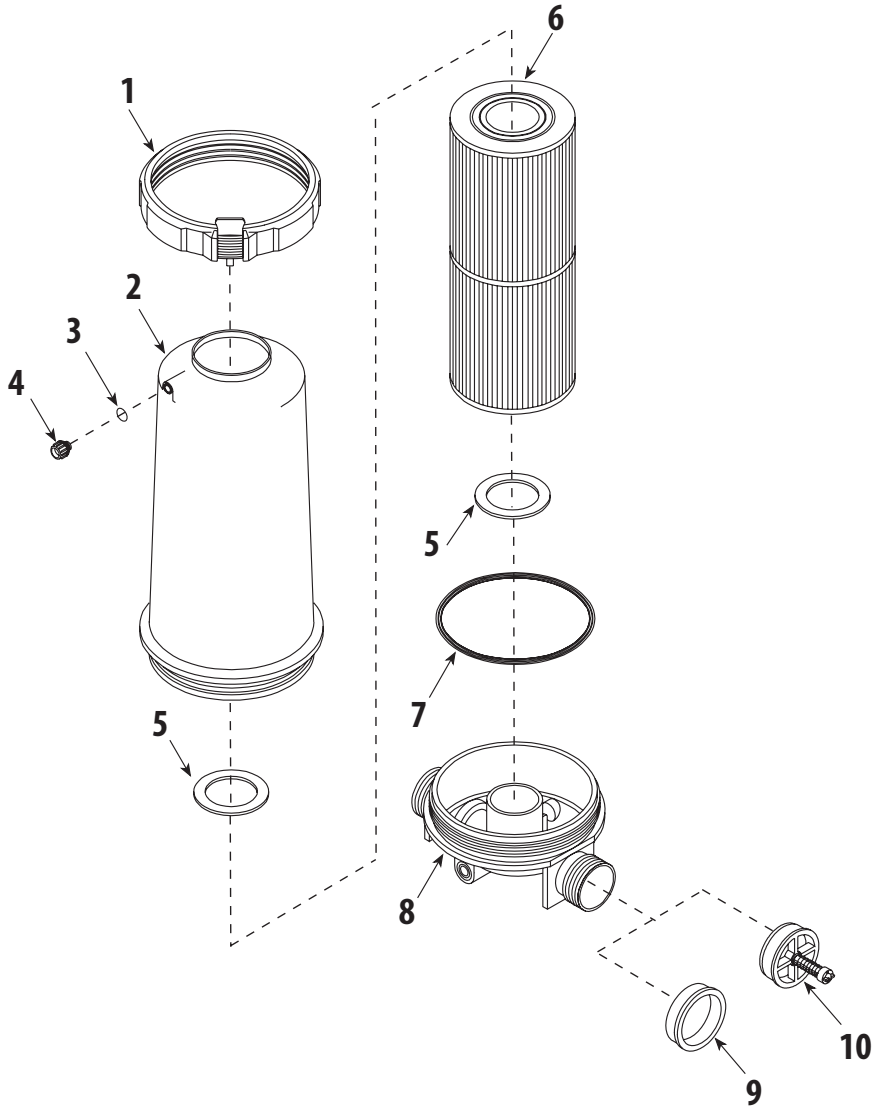
Replacement Parts / 1 1/2" and 2" Top-Load Filter



1 1/2" and 2" Top-Load Filter Replacement Parts

Item	Part No.	Description	List (US \$)
1	500-1000B	Lock Ring Assembly	19.52
2	715-1001B	Plug - Air Relief	3.99
3	805-0114B	O-Ring - Air Relief Plug	1.40
4	511-1000B	Filter Lid with Handle	32.06
5	805-0360B	O-Ring - Filter Lid	7.58
6	500-1070B	Brominator Assembly - 10 Tablet	**
7	519-1051B	Mineral Purifier Canister Holder	**
8	500-1060B	Flow Restriction Tube	19.53
9	711-1010B	Spacer Ring	3.96
10	817-2500B	Filter Cartridge - 25 sq. ft. - 4 15/16" OD x 13 5/16" L	60.22
	817-5000B	Filter Cartridge - 50 sq. ft. - 4 15/16" OD x 13 5/16" L	103.03
	817-7500B	Filter Cartridge - 75 sq. ft. - 4 15/16" OD x 23 5/8" L	**
	817-1000B	Filter Cartridge - 100 sq. ft. - 4 15/16" OD x 23 5/8" L	**
11	550-5000B	1 1/2" Filter Body - with Bypass	120.12
	550-4990B	1 1/2" Filter Body - with Plug	117.24
	550-5010B	2" Filter Body - with Bypass	**
	550-5060B	2" Filter Body - with Plug	119.04
12	550-5110B	1 1/2" Extended Filter Body - with Bypass	**
	550-5150B	1 1/2" Extended Filter Body - with Plug	**
	550-5230B	2" Extended Filter Body - with Bypass	188.78
	550-5220B	2" Extended Filter Body - with Plug	**
13	718-1000B	Nut - Filter Body	15.84
14	715-1010B	1 1/2" Plug	**
	715-9900B	2" Plug	**
15	600-1040B	2" Bypass Valve Assembly	10.38
16	600-1000B	1 1/2" Bypass Valve Assembly	10.48

** Please request price quote.



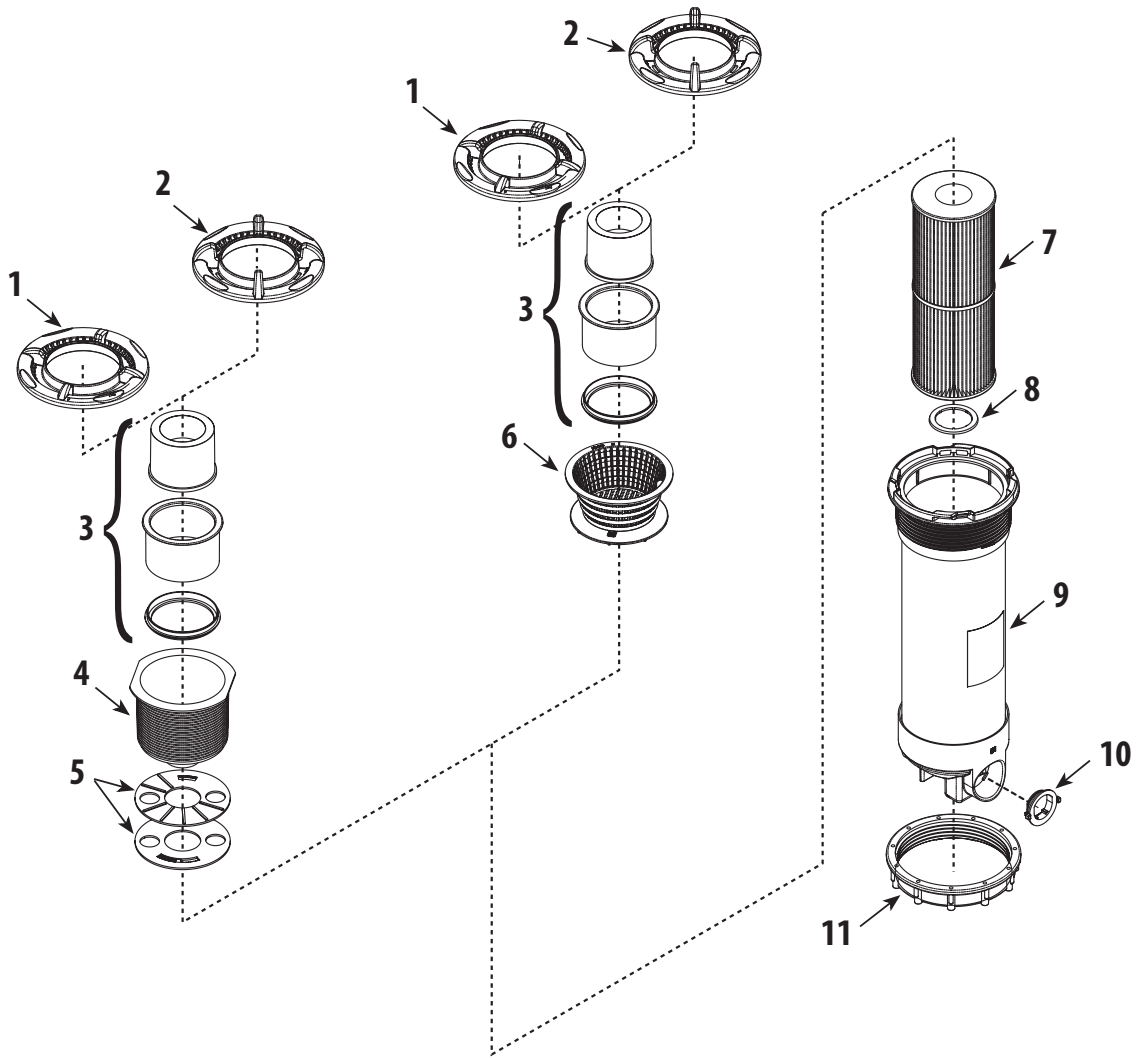
1 1/2" In-Line Filter Replacement Parts

Item	Part No.	Description	List (US \$)
1	500-1000B	Lock Ring Assembly	19.52
2	515-1010B	In-line Filter Body	106.90
3	805-0114B	O-Ring - Air Relief Plug	1.40
4	715-1001B	Plug - Air Relief	3.99
5	711-1010B	Spacer Ring	3.96
6	817-2500B	Filter Cartridge - 25 sq. ft. - 4 15/16" OD x 13 5/16" L	60.22
	817-5000B	Filter Cartridge - 50 sq. ft. - 4 15/16" OD x 13 5/16" L	103.03
7	805-0360B	O-Ring - Filter Lid	7.58
8	511-1010B	1 1/2" Filter Lid	19.55
9	715-1010B	1 1/2" Plug	**
10	600-1000B	1 1/2" Bypass Valve	10.48

** Please request price quote.



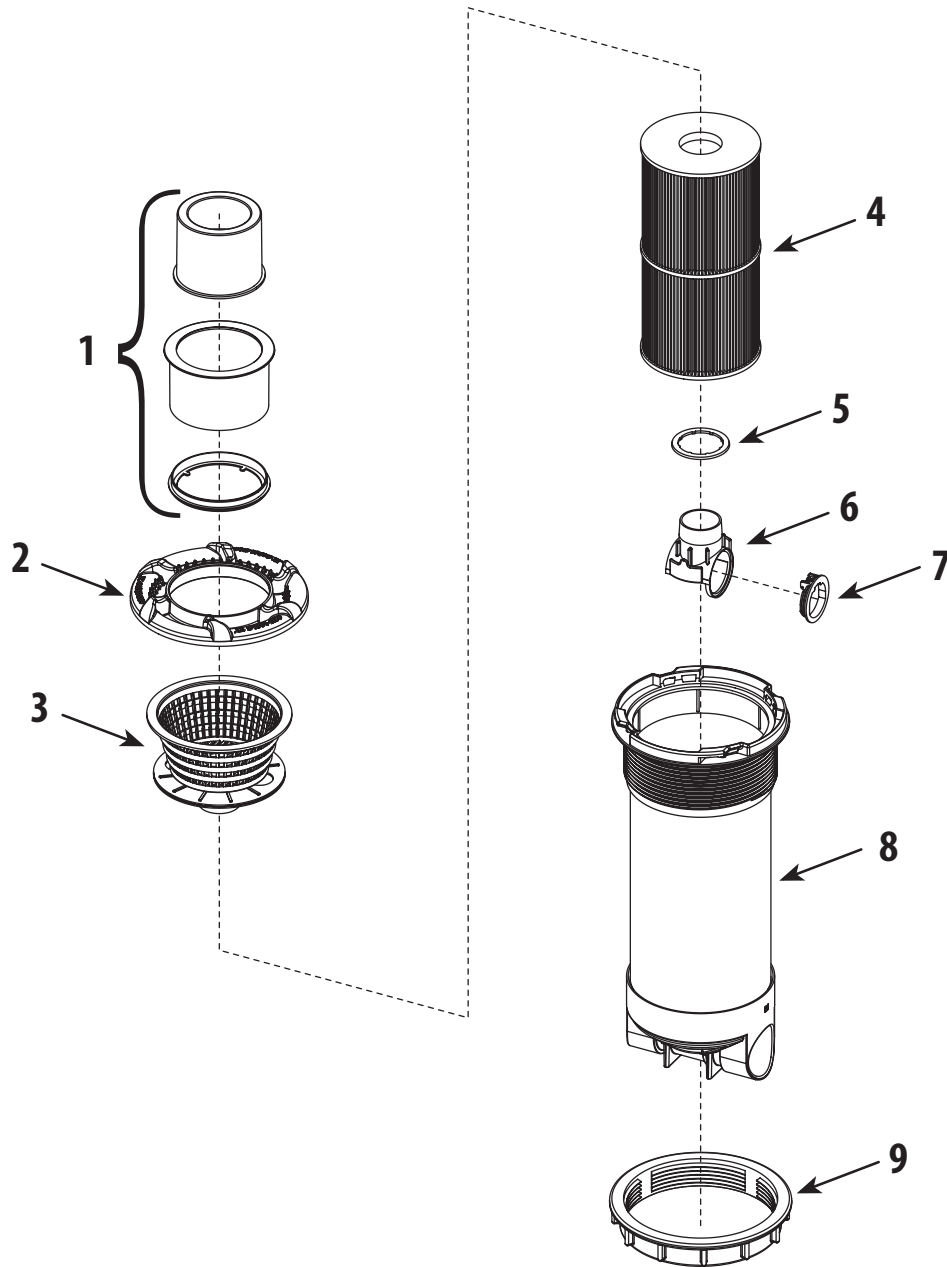
Replacement Parts / Dyna-Flo Top Mount Skim Filter



Dyna-Flo Top Mount Skim Filter Replacement Parts

Item	Part No.	Description	List (US \$)
1	519-8070B	4-Scalloped Trim Ring - Low Volume - White	16.83
2	519-8050B	4-Scalloped Trim Ring - High Volume - White	13.32
3	550-2630B	Weir Assembly - 3-Piece - White	27.72
4	519-8000B	Basket - White - 6.4" diameter x 5.62" H	12.21
5	519-3010B	Diverter Plate	18.92
6	500-2680B	Low Profile Basket Assembly - White - 6.35" diameter x 2.75" H	33.80
7	817-2500B	Filter Cartridge - 25 sq. ft. - 4 15/16" OD x 13 5/16" L	60.22
	817-3501B	Filter Cartridge - 40 sq. ft. - 4 15/16" OD x 9 1/4" L	**
	817-5000B	Filter Cartridge - 50 sq. ft. - 4 15/16" OD x 13 5/16" L	103.03
8	711-1010B	Spacer Ring	3.96
9	--	Body	**
10	600-1040B	2" Bypass Valve	10.38
11	718-1000B	Nut - Filter Body	15.84

** Please request price quote.



Dyna-Flo XL Skim Filter Replacement Parts

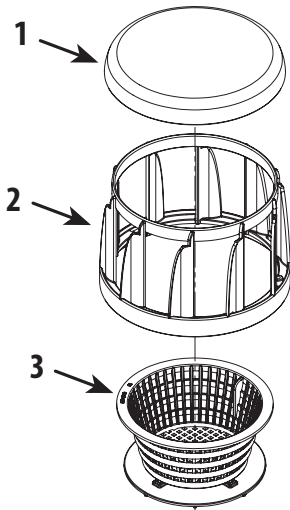
Item	Part No.	Description	List (US \$)
1	550-8620B	Weir Assembly	**
2	519-8260B	Scalloped Trim Ring	**
3	550-8631B	Basket Assembly - Black - 8.0" diameter x 3.5" H	**
4	817-0017B	Dyna-Flo XL Cartridge - 50 sq. ft. - 2 3/8" x 6 9/16" OD x 13 5/16" L	**
	817-0018B	Dyna-Flo XL Cartridge - 75 sq. ft. - 2 3/8" x 6 9/16" OD x 13 5/16" L	**
	817-0019B	Dyna-Flo XL Cartridge - 100 sq. ft. - 2 3/8" x 6 9/16" OD x 17 13/16" L	**
5	711-8200B	Spacer Ring	**
6	602-8210B	Bottom Body Insert with Bypass Valve	**
7	600-1020B	2 1/2" Bypass Valve	**
8	--	Body	**
9	718-8200B	Nut	**

** Please request price quote.

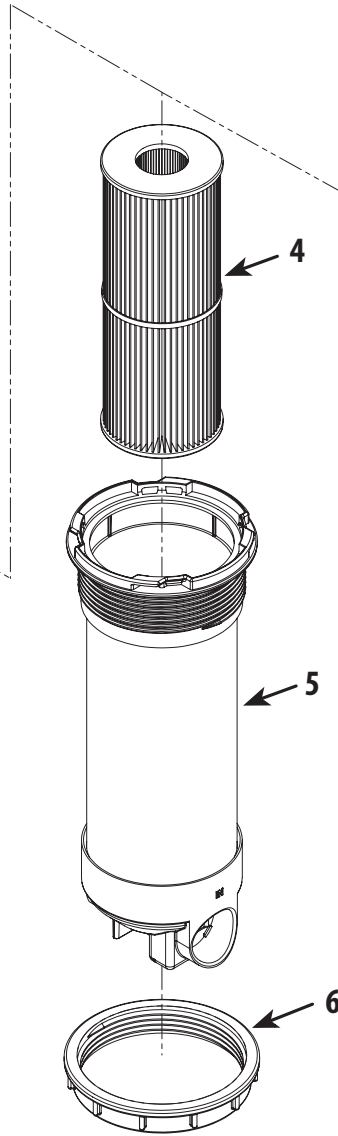
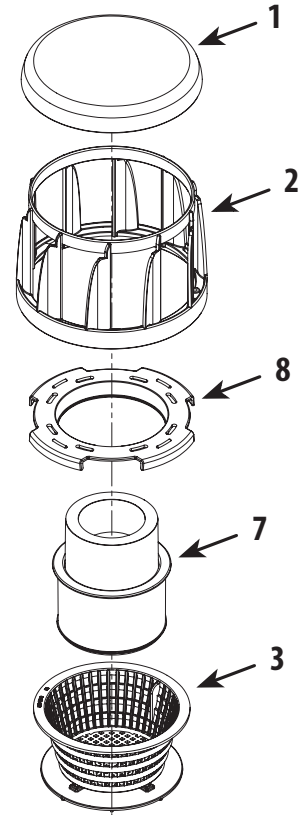


Replacement Parts / Ultra Skim Filter / Ultra Skim XL Filter

Ultra Skim Filter Assembly 514-6550



Ultra Skim XL Filter Assembly 514-6580

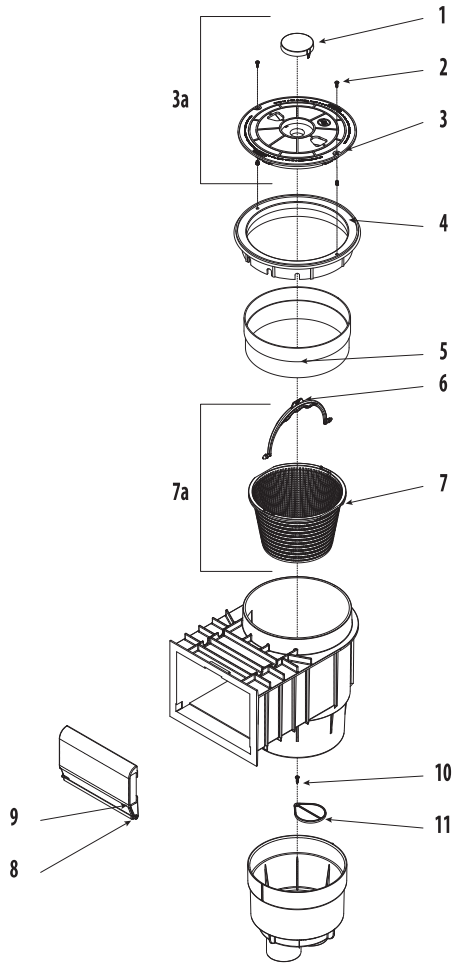


Ultra Skim Filter Replacement Parts

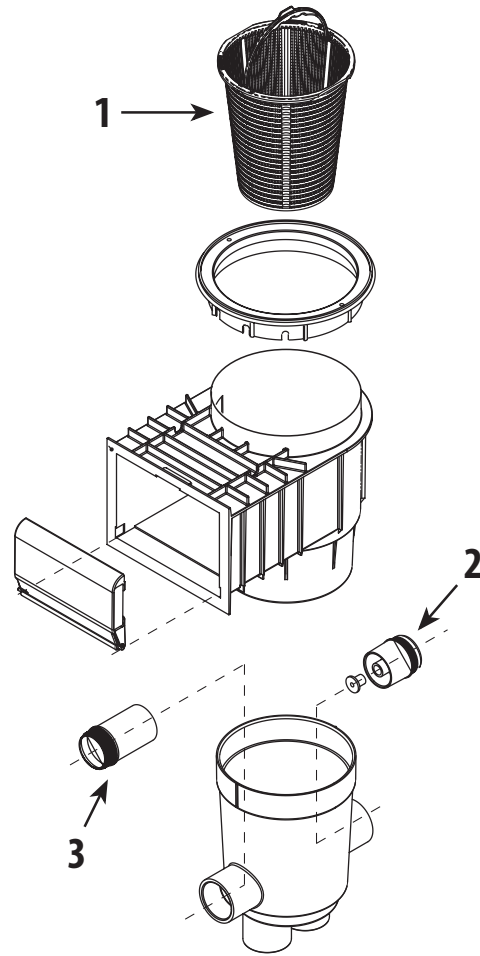
Item	Part No.	Description	List (US \$)
1	519-8160B	Lid	**
2	519-8150B	Turbine	**
3	500-2697B	Basket Assembly - 6.35" diameter x 2.75" H	**
4	817-2500B	Filter Cartridge - 25 sq. ft. - 4 15/16" OD x 13 5/16" L	60.22
	817-3501B	Filter Cartridge - 40 sq. ft. - 4 15/16" OD x 9 1/4" L	**
	817-5000B	Filter Cartridge - 50 sq. ft. - 4 15/16" OD x 13 5/16" L	103.03
5	--	Body	**
6	718-1000B	Filter Body Nut	15.84
7	550-2630B	Weir Assembly - 3 Piece - White	27.72
8	519-2010B	Ultra Skim Filter - Weir Retainer Ring	**

** Please request price quote.

Replacement Parts / Renegade Gunite and Venturi / Deep Basket Skimmers



Renegade Gunite In-Ground Skimmer



Renegade Venturi and Deep Basket

Renegade Gunite In-Ground Skimmer Replacement Parts

Item	Part No.	Description	List (US \$)
1	519-6460B	Blank Lid Insert	**
2	819-0005B	Screw #8-32 x 7/16" Phil Pan Head (2 required)	**
3	519-6450B	Lid - White	27.55
3a	540-6470WWB	Lid with Logo Insert	25.06
4	519-6420B	Lid Mounting Ring with Insert - White	24.90
5	519-6570B	Mounting Ring Extension	14.10
6	519-3250B	Basket Handle	3.39
7	519-3240B	Basket - 8.12" diameter x 5.25" H	12.09
7a	542-3240B	Basket Assembly with Handle	15.83
8	550-995xB	Weir Door Assembly	**
9	865-0200B	Weir Door Foam	2.05
10	819-4350B	Screw #8 x 5/8" PNHD Phil.	**
11	519-6470B	Diverter Plate	6.28

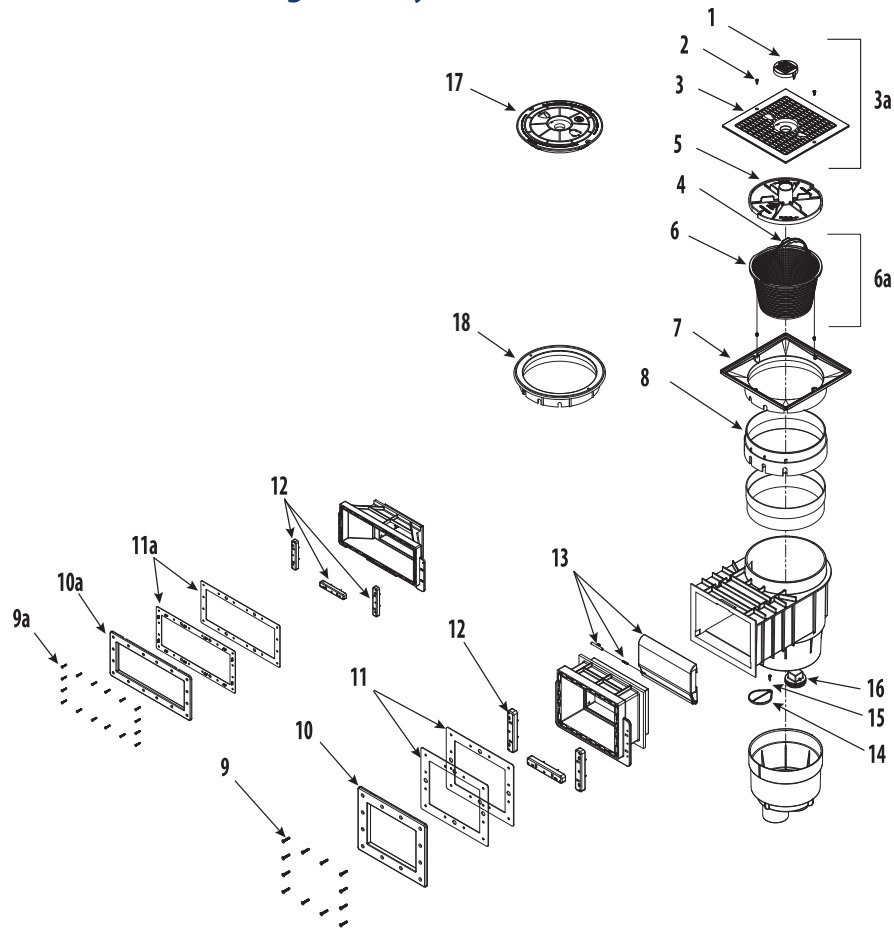
Renegade Venturi and Deep Basket Skimmer Replacement Parts

Item	Part No.	Description	List (US \$)
1	542-9600B	Venturi Basket Assembly - 8.12" diameter x 9.0" H	26.60
2	542-9610B	Venturi Nozzle Fitting Assembly	**
3	519-9650B	2" Outlet Port	**

** Please request price quote.



Replacement Parts / Renegade Vinyl Liner Skimmer



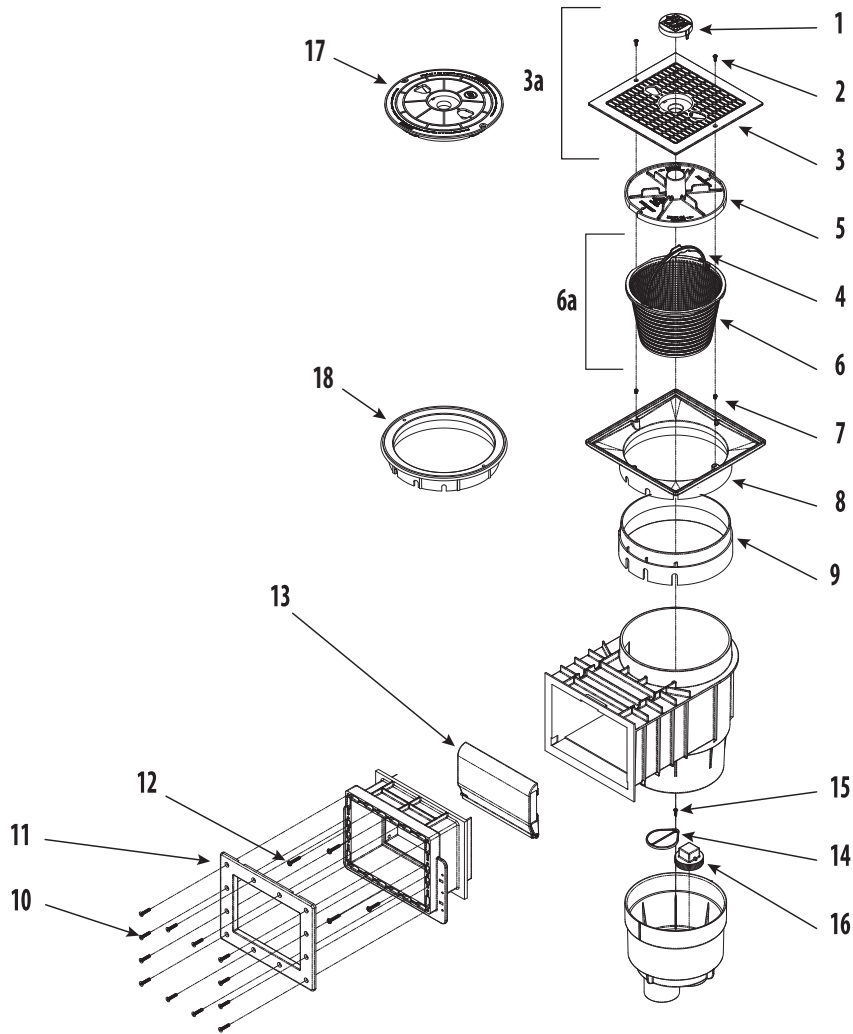
Renegade Vinyl Liner Skimmer Replacement Parts

Item	Part No.	Description	List (US \$)
1	519-6460WWB	Logo Lid Insert	**
2	819-0005B	Screw #8 32 x 7/16" (2 required)	**
3	519-9500B	Square Lid	14.75
3a	540-6490WWB	Square Lid with Logo Insert	29.25
4	519-3250B	Basket Handle	3.39
5	519-6480B	Vacuum Plate - Twist-Lock (2013 & older)	**
5a	519-6480-R1B	New Vacuum Plate (2014 & newer)	22.12
6	519-3240B	Basket - 8.12" diameter x 5.25" H	12.09
6a	542-3240B	Basket Assembly with Handle	15.83
7	519-9510B	Square Collar	22.10
8	519-949xB	Extended Collar Deck Flange - Square	13.91
9	819-6945B	Screw #12 x 1 1/4" PFH (12 required)	1.04
9a	819-0030B	#12 x 1 1/4" Philips Pan Head Screw SS (12 Required)	1.04
10	519-9530B	Mounting Plate - Standard	23.80
10a	519-9550B	Mounting Plate - Wide Mouth	32.08
11	711-9510B	Gasket - Standard (2 required)	**
11a	711-9520B	Gasket - Wide Mouth (2 required)	**
12	713-9520B	Spacer (3 required)	15.12
13	550-995xB	Weir Door Assembly	**
14	519-6470B	Diverter Plate	6.28
15	819-4350B	Screw - 8 x 5/8"	**
16	715-9910B	2" NPT Plug	**
17	519-6450B	Pool Skimmer Lid - R1	27.55
18	519-6420B	Mounting Ring	24.90

** Please request price quote.



Replacement Parts / Renegade Fiberglass Skimmer



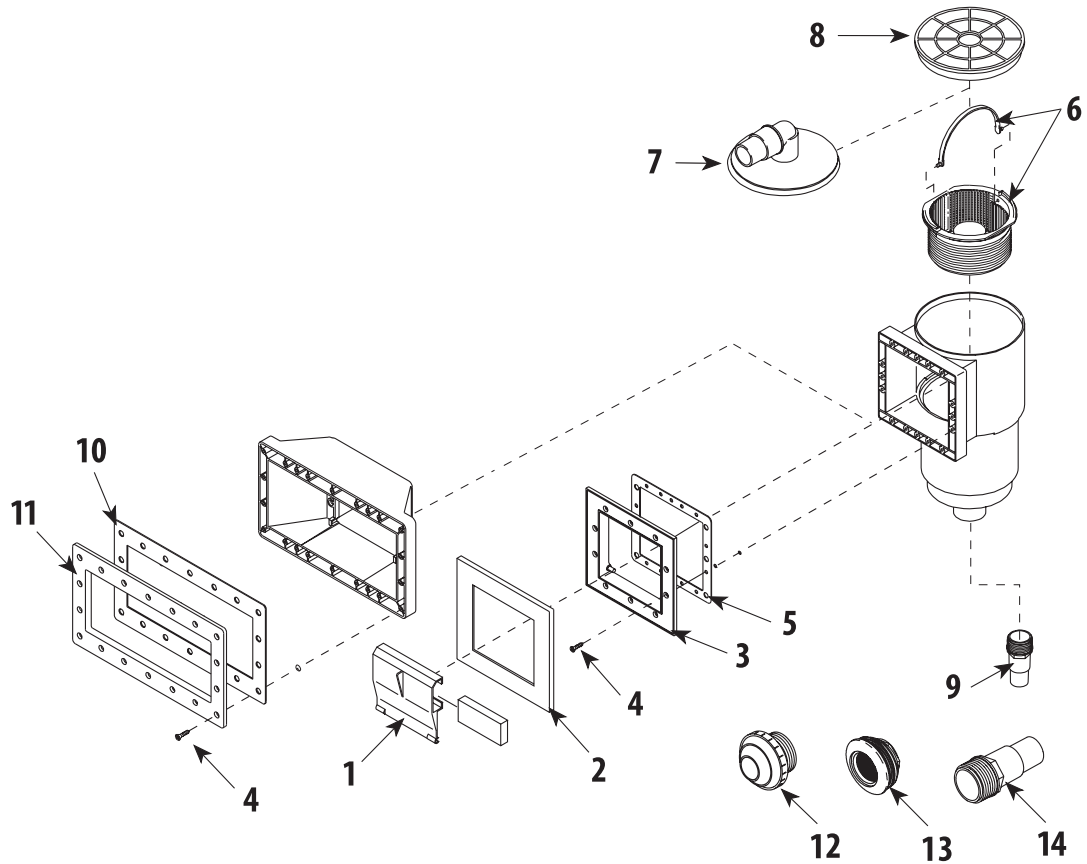
Renegade Fiberglass Skimmer Replacement Parts

Item	Part No.	Description	List (US \$)
1	519-6460WWB	Logo Lid Insert	**
2	819-0005B	Screw #8-32 x 7/16" Phil Pan Head (2 required)	**
3	519-9500B	Square Lid	14.75
3a	540-6490WWB	Square Lid with Logo Insert	29.25
4	519-3250B	Basket Handle	3.39
5	519-6480B	Vacuum Plate - Twist-Lock (2013 & older)	**
5a	519-6480-R1B	New Vacuum Plate (2014 & newer)	22.12
6	519-3240B	Basket - 8.12" diameter x 5.25" H	12.09
6a	542-3240B	Basket Assembly with Handle	15.83
7	820-4110B	Screw Lock (2 required)	**
8	519-9510B	Square Collar	22.10
9	519-6560B	Mounting Ring Extension (2 included)	13.91
10	819-6950B	Screw #12 x 1 1/2" PFH Type B (12 required)	3.56
11	519-9530B	Mounting Plate	23.80
12	819-0030B	Screw #12 x 1 1/4" PPH Stainless Steel (4 required)	0.88
13	550-995xB	Weir Door Assembly	**
14	519-6470B	Diverter Plate	6.28
15	819-4350B	Screw #8 x 5/8" PNHD Phil	**
16	715-9910B	2" NPT Plug	**
17	519-6450B	Pool Skimmer Lid - R1	27.55
18	519-6420B	Mounting Ring	24.90

** Please request price quote.



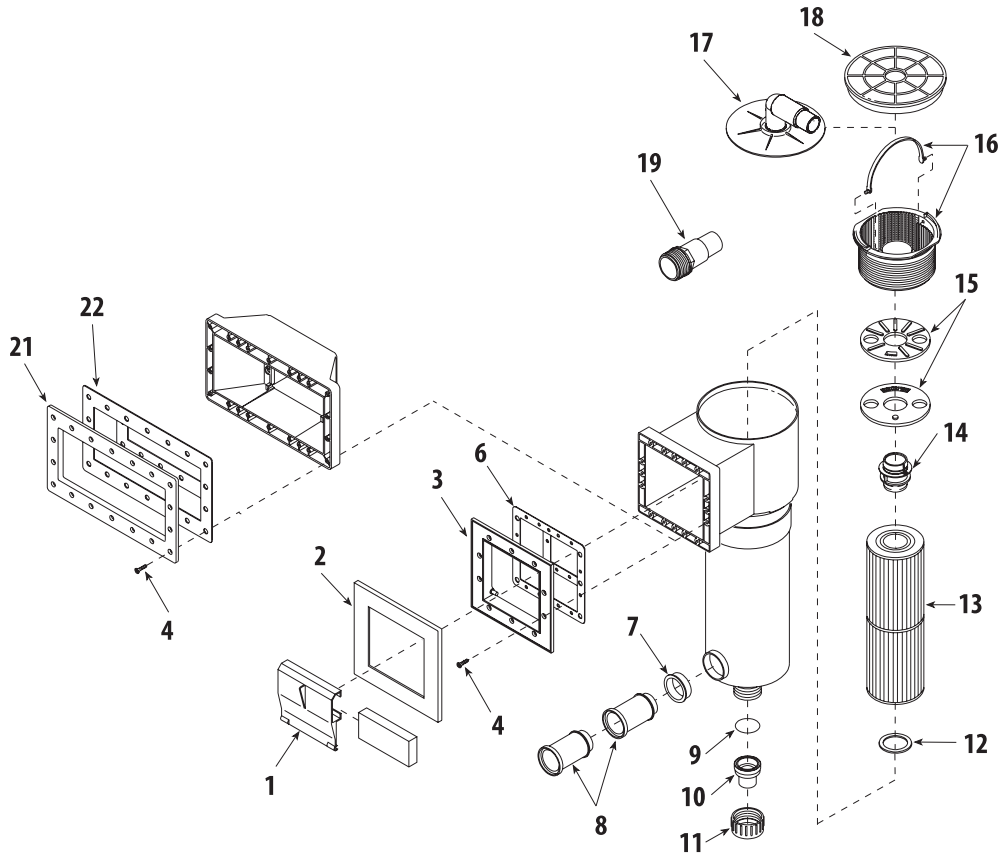
Replacement Parts / Flo-Pro II Above Ground Skimmer



Flo-Pro II Above-Ground Skimmer Replacement Parts

Item	Part No.	Description	List (US \$)
1	542-3060B	Weir Door Assembly with Foam	12.81
2	519-3090B	Trim Plate <i>(optional)</i>	16.42
3	519-3180B	Mounting Plate - Front Access	18.77
4	819-0006B	Screw - #12 x 1 1/4" PFH 18-8 Sms <i>(10 for Regular Skimmer; 18 for Wide Mouth)</i>	0.87
5	711-0060B	Anti-Rust Wall Protection Gasket - Regular	11.73
6	550-1030B	Basket Assembly with Handle - 6.38" diameter x 4.10" H	16.45
7	519-3150B	Vacuum Plate - Front Access with 90° Elbow	15.09
8	519-3030B	Lid - Front Access	7.53
9	417-6140B	Hose Adapter - 1 1/2" MPT x 1 1/2" Hose	3.20
	417-6150B	Hose Adapter - 1 1/2" Barb <i>(optional)</i>	3.81
10	711-0070B	Anti-Rust Wall Protection Gasket - Wide Mouth	12.75
11	519-4110B	Mounting Plate - Wide Mouth	**
12	400-1410DB	Eyeball Fitting - 3/4" Eyeball	5.56
	400-1410EB	Eyeball Fitting - 1" Eyeball	5.56
13	400-9170B	Return Wall Fitting with Locknut and Gaskets - 1 1/2" FPT	11.28
14	417-6060B	Hose Adapter Fitting - 1 1/2" MPT x 1 1/4" Hose	2.59

** Please request price quote.



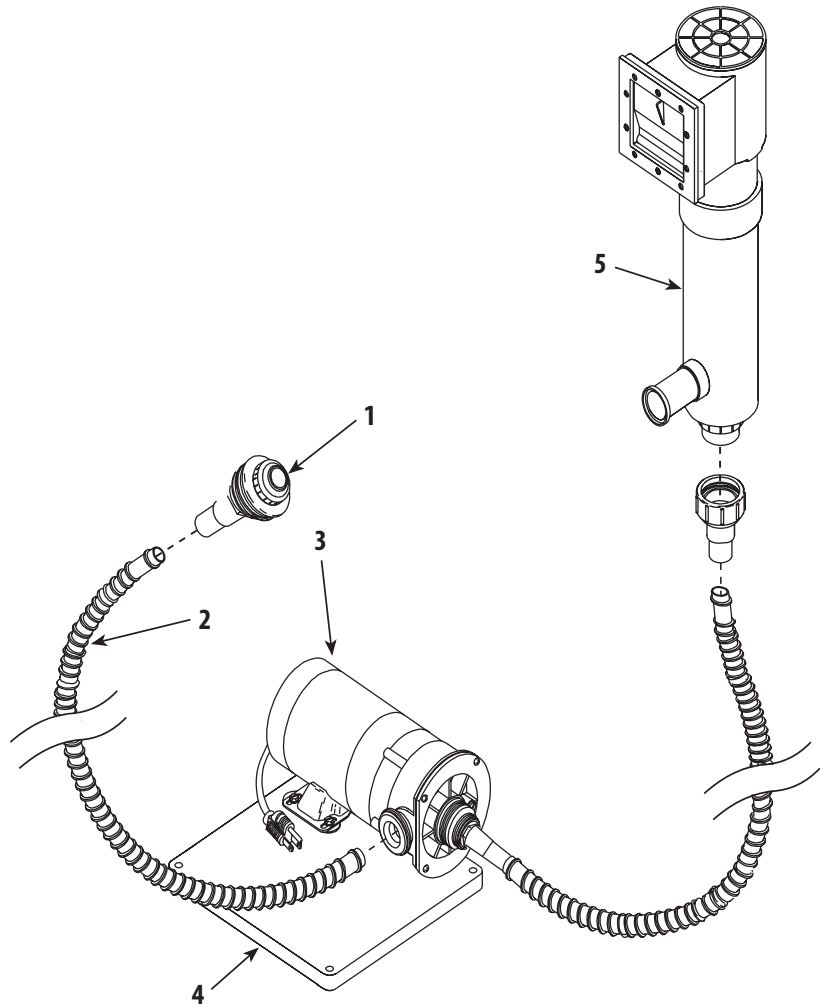
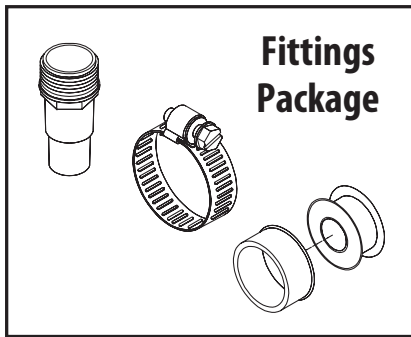
Flo-Pro Skim Filter Replacement Parts

Item	Part No.	Description	List (US \$)
1	542-3060B	Weir Door Assembly with Foam	12.81
2	519-3090B	Trim Plate - Front Access <i>(optional)</i>	16.42
3	519-3080B	Mounting Plate - Front Access - Short Throat Only	**
	519-3180B	Mounting Plate - Front Access - Long Throat Only	18.77
4	819-0006B	Screw - #12 x 1 1/4" PFH 18-8 Sms	0.87
6	711-0060B	Anti-Rust Wall Protection Gasket - Regular	11.73
7	715-2030B	2" Plug	**
8	519-3190B	Support Piece - Short Throat	**
	519-3170B	Extension - Support Piece - Wide Mouth	**
9	805-0226B	O-Ring - Union	0.76
10	417-6020B	1 1/2" Tailpiece x 1 1/2" Hose Adapter Fitting - with O-Ring Groove	3.40
11	415-4000B	1 1/2" Union Nut	3.18
12	711-1010B	Spacer Ring	3.96
13	817-2500B	Filter Cartridge - 25 sq. ft. - 4 15/16" OD x 13 5/16" L	60.22
	817-5000B	Filter Cartridge - 50 sq. ft. - 4 15/16" OD x 13 5/16" L	103.03
14	519-3100B	Collar Plate	7.53
15	519-3010B	Diverter Plate	18.92
16	550-1030B	Basket Assembly with Handle - 6.38" diameter x 4.10" H	16.45
17	519-3150B	Vacuum Plate with 90° Elbow	15.09
18	519-3030B	Lid	7.53
19	417-6060B	Hose Adapter Fitting - 1 1/2" MPT x 1 1/4" Hose Barb	2.59
21	519-4110B	Mounting Plate - Wide Mouth	**
22	711-0070B	Anti-Rust Wall Protection Gasket - Wide Mouth	12.75

** Please request price quote.



Replacement Parts / TWM Skim Filter



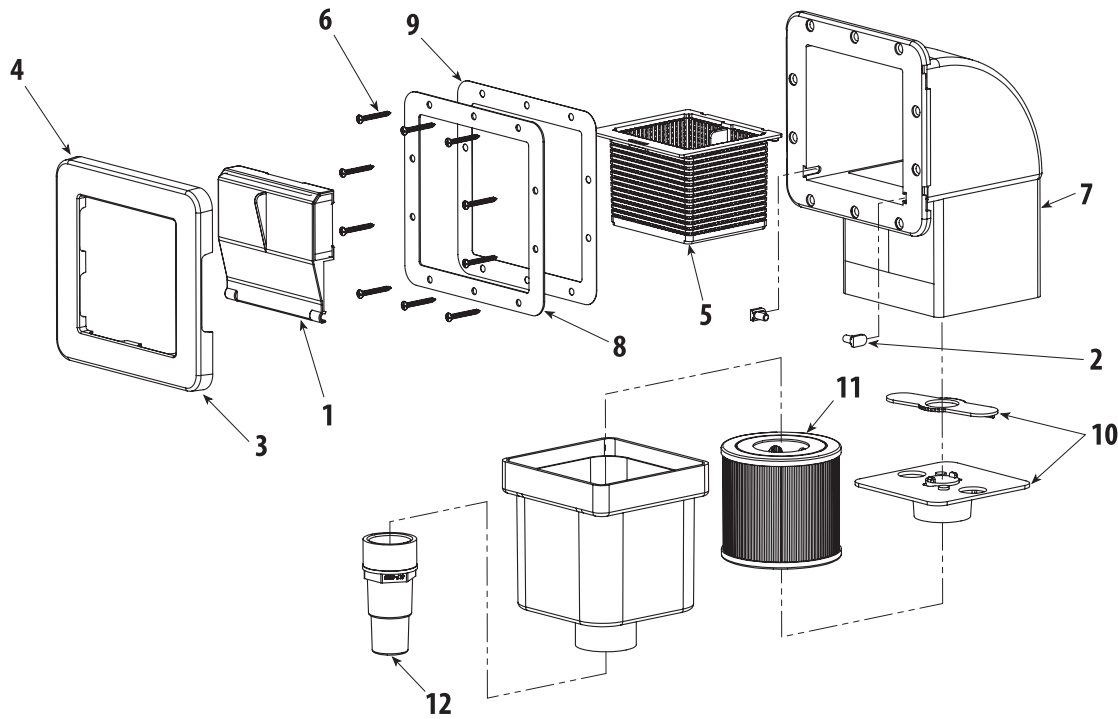
TWM Skim Filter Replacement Parts

Item	Part No.	Description	List (US \$)
1	550-9340B	Deluxe Return 1" Eyeball Fitting	19.44
2	872-9000B	Corrugated Hose - 1 1/2" x 6 ft.	**
3	--	Pump	**
4	672-1010B	Equipment Base - 1" x 14 1/2" x 15"	36.75
5	560-J0A50TB	Skim Filter Assembly - 50 sq. ft.	**

Fittings Package Contents

Item	Part No.	Description	List (US \$)
--	417-6061B	1 1/2" MPT x 1 1/4" Hose Adapter Fitting (2 required)	3.17
--	872-0011B	2 1/2" Hose Clamp - Stainless Steel (4 required)	**
--	902-2000B	Teflon Tape - 1/2" x 100" roll	6.30

** Please request price quote.



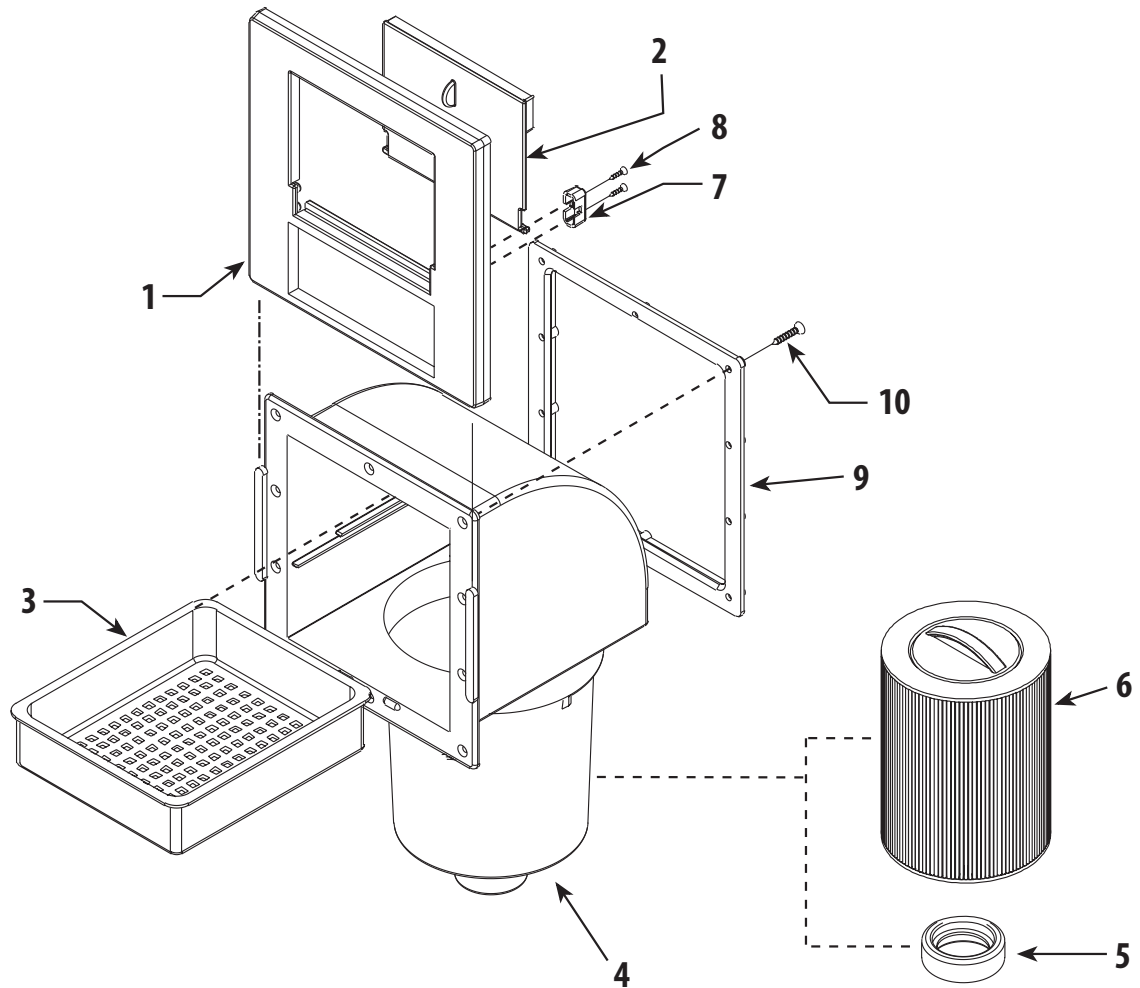
Spa Skimmer and Skim Filter Replacement Parts

Item	Part No.	Description	List (US \$)
1	550-4050B	Weir Door with Foam - Square Spa Skimmer	15.91
2	519-4020B	Hinge - Square Skim Filter - White	2.31
3	916-1010B	Stainless Steel Escutcheon <i>(optional)</i>	32.50
4	519-4090B	Square Trim Plate - Plastic - Old Style	15.80
5	519-4030B	Basket - 4.80" x 5.10" x 3.45" H	13.94
6	819-6930B	Screw - #8 x 1 1/2" Flathead Phillips	**
7	550-4060B	1 1/2" Square Body with Base	**
	550-4080B	1 1/2" Square Body - 10 sq. ft. Skim Filter	**
	550-4090B	1 1/2" Square Body - 20 sq. ft. Skim Filter	**
8	806-1070B	Gasket - Mounting Plate	**
9	519-1600B	Mounting Plate <i>(optional)</i>	15.82
10	550-1500B	Diverter Plate Assembly	**
11	817-0010B	Filter Cartridge - 10 sq. ft. - 4 1/4" OD x 4" L	**
12	417-6080B	Hose Adapter Fitting - 1 1/2" Spigot x 1 1/4" Hose <i>(optional)</i>	3.18

** Please request price quote.



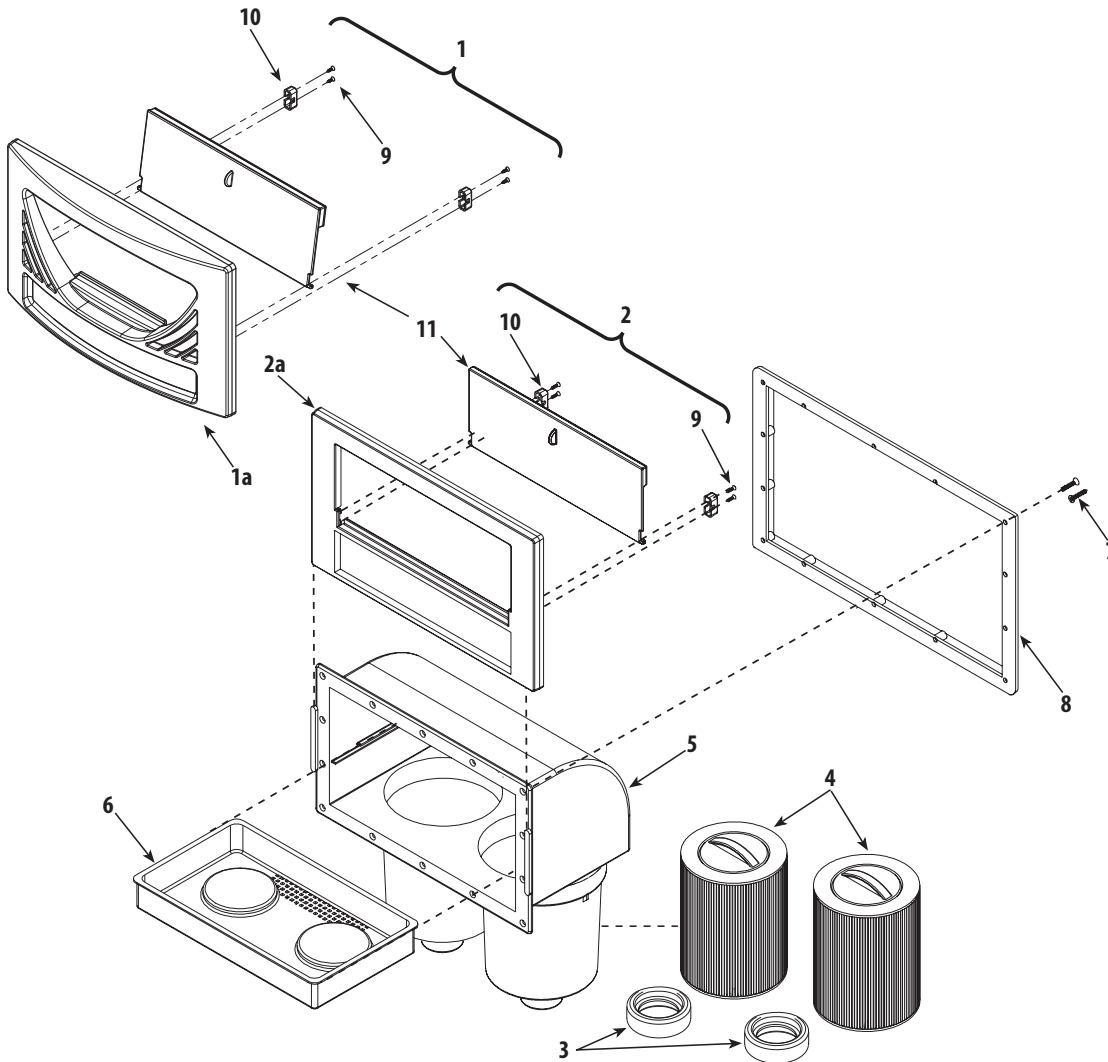
Replacement Parts / 50 sq. ft. Skim Filter



50 sq. ft. Skim Filter Replacement Parts

Item	Part No.	Description	List (US \$)
1	519-9010B	Front Plate	47.26
2	550-9000B	Weir Door Assembly	27.61
3	519-9050B	Basket	18.81
4	550-9010B	Filter Body Assembly - 50 sq. ft.	113.06
5	519-6640B	Retainer Ring	14.10
6	817-0050B	50 sq. ft. Filter Cartridge - 6" OD x 8 1/4" L	86.11
7	519-6240B	Hinge Mount	**
8	819-3260B	Screw - #6 - 20 x 5/8" POH	0.29
9	519-9040B	Mounting Plate	**
10	819-0006B	Screw - #12 x 1 1/4" PFH	0.87

** Please request price quote.



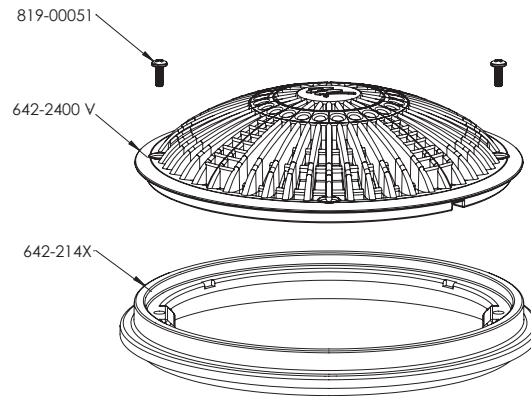
100 sq. ft. Skim Filter Replacement Parts

Item	Part No.	Description	List (US \$)
1	550-6630B	Front Access Plate Assembly - Oval	**
1a	519-6630B	Blank Front Access Plate - Oval	**
2	550-6610B	Front Access Plate Assembly - Flat	**
2a	519-6650B	Blank Front Access Plate	**
3	519-6640B	Retainer Ring	14.10
4	817-0050B	50 sq. ft. Filter Cartridge - 6" OD x 8 1/4" L	86.11
5	550-6620B	Filter Body Assembly	**
6	519-6610B	Basket	**
7	819-0030B	Screw - #12 x 1 1/4" PFH	0.88
8	519-6680B	Mounting Plate	**
9	819-3260B	Screw - #6 -20 x 5/8" POH	0.29
10	519-6240B	Hinge Mount	**
11	550-6600B	Weir Door Assembly	**

** Please request price quote.

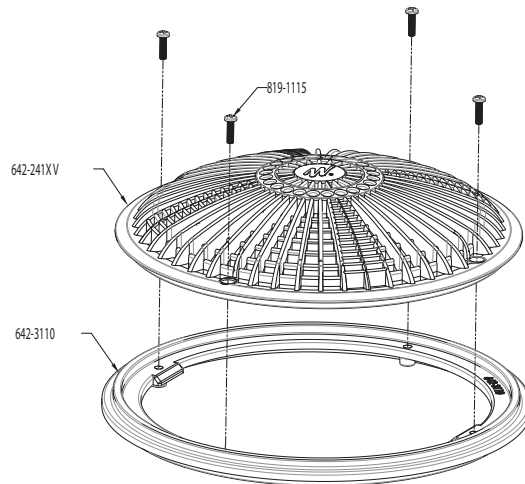


Replacement Parts / VGB Drains



Tru Flo 8" Drain Cover Replacement Parts

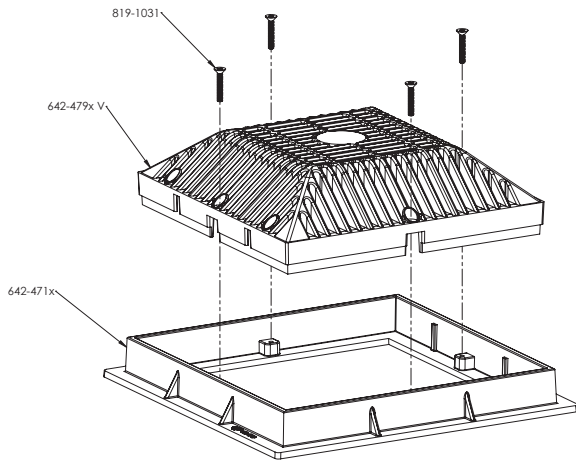
Item	Part No.	Description	List (US \$)
1	819-0051B	#8 Stainless Steel Screw - 32 x 7/16	**
2	642-2400 VB	8" Tru Flo Drain Cover	**
3	642-214XB	8" Tru Flo Drain Frame	**
4	640-234x VB	8" Tru Flo Drain Cover and Ext. Collar Assy	**



Tru Flo 10" Drain Cover Replacement Parts

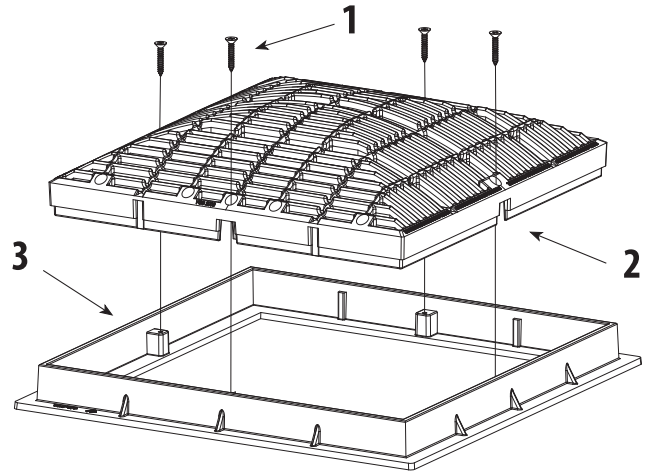
Item	Part No.	Description	List (US \$)
1	819-1115B	#8 Stainless Steel Screw - 32 x 5/8	1.29
2	642-241X VB	10" Tru Flo Drain Cover	**
3	642-311XB	10" Tru Flo Drain Frame	**
4	640-191x VB	10" Tru Flo Drain Cover and Ext. Collar Assy	**

** Please request price quote.



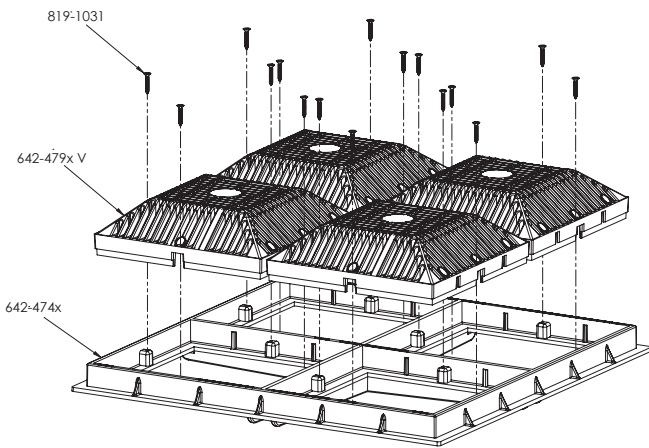
9" x 9" Grate & Frame Replacement Parts

Item	Part No.	Description	List (US \$)
1	819-1031B	#8 x 1 Stainless Steel Screw	1.93
2	642-479x VB	9" x 9" Pool Grate	**
3	642-471xB	9" x 9" Grate Frame	**



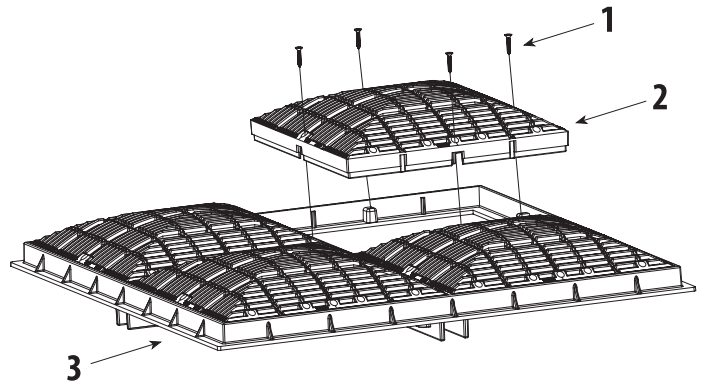
12" x 12" Grate & Frame Replacement Parts

Item	Part No.	Description	List (US \$)
1	819-1031B	#8 x 1 Stainless Steel Screw	1.93
2	642-4720 VB	12" x 12" Pool Grate	95.85
3	642-4730B	12" x 12" Grate Frame	**



18" x 18" Grate & Frame Replacement Parts

Item	Part No.	Description	List (US \$)
1	819-1031B	#8 x 1 Stainless Steel Screw	1.93
2	642-479x VB	9" x 9" Pool Grate	**
3	642-474XB	18" x 18" Grate Frame	**



24" x 24" Grate & Frame Replacement Parts

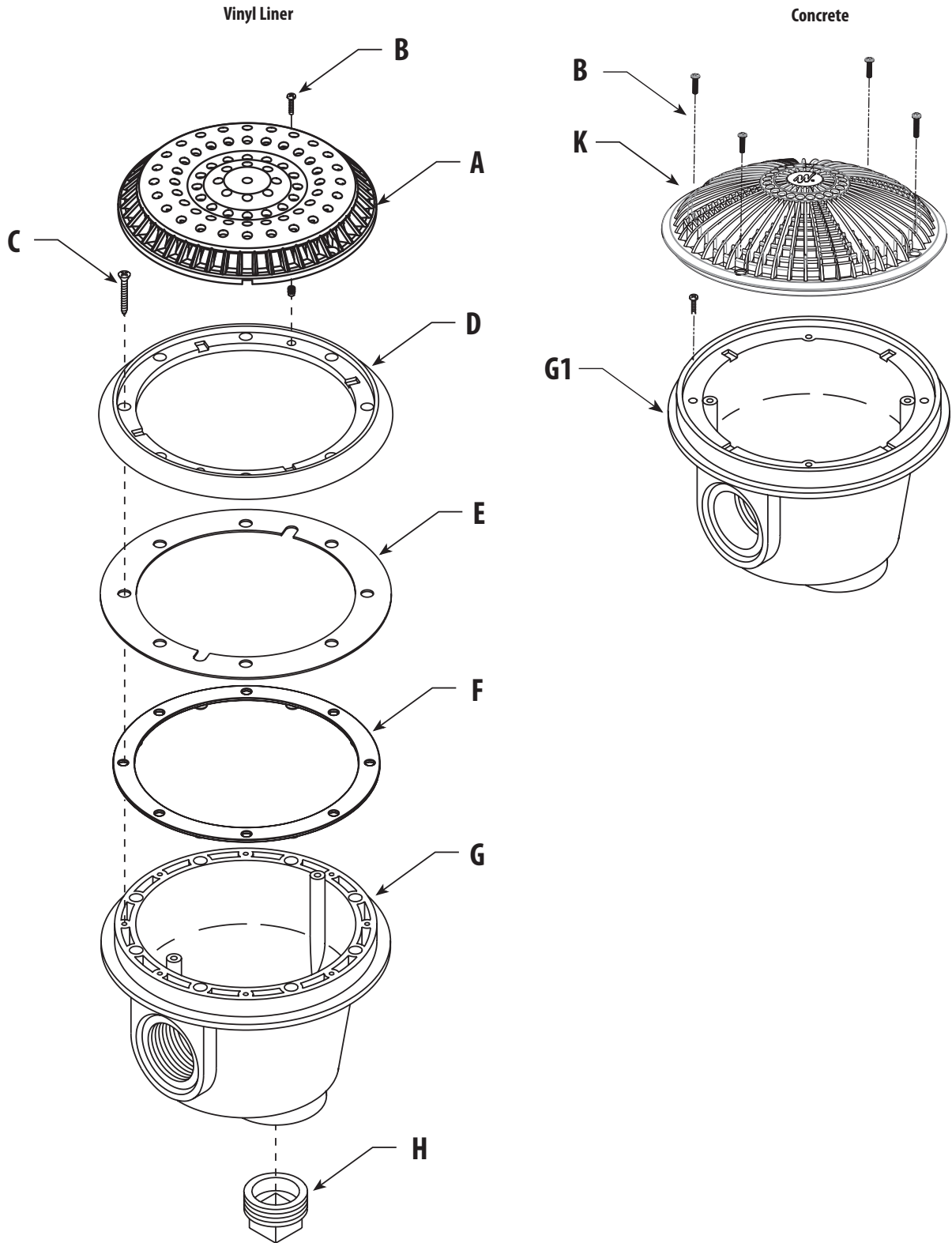
Item	Part No.	Description	List (US \$)
1	819-1031B	#8 x 1 Stainless Steel Screw	1.93
2	642-4720 VB	12" x 12" Grate	95.85
3	642-4760B	24" x 24" Grate Frame	**

Replacement Parts

** Please request price quote.



Replacement Parts / Main Drains





Main Drain Replacement Parts

Item	Part No.	Description	List (US \$)
A	645-2150 VB	8" Anti-Vortex Cover - White <i>(with screws)</i>	**
	645-2151 VB	8" Anti-Vortex Cover - Black <i>(with screws)</i>	**
	645-2157 VB	8" Anti-Vortex Cover - Gray <i>(with screws)</i>	**
	645-2159-DKG VB	8" Anti-Vortex Cover - Dark Gray <i>(with screws)</i>	**
	645-2159-BEI VB	8" Anti-Vortex Cover - Beige <i>(with screws)</i>	**
	645-2159-DKB VB	8" Anti-Vortex Cover - Dark Blue <i>(with screws)</i>	**
B	819-0005B	Cover Screws <i>(Anti-Vortex only)</i> (2 required)	**
C	819-6940B	Mounting Screw (8 required)	2.19
D	642-2090B	Vinyl Liner Main Drain Mounting Plate - White	20.16
	642-2091B	Vinyl Liner Main Drain Mounting Plate - Black	20.16
	642-2097B	Vinyl Liner Main Drain Mounting Plate - Gray	20.16
E	806-3000B	Gasket - Vinyl Liner Main Drain Assembly(1 required)	10.30
F	711-2600B	Gasket - Vinyl Liner Main Drain Body (Stay-In-Place) (1 required)	11.13
G	672-2420B	Body - Main Drain Vinyl Liner - 1 ½" FPT	**
	672-2530B	Body - Main Drain Vinyl Liner - 2" FPT	**
	672-2430B	Body - Main Drain Vinyl Liner - 1 ½" S	**
	672-2520B	Body - Main Drain Vinyl Liner - 2" S	**
G1	672-2500B	Body - 8" Main Drain Concrete - 2" FPT <i>(bulk packed)</i>	**
	672-2410B	Body - 8" Main Drain Concrete - 1 ½" S <i>(bulk packed)</i>	**
	672-2510B	Body - 8" Main Drain Concrete - 2" S <i>(bulk packed)</i>	**
H	715-1230B	1 ½" NPT Plug	**
	715-9910B	2" NPT Plug	**
K	642-2400 VB	8" Tru Flo Drain Cover - White	**
	642-2401 VB	8" Tru Flo Drain Cover - Black	**
	642-2407 VB	8" Tru Flo Drain Cover - Gray	**
	642-2409-DKG VB	8" Tru Flo Drain Cover - Dark Gray	**
	642-2409-BEI VB	8" Tru Flo Drain Cover - Beige	**
	642-2410 VB	10" Tru Flo Drain Cover - White	**
	642-2411 VB	10" Tru Flo Drain Cover - Black	**
	642-2417 VB	10" Tru Flo Drain Cover - Gray	**
	642-2419-DKG VB	10" Tru Flo Drain Cover - Dark Gray	**
	642-2419-BEI VB	10" Tru Flo Drain Cover - Beige	**

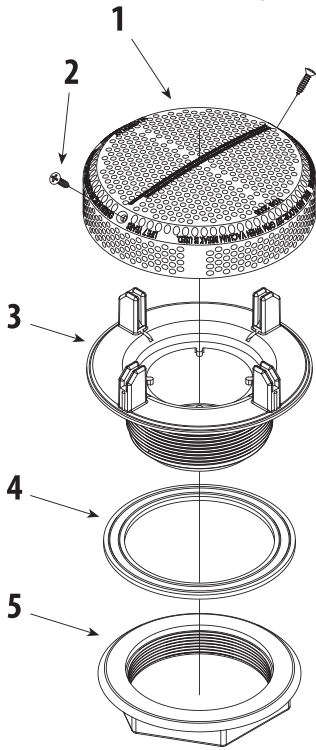
Vinyl Liner Drain Cover Kit

Item	Part No.	Description	Qty	List (US \$)
	640-2260 VB	Vinyl Liner Tru Flo Kit VGB2008 - White	25 (indiv.)	**
	640-2261 VB	Vinyl Liner Tru Flo Kit VGB2008 - Black	25 (indiv.)	**
	640-2267 VB	Vinyl Liner Tru Flo Kit VGB2008 - Gray	25 (indiv.)	**

** Please request price quote.



Replacement Parts / VGB Suctions / Strip Drains



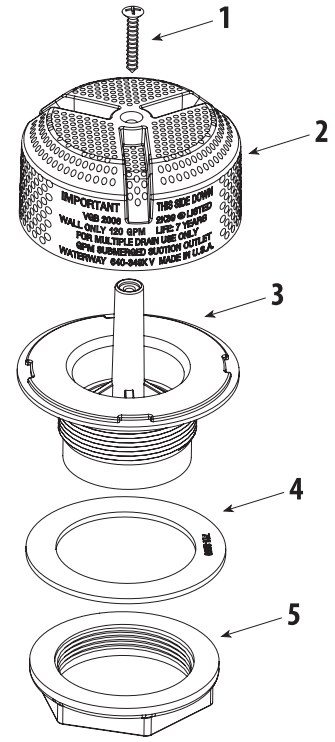
Super Hi-Flo Suction

Super Hi-Flo Suction Replacement Parts

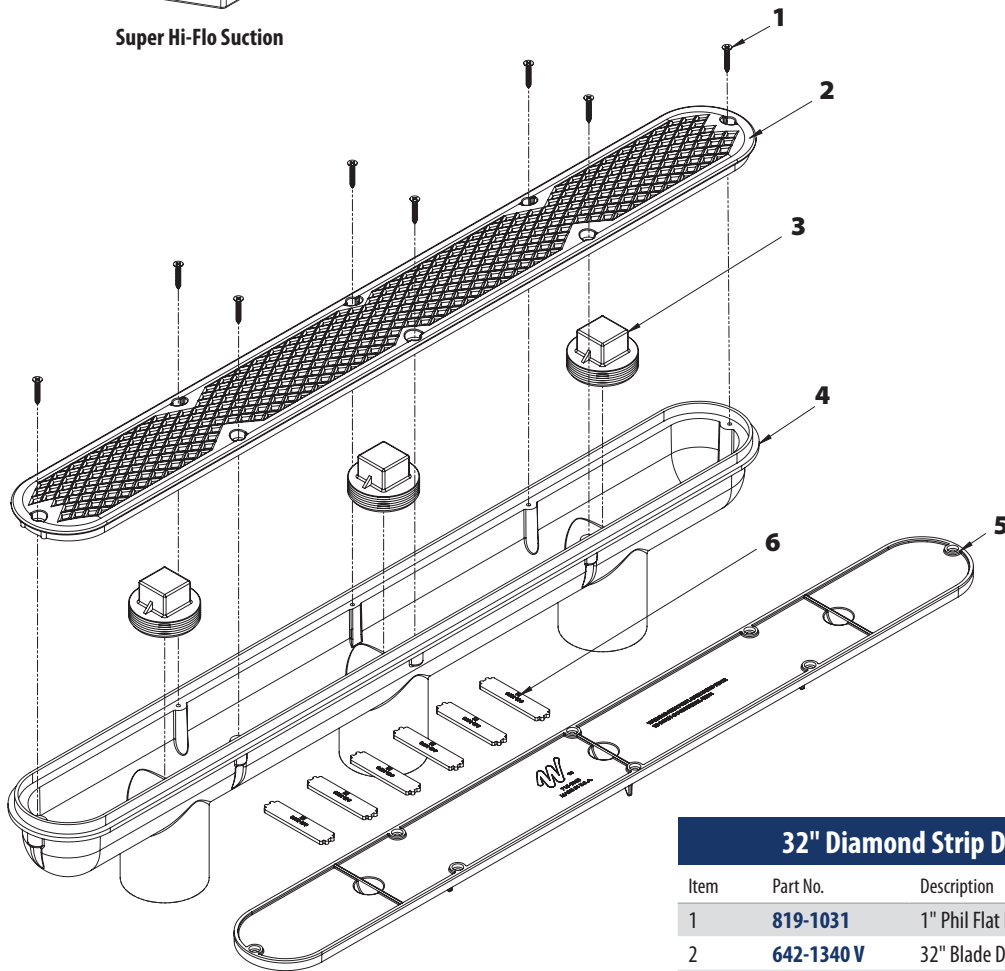
Item	Part No.	Description	List (US \$)
1	642-3630B V	Suction Cover	9.89
	819-1251	Suction Cover (Stainless Steel)	**
2	819-1250B	#6 Stainless Steel Screw - 20 x 5/8"	**
3	215-3620B	2" Wall Fitting (for 640-357xV)	12.27
	215-3610B	2 1/2" Wall Fitting (for 640-358xV)	12.27
4	711-3260B	Gasket	1.65
5	642-3620B	Wall Fitting Nut	4.62

Ultra Hi-Flo Suction Replacement Parts

Item	Part No.	Description	List (US \$)
1	642-3270B V	Tall Suction Cover	**
2	819-0024B	Stainless Steel Screw - #10 x 1"	1.27
3	215-3270B	1 1/2" Wall Fitting for Tall Suction	**
4	711-3250B	Gasket	0.80
5	718-3150B	Wall Fitting Nut	**



Ultra Hi-Flo Suction



32" Diamond Strip Drain

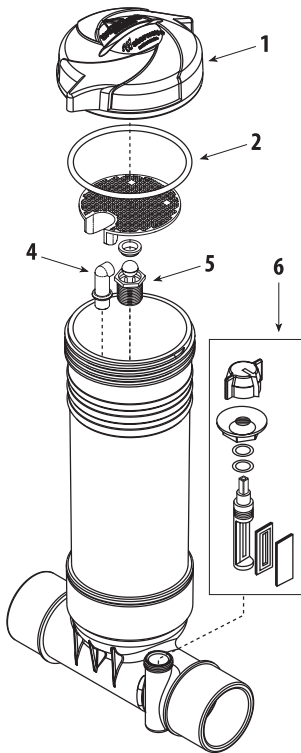
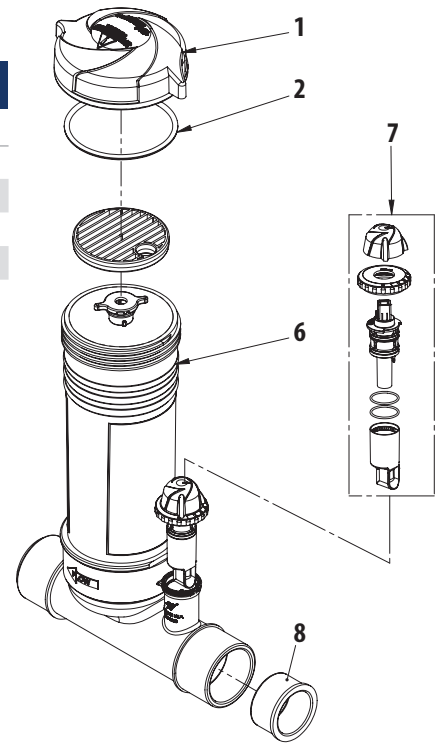
32" Diamond Strip Drain Replacement Parts

Item	Part No.	Description	List (US \$)
1	819-1031	1" Phil Flat Head Type A 316 S/S Screw	1.53
2	642-1340 V	32" Blade Diamond Design VBG2008	142.42
3	715-9910	2" NPT Plug	2.75
4	642-1320	32" Plaster Body Drain	213.62
5	715-1360	32" Plaster Plug	11.93
6	642-1390	32" Drain Support Brace	**



New Style In-Line Chlorinator (2007 and Later) Replacement Parts

Item	Part No.	Description	List (US \$)
1	519-1160B	Cap, Lid - In Line Chlorinator	**
2	805-0348VB	O-Ring	12.58
6	515-1170B	Upper Body, Chlorinator	40.26
7	600-1287B	Flow Valve Assembly	37.36
8	421-4070B	Reducer Bushing 2" SPG x1 1/2" S	3.36

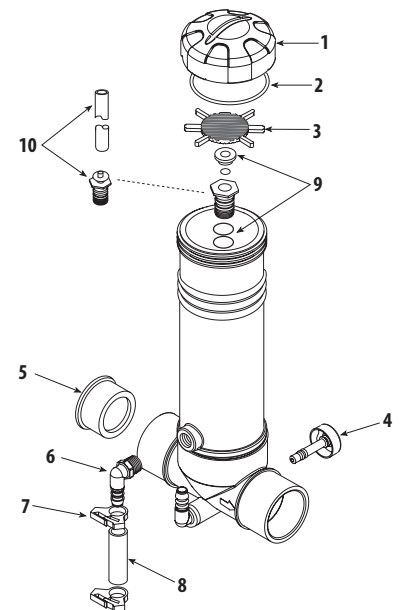


In-Line Chlorinator (2002 - 2007) Replacement Parts

Item	Part No.	Description	List (US \$)
1	519-1167B	Lid	21.22
2	805-0348VB	Lid O-Ring	12.58
4	411-1170B	90° Elbow - 1/4" Pipe	5.52
5	600-1180B	Flow Valve Assembly	12.24
6	600-1190B	Stem Assembly with O-Ring	26.96

In-Line Chlorinator (2002 and Previous) Replacement Parts

Item	Part No.	Description	List (US \$)
1	519-1181B	Lid	**
2	805-0340VB	O-Ring - Lid	**
3	319-0041B	Filter Screen	**
4	600-0051B	Valve Stem Assembly	**
5	421-4070B	Reducer - 1 1/2" Socket x 2" Spigot	3.36
6	400-0021B DISCONTINUED	Elbow Assembly - 1/2" NPT x 1/2" Barb	**
7	872-2290B	1/2" Hose Clamp	3.14
8	519-7361B	3" Flex Hose	4.25
9	550-2120B	Coupler Assembly	**
10	550-2130B	Bromine Conversion Assembly for 1" Tablets	**

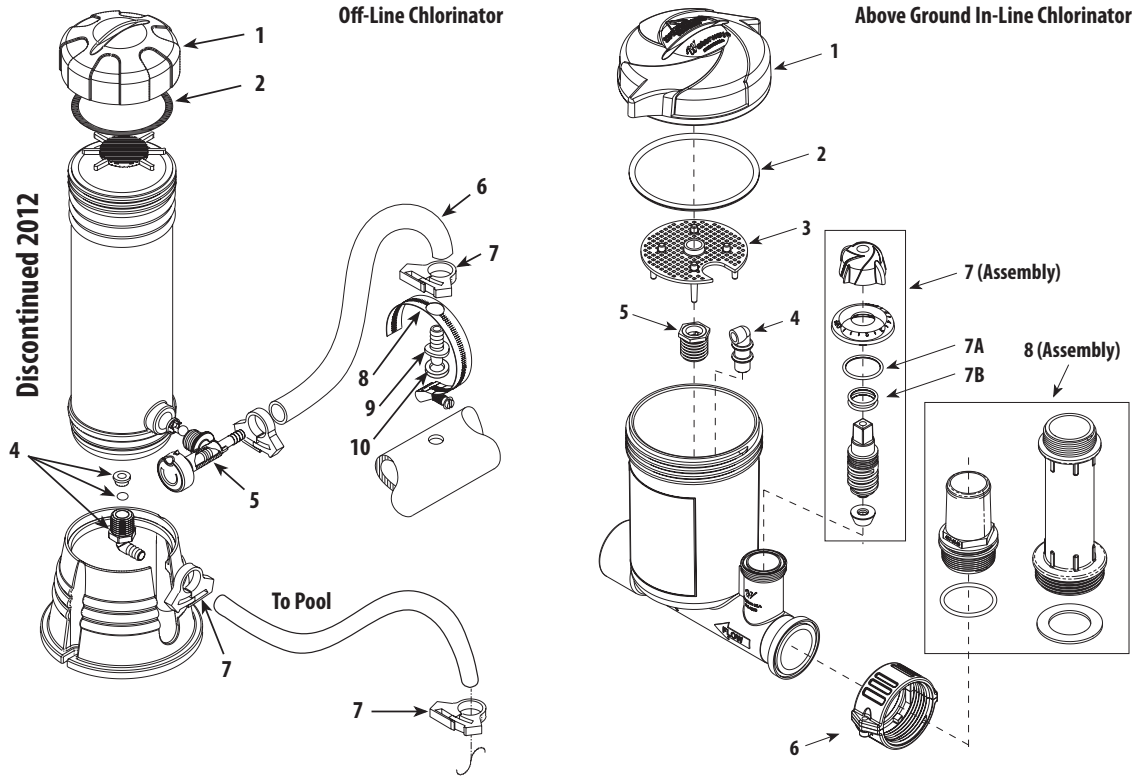


Replacement Parts

** Please request price quote.



Replacement Parts / Off-Line and Above Ground Chlorinators



Off-Line Chlorinator Replacement Parts

Item	Part No.	Description	List (US \$)
1	519-1181B	Lid	**
2	805-0340VB	O-Ring - Lid	**
4	600-1151B	Bottom Check Valve Assembly	**
5	600-0101B	Off-Line Valve Assembly	**
6	872-2240B	3/8" inner diameter x 1/2" outer diameter Tubing (per ft.)	**
7	872-2291B	3/8" Hose Clamp	2.01
8	872-0011B	2 1/2" Hose Clamp - Stainless Steel	**
9	425-1181B	3/8" Pipe Adapter	**
10	806-0003B	Gasket	**

Above Ground In-Line Chlorinator Replacement Parts

Item	Part No.	Description	List (US \$)
1	519-1167B	Lid	21.22
2	805-0348VB	O-Ring - Lid	12.58
3	519-1250B	Filter Screen - 1 1/2"	7.78
4	411-1170B	90° Elbow - 1/4"	5.52
5	600-1180B	Check Valve Assembly	12.24
6	400-5461B	1 1/2" Split-Nut Union Assembly (with Screws)	6.27
7	600-1207B	Dial Stem Assembly	26.96
7A	805-0124VB	O-Ring - Stem Assembly	5.68
7B	805-0118VB	O-Ring - Stem Assembly	5.26
8	400-9820B	Chlorinator Fitting - 1 1/2" Sub Assembly	20.23

** Please request price quote.