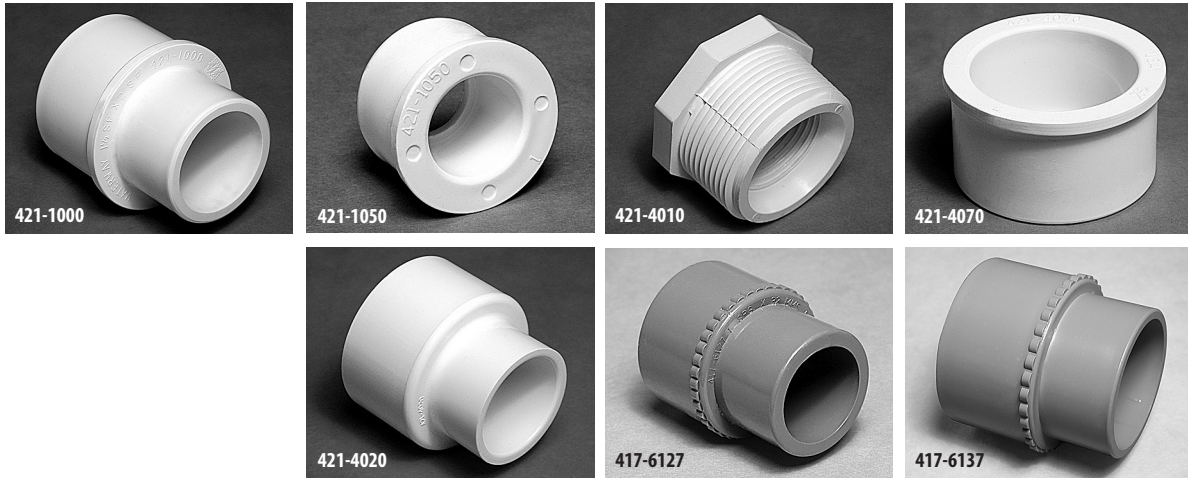




Spa Miscellaneous & Accessories / Thermowells



Thermowells			
Part No.	Description	Case Quantity	List (US \$)
400-4420	Mini Thermowell Assembly	100	13.66
400-4360	Thermosensor with Probe Protector	150	13.02
400-5540	90° Ell - 1 1/2" S x 1 1/2" S - with 2 Thermowells and Bushings	80	13.34
411-5520	Ell - 1 1/2" S x 1 1/2" S - with 2 Thermowells	80	9.69
400-5580	Ell - 1 1/2" S x 1 1/2" S - with Thermowell and Bushing	100	13.34
411-5540	90° Ell - 1 1/2" S x 1 1/2" S - with Thermowell	25	9.69
400-6040	90° Ell - 2" S x 2" Spigot x 3/8" Air Bleed - with Thermowell and 2 Bushing	60	14.87
411-6040	90° Ell - 2" S x 2" Spigot x Air Bleed - with Thermowell	60	13.58
805-0014	O-Ring for 90° Ell - 2" S x 2" Spigot x Air Bleed	100	0.58
811-8160	Bushing for Ells - 1 1/2" S x 1 1/2" S	100	0.90



Reducers

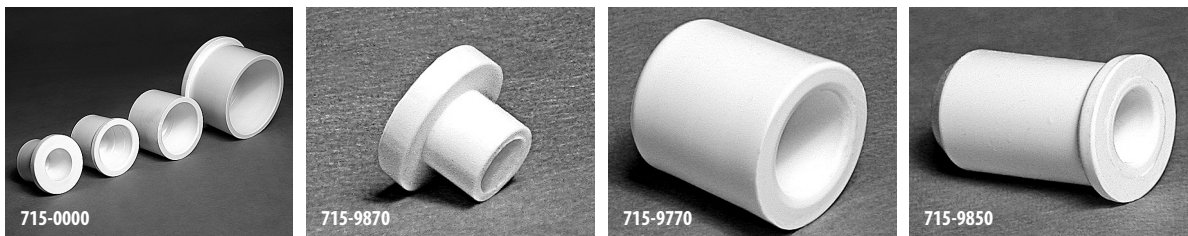
Part No.	Description	Case Quantity	List (US \$)
421-1000	Reducer - 2" Spigot x 1 1/2" Spigot	50	4.67
421-1050	Reducer - 1" Spigot x 1/2" S	225	1.77
421-4010	Reducer - 1 1/4" MPT x 1/2" FPT	150	8.36
421-4030	Reducer - 1 1/2" Spigot x 1" Spigot	100	4.03
421-4070	Reducer - 1 1/2" Socket x 2" Spigot	100	2.58
421-4020	Bell Reducer - 1 1/2" x 1" S	75	4.03
421-5000	Bell Reducer - 2" S x 1 1/2" S	75	5.02
417-6127	Metric Reducer - 1" Spigot x 32mm S	75	1.88
417-6137	Metric Reducer - 1 1/2" Spigot x 50mm S	50	4.04

Threaded Nipple

Part No.	Description	Case Quantity	List (US \$)
423-4000	1 1/2" Spigot x 1 1/2" MPT	25	6.50

2" Barb Adapter

Part No.	Description	Case Quantity	List (US \$)
417-6197	2" Spigot x 63mm S	50	6.76



Plugs

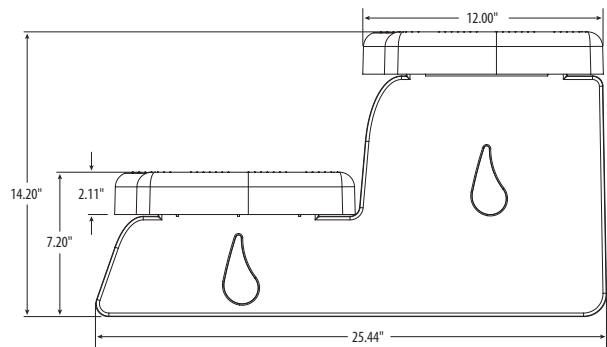
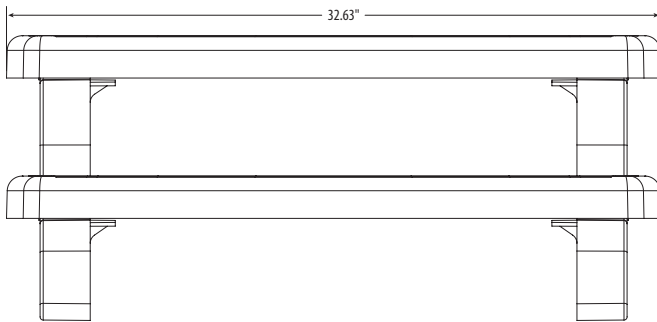
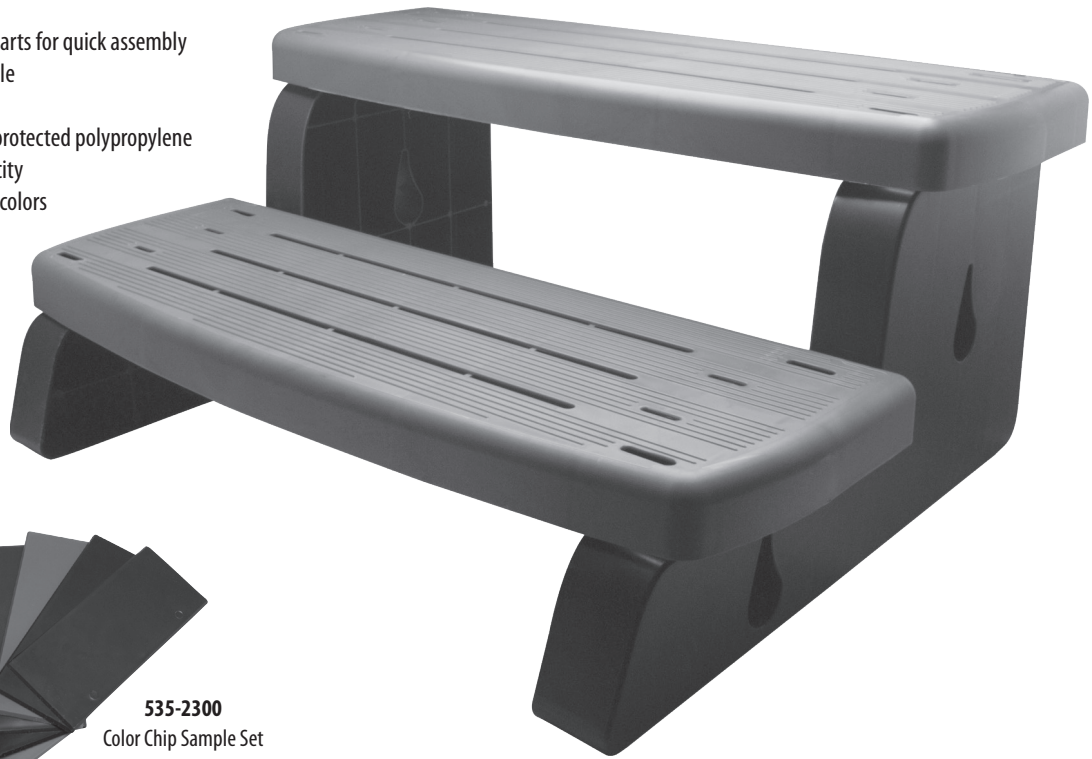
Part No.	Description	Case Quantity	List (US \$)
715-0000	1/2" Spigot	800	1.19
715-9890	3/4" Spigot	600	1.23
715-2000	1" Spigot	200	1.30
715-4000	1 1/2" Spigot	100	2.01
715-9880	2" Spigot	100	2.64
715-9870	3/8" Barb	100	1.01
715-0040	3/4" SmartPlumb Barb (New Style)	1300	0.95
715-9860	3/4" Barb (Old Style)	1000	0.95
715-9770	Cap Style - 3/8" RB	1500	1.01
715-9850	3/8" Hose	3000	0.64



Spa Miscellaneous & Accessories / Spa Steps

FEATURES:

- Easy, snap together parts for quick assembly
- Packaged for retail sale
- 33" non-slip treads
- Made of durable UV protected polypropylene
- 800 lbs. weight capacity
- Available in multiple colors



Note: The pallet price of same colors is \$42.57. Standard shipping applies.

Spa Steps				
Part No.	Description	Color	Pallet Qty	List (US \$)
535-2209-BRK	33" Spa Step Assembly	Bark	32	162.08
535-2209-CIN	33" Spa Step Assembly	Cinnamon	32	162.08
535-2209-GPH	33" Spa Step Assembly	Graphite	32	162.08
535-2209-RDW	33" Spa Step Assembly	Redwood	32	162.08
535-2209-CSG	33" Spa Step Assembly	Coastal Gray	32	162.08
535-2209-MOC	33" Spa Step Assembly	Mocha Coffee	32	162.08
535-2300	Color Chip Sample Set			4.26



FEATURES:

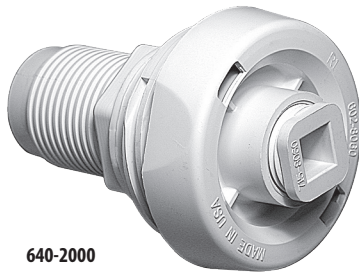
- Low profile design
- Hose bib pulls out for easy access
- Protective cover seals against all possible leak points
- Optional metric adapter
- Plumbs to 3/4" flex hose



600-9101 / 600-9167

Lo-Profile Spa Drain Fill Valve

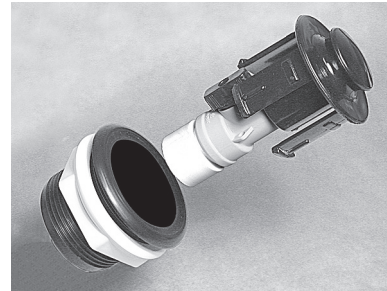
Part No.	Description	Case Quantity	List (US \$)
600-9101	Lo-Profile Drain Fill Valve Assembly	50	18.99
600-9167	Metric Hose Adapter with Gasket	200	2.84



640-2000



400-3031

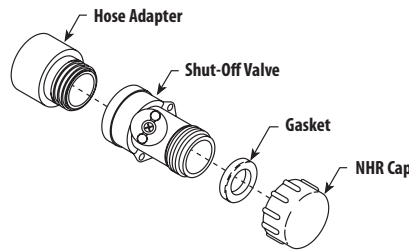


Spa Drain and Fill Niche for Garden Hose Connection

Part No.	Description	Case Quantity	List (US \$)
640-2000	1" S - Spa Drain/Fill Valve Assembly - White	100	19.33
640-2001	1" S - Spa Drain/Fill Valve Assembly - Black	100	19.33
600-9101	3/4" Lo-Profile Drain Fill Valve Assembly	50	18.99
600-9167	Lo-Profile Drain Fill Valve Metric Adapter with Gasket	200	2.84
400-3031	1/2" Hose On/Off Spa Drain Valve with Niche	75	23.03
400-3021	3/4" Hose On/Off Spa Drain Valve with Niche	75	23.03



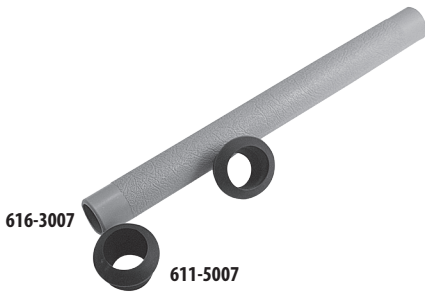
400-2060



400-2100

On/Off Valves for Garden Hose

Part No.	Description	Case Quantity	List (US \$)
400-2060	1/2" Hose On/Off Valve Assembly	125	13.70
400-2070	3/4" Hose On/Off Valve Assembly	125	13.70
400-2100	3/4" SB Hose On/Off Valve Assembly	100	13.70
519-0231	Drain Cap - 1/2" NHR	100	1.72
806-0100	Gasket - 3/4"	50	1.27
872-0004	Shut-Off Valve	250	8.76
413-4400	Adapter - 1/2" S x Male Garden Hose	250	2.60
413-4410	Adapter - 3/4" S x Male Garden Hose	200	2.60



ABS Plastic Hand Rails

Part No.	Description	Case Quantity	List (US \$)
616-4001	18" Hand Rail - Plastic - 1 1/4"	120	8.94
616-3001	12" Hand Rail - Plastic - 1 1/4"	170	5.64
611-5001	1 1/4" Rubber Grommet	300	2.10

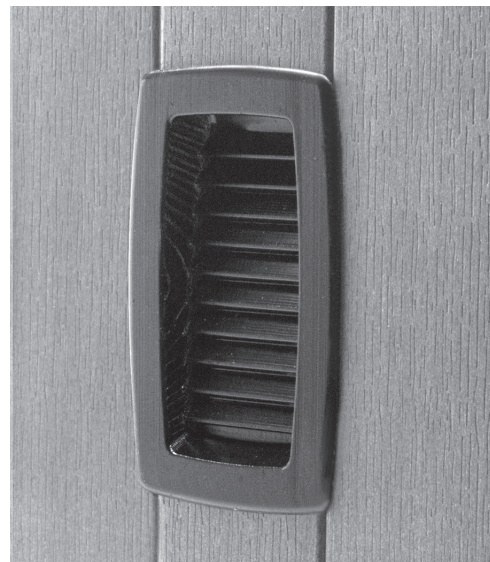


Clear Acrylic Hand Rails

Part No.	Description	List (US \$)
616-1100	11" Clear Acrylic Hand Rail	15.90
616-1300	13" Clear Acrylic Hand Rail	17.36
616-1400	14" Clear Acrylic Hand Rail	18.81
616-1600	16" Clear Acrylic Hand Rail	20.27
616-1800	18" Clear Acrylic Hand Rail	21.70
616-2000	20" Clear Acrylic Hand Rail	23.18
611-6090	Rubber Grommet (<i>no angle</i>)	2.86
611-7000	Rubber Grommet	3.13

FEATURES:

- Easily sandwiches between most T&G skirt panels
- Louvered vent protects against weather and rodent intrusion
- Handle allows for easy removal of skirt panels
- LED compatible
- Available in multiple colors
- Measures 3.5" x 6.25"



Spa Handle Vent

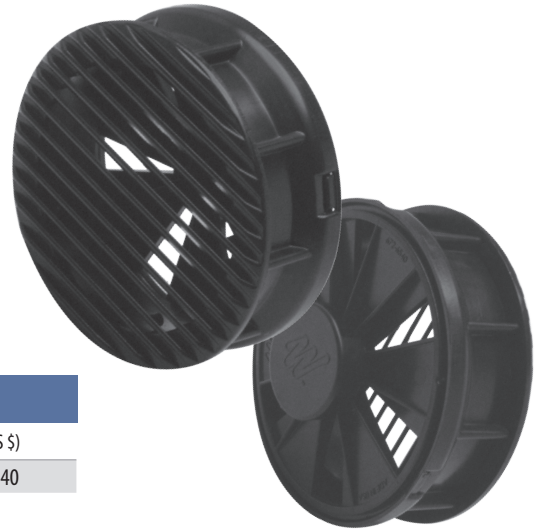
Part No.	Description	List (US \$)
672-6560	Louvered Spa Vent	7.24



FEATURES:

- Automatically adjusts to temperature change:
Closed for cold or freezing conditions;
Open for hot conditions
- Easy through-wall installation
- Louvered grill to protect against weather and rodent intrusion
- Hole Saw Size: 4"

675-6531



Adjustable Thermo Vent

Part No.	Description	Case Quantity	List (US \$)
675-6530	Adjustable Thermo Vent	30	22.40

FEATURES:

- 4 3/4" overall diameter
- 4" diameter hole saw and vent area
- 0.100" diameter holes (148) for improved ventilation
- Available in assorted colors

4" Vent

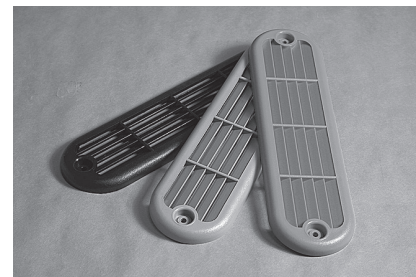
Part No.	Description	Case Quantity	List (US \$)
672-0600	4" Vent	300	9.13



Misc / Accessories

Spa Cabinet Vents

Part No.	Description	Color	Case Quantity	List (US \$)
675-6501	Spa Vent Assembly – 2 5/16" x 8 1/2"	Black	150	5.78
675-6507	Spa Vent Assembly – 2 5/16" x 8 1/2"	Gray	150	5.78
675-6509-BRN	Spa Vent Assembly – 2 5/16" x 8 1/2"	Brown	150	5.78



Aroma Therapy Canister and Beads

Part No.	Description	Case Quantity	List (US \$)
670-2800	Aroma Therapy Canister Assembly - Ell Body	60	31.81
662-2700	Scented Aroma Therapy Beads - Ocean Pellets - .84 oz.	50	8.65
662-2710	Scented Aroma Therapy Beads - Kiwi - .76 oz.	50	8.65
662-2720	Scented Aroma Therapy Beads - Red Apple - .82 oz.	50	8.65
662-2730	Scented Aroma Therapy Beads - Floral - .86 oz.	50	8.65

