



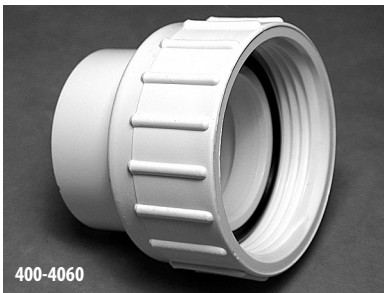
400-1940



400-1990

### 31" Pump Union Assemblies

Part No.	Description	Case Quantity	List (US \$)
<b>400-1940</b>	1" Union Nut with 3/4" RB Tailpiece and O-Ring	25	4.33
<b>400-1990</b>	1" S Union Nut with 1" Slip Tailpiece and O-Ring	200	4.33



400-4060



400-2020



400-2010



400-4230



400-4240



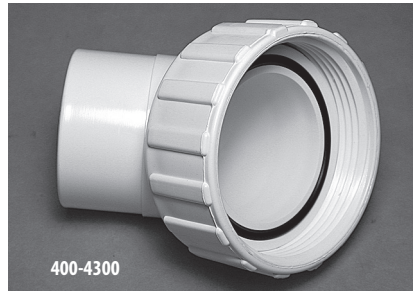
400-9280

### 1 1/2" Pump Union Assemblies

Part No.	Description	Case Quantity	List (US \$)
<b>400-4060</b>	1 1/2" Union Nut with 1 1/2" S Tailpiece and O-Ring	200	5.20
<b>400-5640</b>	1 1/2" Union Nut with 1 1/2" S Tailpiece with Gasket	200	5.52
<b>400-2020</b>	1 1/2" Union Nut with 1 1/2" Spigot / 1" S Tailpiece and O-Ring	200	6.71
<b>400-2010</b>	1 1/2" Union Nut with 50mm S Tailpiece and O-Ring	35	6.71
<b>400-4230</b>	1 1/2" Union Nut with 1 1/2" FPT Tailpiece and O-Ring	200	9.75
<b>400-4510</b>	1 1/2" Union Nut with 1 1/2" FPT Tailpiece and O-Ring with Gasket	200	10.06
<b>400-4240</b>	1 1/2" Union Nut with 1 1/2" Spigot Tailpiece and O-Ring	50	8.13
<b>400-9280</b>	1 1/2" Union Nut with 1 1/2" / 1 1/4" Hose Adapter and O-Ring	25	5.46



## Unions / Pump Union Assemblies



### 2" Pump Union Assemblies

Part No.	Description	Case Quantity	List (US \$)
<b>400-5570</b>	2" Union Nut with 2" S Tailpiece and O-Ring	70	7.82
<b>400-5670</b>	2" Union Nut with 2" S Tailpiece and O-Ring with Gasket	70	8.13
<b>400-9240</b>	2" Union Nut with 1 1/2" Hose Adapter and O-Ring	30	11.25
<b>400-5800</b>	2" Union Nut with 2" S Sweep Ell - 90° Tailpiece	40	10.12
<b>400-5660</b>	2" Union Nut with 1 1/2" FPT Nut Tailpiece and O-Ring	72	14.06
<b>400-4300</b>	2" Union Nut with 2" Spigot 45° Tailpiece and O-Ring	70	8.65
<b>400-9230</b>	2" Union Nut with 2" Spigot / 1 1/2" S Tailpiece and O-Ring	40	7.82
<b>400-5680</b>	2" Union Nut with 2" Spigot / 1 1/2" S Tailpiece and O-Ring with Gasket	140	8.13

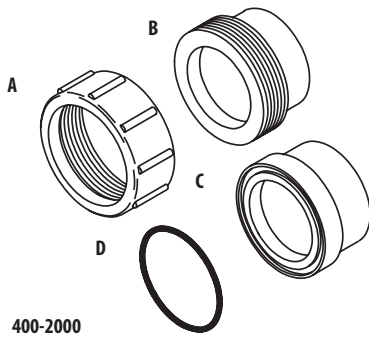


### 2 1/2" Pump Union Assemblies

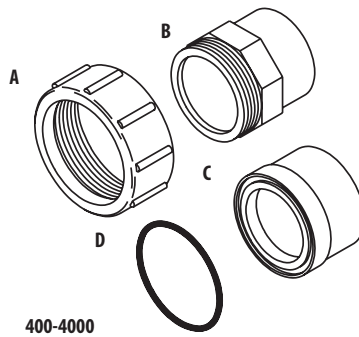
Part No.	Description	Case Quantity	List (US \$)
<b>400-5990</b>	2 1/2" Union Nut with 2" S Tailpiece and O-Ring	50	11.02
<b>400-6010</b>	2 1/2" Union Nut with 2 1/2" S Tailpiece and O-Ring	36	11.02
<b>400-6021B</b>	2 1/2" Union Nut x 2 1/2" S - Black (2 included with SVL56 pump)	72	12.37
<b>400-5971B</b>	2 1/2" Union Nut x 2" S - Black (2 included with SVL56 pump)	72	12.37

### Swivel Union Assembly

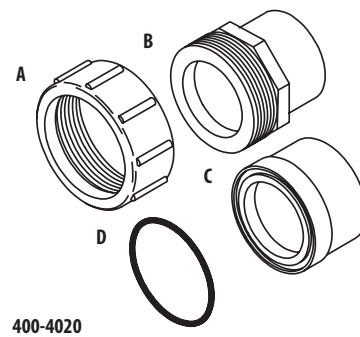
Part No.	Description	Case Weight	Case Quantity	List (US \$)
<b>400-4481-CPVC</b>	Swivel Union Assembly - 2" S x 2" Spigot	34.56 lbs.	45	28.56



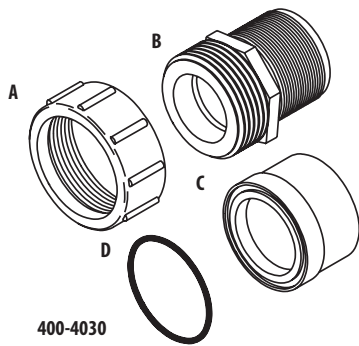
400-2000



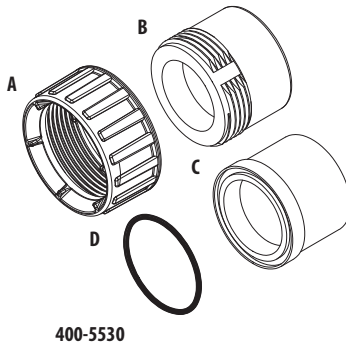
400-4000



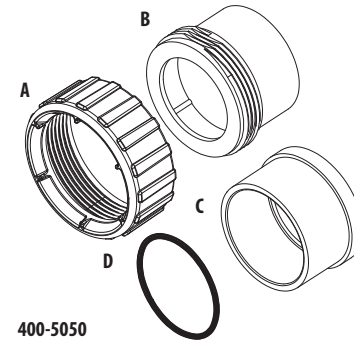
400-4020



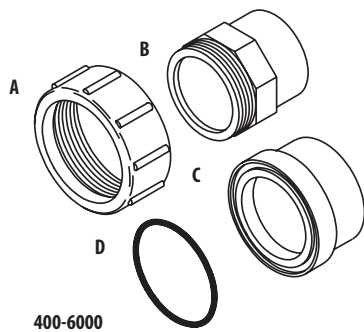
400-4030



400-5530



400-5050



400-6000

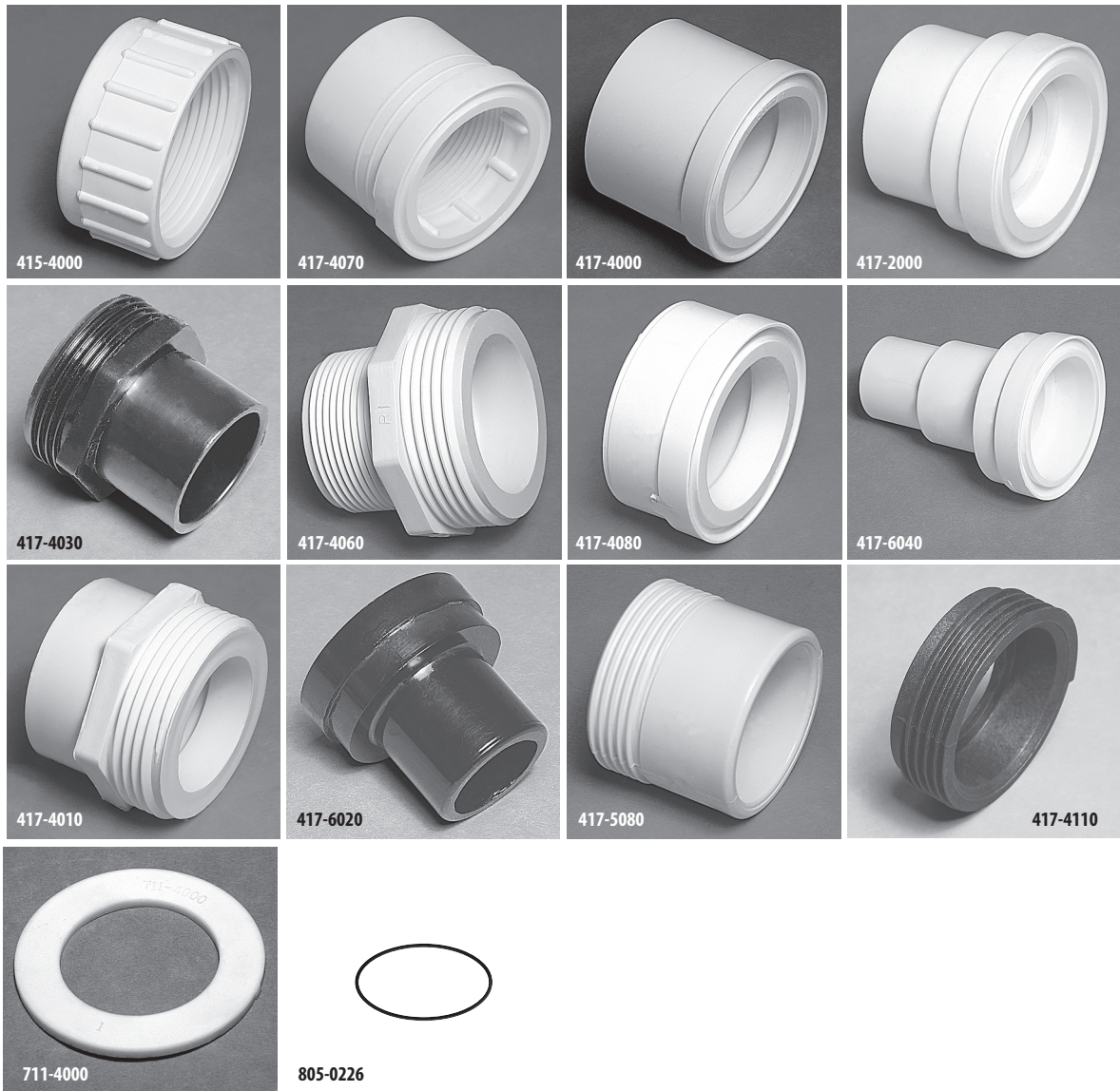
### Union Assemblies

Part No.	Description	Part A	Part B	Part C	Part D	Case Quantity	List (US \$)
<b>400-2000</b>	Union Assembly - 1" S x 1" S	415-2000	417-2010	417-2020	805-0123	60	8.36
<b>400-4000</b>	Union Assembly #1 - 1 1/2" S x 1 1/2" S	415-4000	417-4010	417-4000	805-0226	50	8.36
<b>400-4020</b>	Union Assembly #3 - 1 1/2" S x 1 1/2" Spigot	415-4000	417-4030	417-4000	805-0226	25	11.71
<b>400-4030</b>	Union Assembly - 1 1/2" MPT x 1 1/2" S	415-4000	417-4060	417-4000	805-0226	25	11.71
<b>400-5530</b>	Union Assembly - 2" Spigot / 1 1/2" S x 1 1/2" S	415-4000	417-4000	417-5080	805-0226	40	11.71
<b>400-5050</b>	Union Assembly #13 - 2" S x 2" S	415-5000	417-5040	417-5120	805-0229	25	11.75
<b>400-6000</b>	Union Assembly - 2 1/2" S x 2 1/2" S	415-6000	417-6010	417-6000	805-0232	36	13.40

Standard color is white. All fittings meet or exceed A.S.T.M. Schedule 40 standards.



## Unions / 1 1/2" Union Components



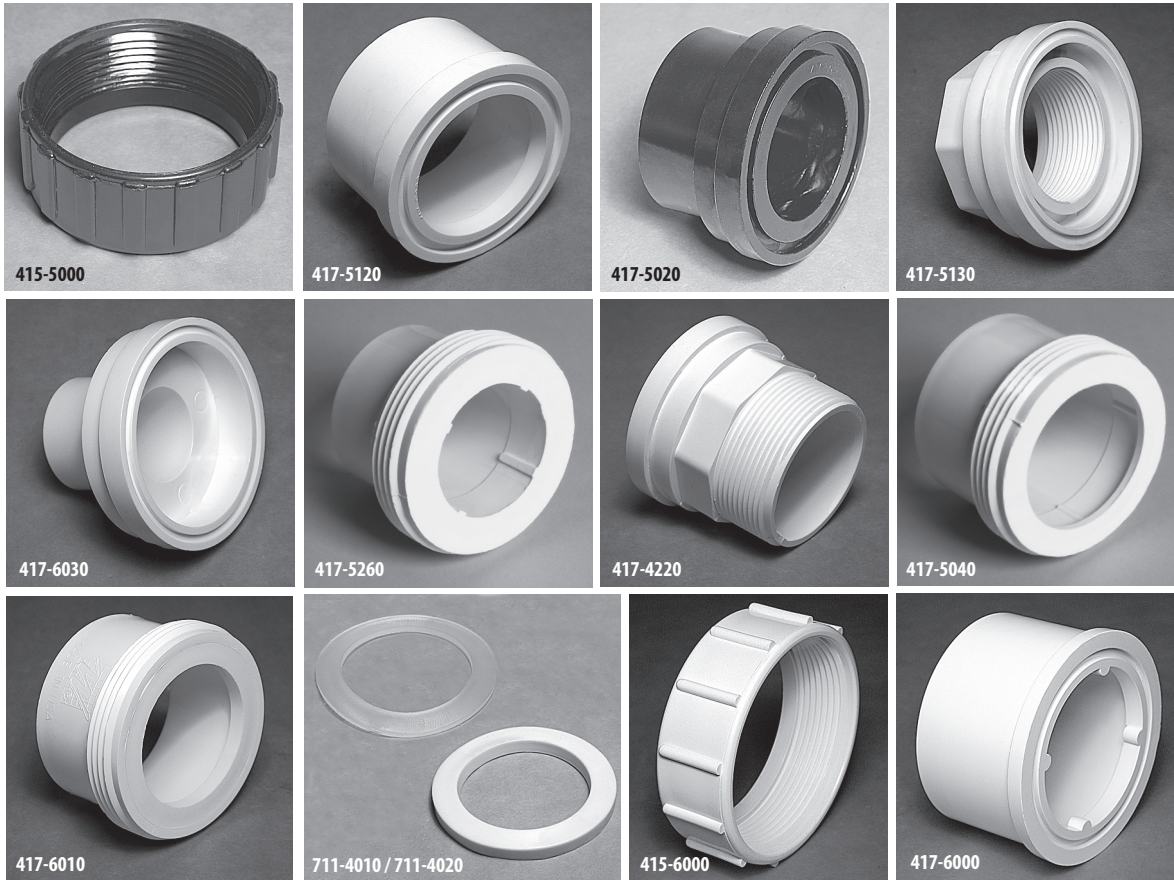
Unions

### 1 1/2" Union Components

Part No.	Description	Case Quantity	List (US \$)
<b>415-4000</b>	1 1/2" Union Nut	250	2.56
<b>417-4070</b>	1 1/2" Flange x 1 1/2" FPT Tailpiece	100	2.56
<b>417-4000</b>	1 1/2" Flange x 1 1/2" S Tailpiece	300	2.85
<b>417-5500</b>	1 1/2" Flange x 50mm S Tailpiece	100	2.56
<b>417-2000</b>	1 1/2" Flange x 1 1/2" Spigot / 1" S Tailpiece	50	6.13
<b>417-4100</b>	1 1/2" Flange x 1 1/2" Spigot	75	4.92
<b>417-4030</b>	1 1/2" Buttress Thread x 1 1/2" Spigot Tailpiece	230	2.56
<b>417-4060</b>	1 1/2" Buttress Thread x 1 1/2" MPT Tailpiece	230	2.67
<b>417-4080</b>	1 1/2" Flange x 1 1/2" S Tailpiece - Short	150	2.31
<b>417-6040</b>	1 1/2" Flange x 1 1/2" / 1 1/4" Hose Adapter Fitting	75	2.24
<b>417-4010</b>	1 1/2" Buttress Thread x 1 1/2" S Tailpiece	250	2.86
<b>417-6020</b>	1 1/2" Flange x 1 1/2" S Hose Adapter Fitting	50	2.78
<b>417-5080</b>	1 1/2" Buttress Thread x 1 1/2" S x 2" Spigot Tailpiece	75	3.34
<b>417-4110</b>	1 1/2" Buttress x 1 1/2" S - Short	150	4.48
<b>711-4000</b>	1 1/2" Union Gasket	500	0.64
<b>805-0226</b>	O-Ring - 1 1/2" Tailpiece	100	0.62



## Unions / 2" & 2 1/2" Union Components



805-0145



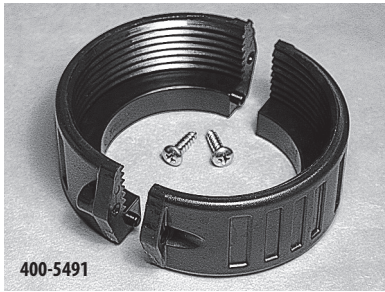
805-0232

### 2" and 2 1/2" Union Components

Part No.	Description	Case Quantity	List (US \$)
<b>415-5000</b>	2" Union Nut	180	3.89
<b>417-5120</b>	2" Flange x 2" S Tailpiece	50	4.06
<b>417-5020</b>	2" Flange x 2" Spigot / 1 1/2" S Tailpiece	100	4.52
<b>417-5130</b>	2" Flange x 1 1/2" FPT Nut Tailpiece	140	3.55
<b>417-6050</b>	2" Flange x 1 1/2" / 1 1/4" Hose Adapter Fitting	200	3.75
<b>417-6030</b>	2" Flange x 1 1/2" Hose Adapter Fitting	25	3.44
<b>417-5260</b>	2" Buttress Thread x 2" Spigot / 1 1/2" S Tailpiece	160	4.51
<b>417-4220</b>	2" Flange x 2" MPT	50	7.93
<b>417-5090</b>	2" Flange Thread x 1 1/2" MPT Tailpiece	25	4.52
<b>417-5040</b>	2" Buttress Thread x 2" S Tailpiece	150	3.15
<b>805-0145</b>	O-Ring – 2" Heater Tailpiece	100	0.62
<b>805-0229</b>	2" Pump Union (thick) O-ring	100	0.73
<b>711-4010</b>	2" Flat Union Gasket	500	1.38
<b>711-4020</b>	2" x 1/4" Thick Union Gasket	500	1.35
<b>711-4030</b>	2" Ribbed O-ring Union Gasket	500	0.81
<b>415-6000</b>	2 1/2" Union Nut	50	7.54
<b>417-6000</b>	2 1/2" Flange x 2 1/2" Socket	50	4.82
<b>417-5970</b>	2 1/2" Flange x 2" Socket	50	4.52
<b>417-6010</b>	2 1/2" Buttress Thread x 2 1/2" Socket	100	5.19
<b>805-0232</b>	O-Ring – 2 1/2" Heater Tailpiece	100	1.34



## Unions / Heater Union Components



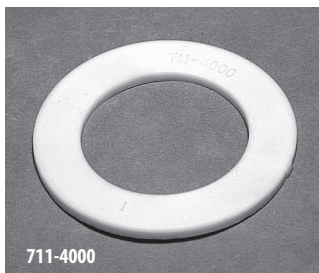
1 1/2" Heater Union Nuts			
Part No.	Description	Case Quantity	List (US \$)
<b>400-5461</b>	1 1/2" Heater Split Nut - Long Assembly - with Screws	150	5.45
<b>400-5491</b>	1 1/2" Heater Split Nut - with Screws	250	3.35
<b>415-4021</b>	1 1/2" Heater Split Nut - without Screws	100	2.14



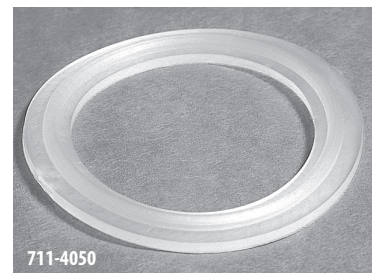
1 1/2" Heater Union Tailpieces			
Part No.	Description	Case Quantity	List (US \$)
<b>417-4090</b>	1 1/2" Buttress Thread x 1 1/2" S Tailpiece	100	1.87
<b>417-4050</b>	1 1/2" Buttress Thread x 1 1/2" Spigot Tailpiece	75	1.87



805-0224

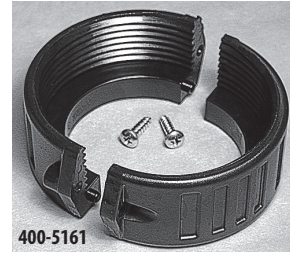


711-4000



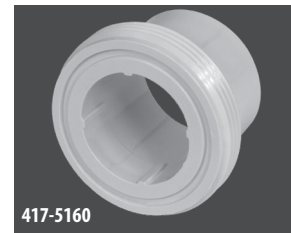
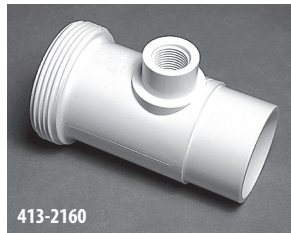
711-4050

1 1/2" Heater Union O-Ring Gaskets			
Part No.	Description	Case Quantity	List (US \$)
<b>805-0224</b>	O-Ring - 1 1/2" Heater Tailpiece	100	0.62
<b>711-4000</b>	Gasket - 1 1/2" Heater Tailpiece	500	0.64
<b>711-4050</b>	O-Ring Gasket - 1 1/2" Heater Tailpiece	500	0.71



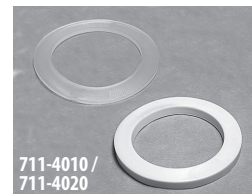
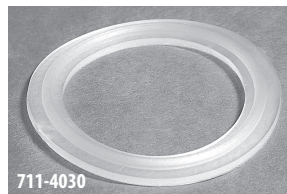
## 2" Heater Union Nuts

Part No.	Description	Case Quantity	List (US \$)
<b>400-5161</b>	2" Heater Split Nut - with Screws	150	3.04
<b>415-5161</b>	2" Heater Split Nut - without Screws	150	2.73



## 2" and 2 1/2" Heater Union Tailpieces

Part No.	Description	Case Quantity	List (US \$)
<b>417-2090</b>	2" Buttress Thread x 1 1/2" S Tailpiece	50	2.51
<b>417-5050</b>	2" Buttress Thread x 2" S Tailpiece	150	2.51
<b>417-5060</b>	2" Buttress Thread x 2" Spigot Tailpiece	45	2.51
<b>417-5160</b>	2" Buttress Thread x 2" Spigot / 1 1/2" S Tailpiece	160	5.30
<b>417-5140</b>	2" Buttress Thread x 2" MPT Tailpiece	45	3.75
<b>413-2160</b>	Heater Flow Switch Tee - 2" Buttress Thread x 2" Spigot x 1/2" FPT	25	14.06
<b>417-5180</b>	2" Buttress Thread x 3/4" S / 1" Spigot	100	2.85
<b>417-5980</b>	2 1/2" Heater Buttress Tailpiece	25	5.19



## 2" and 2 1/2" Heater Union O-Rings and Gaskets

Part No.	Description	Case Quantity	List (US \$)
<b>711-4020</b>	1/4" Thick Gasket - 2" Heater Tailpiece	500	1.35
<b>711-4010</b>	Gasket - 2" Heater Tailpiece	500	1.38
<b>805-0229</b>	O-Ring - 2" Heater	100	0.73
<b>711-4030</b>	2" Heater Tailpiece Gasket - with O-Ring Rib	500	0.81
<b>711-6020</b>	2 1/2" Heater Union Gasket	500	0.62