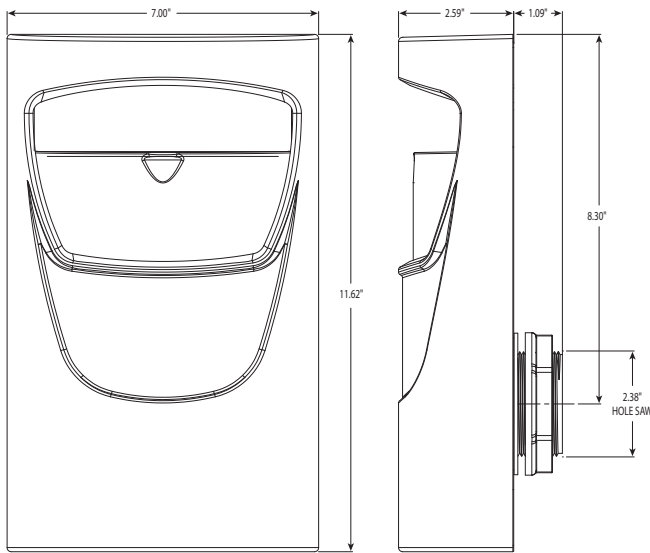




640-6607

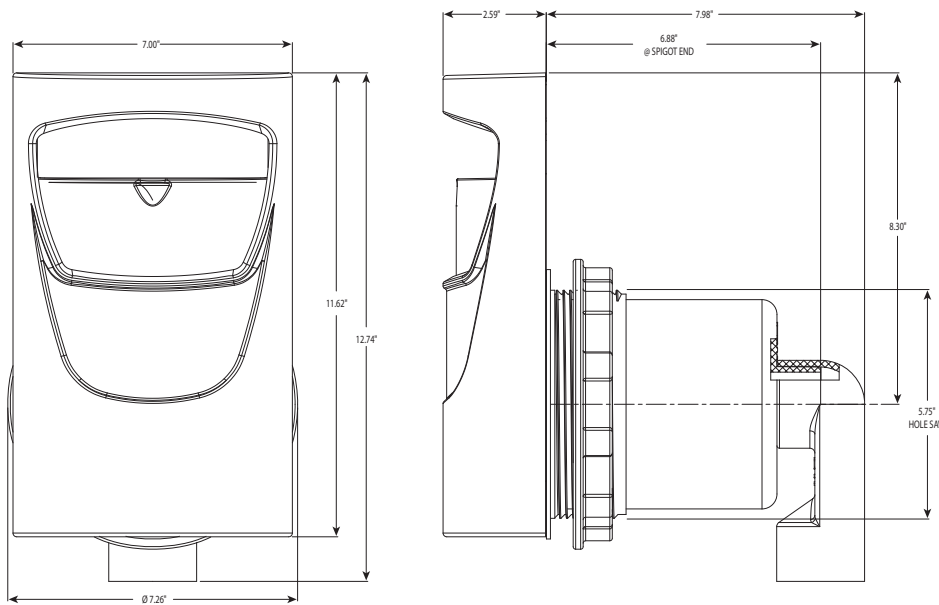
Strip Skimmer

Part No.	Description	Case Quantity	List (US \$)
640-6600	Adjustable Strip Skimmer with Lint Basket - 1" S Ell	20	56.12



FEATURES:

- Floating guillotine-style weir
- Easy through-wall installation (requires only one round hole to mount)
- 15 sq. ft.
- Easily accessible basket
- Skim Filter has easily accessible cartridge



For replacement parts, see page 327.

Deluxe Strip Skimmer and Strip Skim Filter

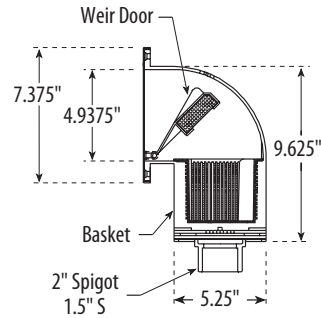
Part No.	Description	Case Quantity	List (US \$)
510-6900	Deluxe Strip Skimmer - 1 1/2" S	50	89.02
510-6910	Deluxe Strip Skim Filter - 1 1/2" S, 15 sq. ft.	50	100.23



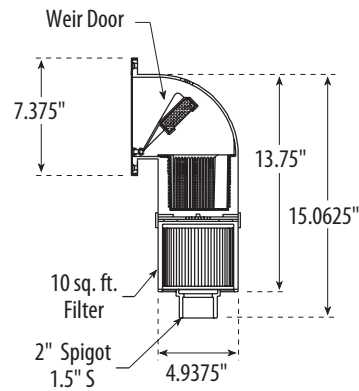
Spa Skimmers and Filters / Front Access Skim Filters



510-1500



510-1600

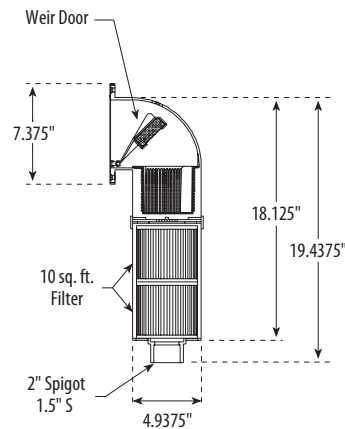


INCLUDES:

- 10 sq. ft. Cartridge
- EZ Flow Basket
- Flow Control Diverter Plate
- Trim Plate - White
- Mounting Gasket



510-1650T



INCLUDES:

- 10 sq. ft. Cartridges (2)
- EZ Flow Basket
- Flow Control Diverter Plate
- Trim Plate - White
- Mounting Gasket

For replacement parts, see page 329.

Front Access Skimmers and Skim Filters

Part No.	Description	Case Quantity	List (US \$)
510-1500	Square Spa Skimmer – 1 ½" S / 2" Spigot - Flow Control with Trim Plate	4	96.95
510-1600	Square Spa Skim Filter – 1 ½" / 2" Spigot - 10 sq. ft.	4	150.07
510-1650T	Square Spa Skim Filter – 1 ½" / 2" Spigot - 20 sq. ft.	2	191.77



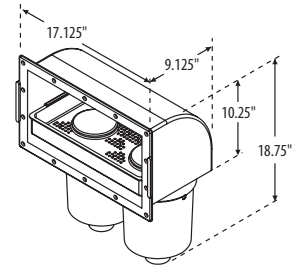
Spa Skimmers and Filters / Front Access Skim Filters

FEATURES:

- 50 sq. ft. Cartridges (2) (100 sq. ft. total)
- 2" Spigot Output Ports (2)
- Extra Large 5 1/2" x 14" Weir Area
- Extra Large 8" x 14" Basket
- Easy Access to Basket and Cartridges
- Easy Through-Wall Installation



510-6620



Hole Size 8.75" x 15.5"

FEATURES:

- 50 sq. ft. Cartridge
- 2" Spigot Output Port
- Easy access to basket and cartridges
- Easy Through-Wall Installation



510-9020



672-5090

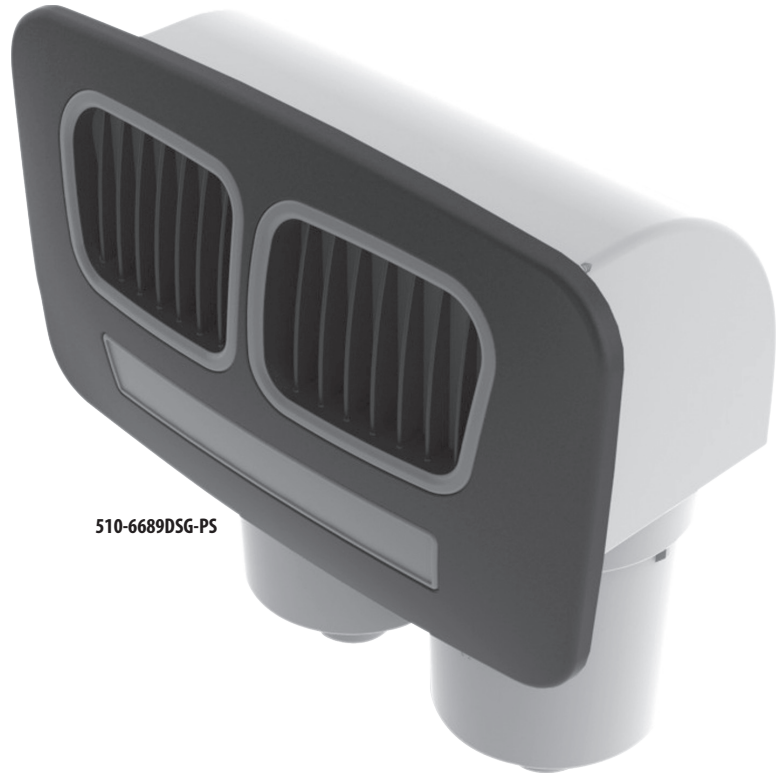
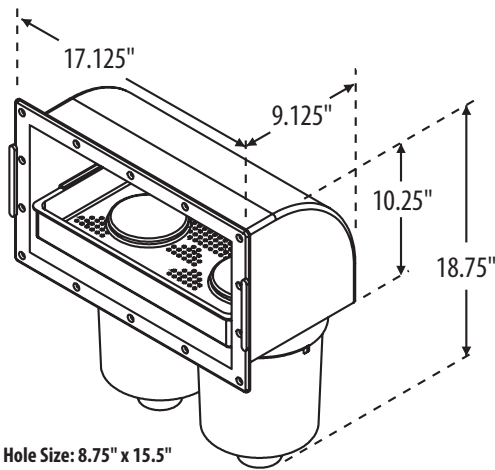
Front Access Skim Filters

Part No.	Description	Case Quantity	List (US \$)
510-9020	50 sq. ft. Front Access Skim Filter - Single Port - Oval Style	2	267.99
510-6620	100 sq. ft. Front Access Skim Filter - Dual Port - Oval Style	2	353.87
672-5090	100 sq. ft. Skim Filter Manifold Tee with Plug	20	25.25



FEATURES:

- New Roadster grill design
- 50 sq. ft. Cartridges (2) (100 sq. ft. total)
- 2" Spigot Output Ports (2)
- Extra Large 5 1/2" x 14" Weir Area
- Extra Large 8" x 14" Basket
- Easy Access to Basket and Cartridges
- Easy Through-Wall Installation



100 sq. ft. Front Access Roadster Skim Filter

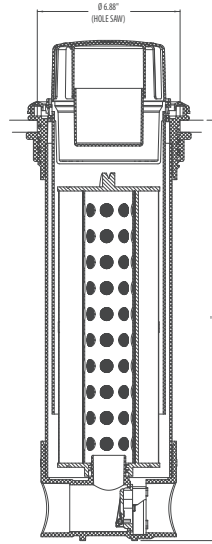
Part No.	Description	Case Quantity	List (US \$)
510-6680	100 sq. ft. Front Access Roadster Skim Filter	--	368.77



Spa Skimmers and Filters / Teleweir Skim Filters

FEATURES:

- Cage-style tower eliminates unwanted vortexing
- Safety orientated
- Easily accessible basket for effortless cleaning
- Available in several different filter sizes
- 2" Socket IN/OUT plumbing
- Built in Check Valve
- Hole Saw Size: Ø 6.88"
- Custom logo plate available for volume orders



510-4600

For replacement parts, see page 326.

Teleweir Skim Filters

Part No.	Description	"A" Dimension	Case Quantity	List (US \$)
510-4630	25 sq. ft. Teleweir Skim Filer	20.25 in.	20	240.49
510-4620	35 sq. ft. Teleweir Skim Filter	16.00 in.	20	252.50
510-4600	50 sq. ft. Teleweir Skim Filter	20.25 in.	20	256.84
510-4680	50 sq. ft. Teleweir Skim Filter - Low Volume	20.25 in.	20	256.84

FEATURES:

- Extra-large housing designed especially for Swim Spas
- Cage-style tower eliminates unwanted vortexing
- Safety orientated
- Easily accessible basket for effortless cleaning
- Hi capacity 2 ½" Socket IN/OUT Plumbing
- Built in check valve
- Hole saw size is 8.5"
- Custom logo plates available for volume orders



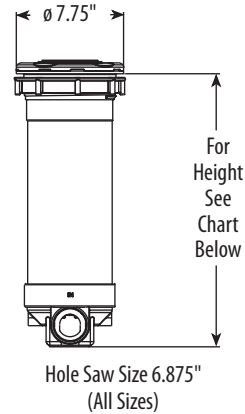
Mega Teleweir Skim Filters

Part No.	Description	"A" Dimension	List (US \$)
510-4570	75 sq. ft. Mega Teleweir Skim Filter	21.75 in.	301.53



FEATURES:

- Improved exclusive vent system for added safety
- Exclusive bayonet lock retains the basket and weir
- PVC upper threaded, middle and bottom body components are compatible with PVC glues and most silicones
- New compact sizes
- Traditional 4-scallop escutcheons to match the decor of the spa
- Telescoping weir has 6" of travel
- Built-in restriction valve for improved filtration with low volume
- Two basket sizes
- Dyna-Flo replacement parts fit all existing Dyna-Flo Top-Mount Filters
- Retrofits Dynamic Series Rainbow Skim Filters



DYNA-FLO PLUS



Low Volume
8 GPM Minimum



Hi Volume
15 GPM Minimum

LOW PROFILE DYNA-FLO



Low Volume
8 GPM Minimum



Hi Volume
15 GPM Minimum

For replacement parts, see page 330.

Dyna-Flo Top-Mount Skim Filters

Part No.	Size	Description	Height	List (US \$)
510-4520	2" Socket - 25 sq. ft.	Dyna-Flo Plus - Low Volume - 8 GPM Minimum	21 1/8"	251.09
510-4550	2" Socket - 50 sq. ft.	Dyna-Flo Plus - Low Volume - 8 GPM Minimum	21 1/8"	267.41
510-9520	2" Socket - 25 sq. ft.	Dyna-Flo Plus - Hi Volume - 15 GPM Minimum	21 1/8"	251.09
510-9540	2" Socket - 40 sq. ft.	Dyna-Flo Plus - Hi Volume - 15 GPM Minimum	17 1/4"	259.02
510-9550	2" Socket - 50 sq. ft.	Dyna-Flo Plus - Hi Volume - 15 GPM Minimum	21 1/8"	271.01
510-3520	2" Socket - 25 sq. ft.	Low Profile Dyna-Flo - Low Volume - 8 GPM Minimum	19 5/8"	240.49
510-3540	2" Socket - 40 sq. ft.	Low Profile Dyna-Flo - Low Volume - 8 GPM Minimum	15 3/4"	248.43
510-3550	2" Socket - 50 sq. ft.	Low Profile Dyna-Flo - Low Volume - 8 GPM Minimum	19 5/8"	256.84
510-6520	2" Socket - 25 sq. ft.	Low Profile Dyna-Flo - Hi Volume - 15 GPM Minimum	19 5/8"	240.49
510-6540	2" Socket - 40 sq. ft.	Low Profile Dyna-Flo - Hi Volume - 15 GPM Minimum	15 3/4"	248.43
510-6550	2" Socket - 50 sq. ft.	Low Profile Dyna-Flo - Hi Volume - 15 GPM Minimum	19 5/8"	256.84

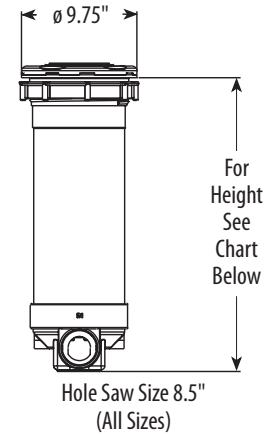
For textured High-Volume Lock-Ring, add "T" to the end of the part number.



Spa Skimmers and Filters / Dyna-Flo XL Skim Filters and Ultra Skim Filter

FEATURES:

- Extra-large 10" diameter body for improved filtration
- Extra-large 6 1/2" diameter cartridge for larger cartridge sizes
- Exclusive "Vent System" for added safety
- PVC upper, middle and bottom sections are compatible with PVC glues and most silicones
- Available in 50, 75 and 100 sq. ft.
- Adjustable restrictor valve for variable flow control
- Extra-large basket
- Removable bypass valve for easy servicing
- Optional chemical feeder
- Available in 2" or 2 1/2" Socket In/Out



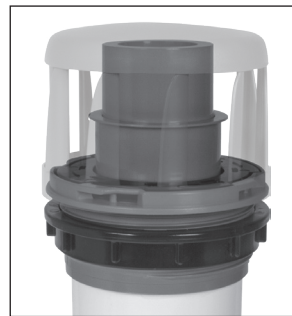
For replacement parts, see page 331.

Dyna-Flo XL Skim Filters

Part No.	Socket Size	Filter Size	Filter Length	List (US \$)
512-0270	2"	75 sq. ft.	21 3/4"	351.54
512-0210	2"	100 sq. ft.	26 1/4"	376.70
512-2550	2 1/2"	50 sq. ft.	21 3/4"	333.92
512-2570	2 1/2"	75 sq. ft.	21 3/4"	351.54
512-2510	2 1/2"	100 sq. ft.	26 1/4"	376.70

FEATURES:

- Skims water without the use of a weir
- No moving parts
- Uses the same size hole pattern as our standard Dyna-Flo
- Allows for a larger variance of water levels

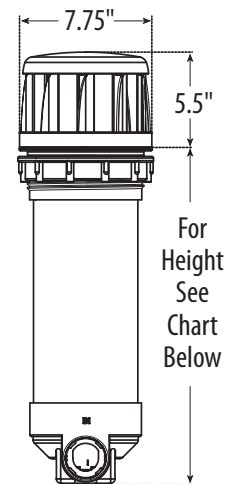


514-6589-DSG

With turbine and weir



514-6550



Hole Saw Size 6.875"

For replacement parts, see page 332.

Ultra Skim Filter

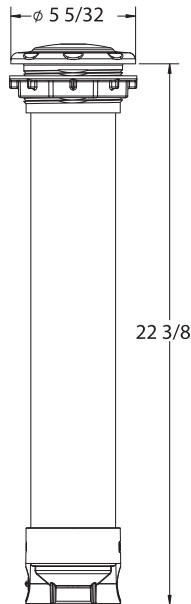
Part No.	Description	Filter Size	Filter Length	List (US \$)
514-6550	Ultra Skim Filter XL 2" 50 sq ft	50 sq. ft.	19 5/8"	277.17
514-6580	Ultra Skim Filter XL 2" 50 sq ft w/Turbine and Weir	50 sq. ft.	19 5/8"	294.70



Spa Skimmers and Filters / Top-Load Filters

5.5" FILTER FEATURES:

- Top Load Filter
- 20 sq. ft. 2 7/8" X 19.5" Cartridge
- 1" Socket IN/OUT
- 1" Check Valve
- PVC Construction

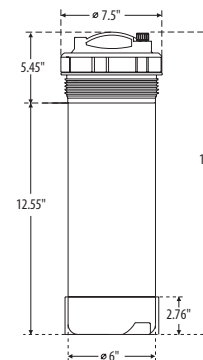


510-3600



500-2500

For replacement parts, see page 328.



**Custom sizes available.
Please contact your Waterway sales representative.**

5.5" Top-Load Filters

Part No.	Description	List (US \$)
510-3600	1" - 20 sq. ft. Cartridge with Bypass Valve	190.96

7.5" Top-Load Filters

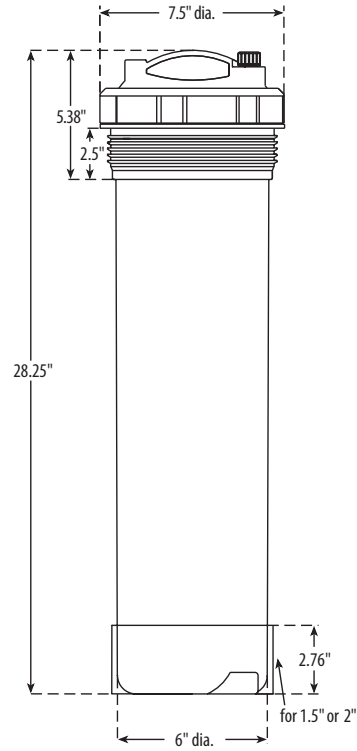
Part No.	Description	List (US \$)
500-2500	1 1/2" - 25 sq. ft. Cartridge with Plug	153.03
500-2510	1 1/2" - 25 sq. ft. Cartridge with Bypass Valve	180.34
500-2540	1 1/2" - 25 sq. ft. Cartridge with Plug and 10-Tablet Brominator	210.58
500-2550	1 1/2" - 25 sq. ft. Cartridge with Bypass Valve and 10-Tablet Brominator	210.58
500-5000	1 1/2" - 50 sq. ft. Cartridge with Plug	208.96
500-5010	1 1/2" - 50 sq. ft. Cartridge with Bypass Valve	208.96
500-5050	1 1/2" - 50 sq. ft. Cartridge with Bypass Valve and 10-Tablet Brominator	238.66
500-6010	1 1/2" - without Cartridge - with Bypass Valve	170.82
500-6050	1 1/2" - without Cartridge - with Bypass Valve and 10-Tablet Brominator	200.52
502-2500	2" - 25 sq. ft. Cartridge with Plug	193.44
502-2510	2" - 25 sq. ft. Cartridge with Bypass Valve	193.44
502-2530	2" - 25 sq. ft. Cartridge with Bypass Valve and Flow Restriction Tube	206.77
502-2550	2" - 25 sq. ft. Cartridge with Bypass Valve and 10-Tablet Brominator	210.58
502-5000	2" - 50 sq. ft. Cartridge with Plug	208.96
502-5010	2" - 50 sq. ft. Cartridge with Bypass Valve	208.96
502-5030	2" - 50 sq. ft. Cartridge with Bypass Valve and Flow Restriction Tube	222.38
502-5050	2" - 50 sq. ft. Cartridge with Bypass Valve and 10-Tablet Brominator	238.66



Spa Skimmers and Filters / Top-Load Extended Filters



500-7500

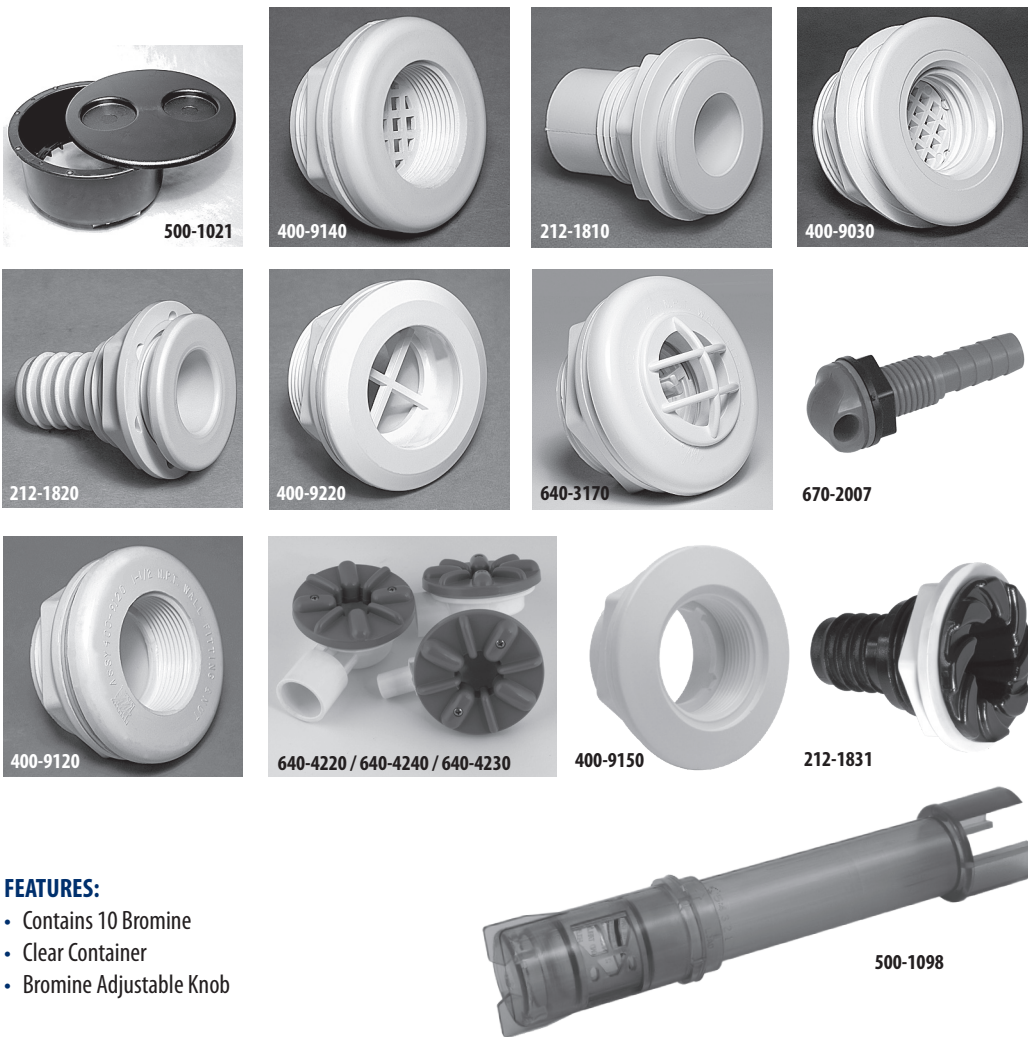


7.5" Top-Load Extended Filters, 1 1/2

Part No.	Description	List (US \$)
500-7500	75 sq. ft. Cartridge with Plug	250.13
500-7510	75 sq. ft. Cartridge with Bypass Valve	250.13
500-7550	75 sq. ft. Cartridge with Bypass Valve and 10 Tablet Brominator	279.82
500-9900	100 sq. ft. Cartridge with Plug	262.63
500-9910	100 sq. ft. Cartridge with Bypass Valve	262.63
500-9950	100 sq. ft. Cartridge with Bypass Valve and 10 Tablet Brominator	304.83

7.5" Top-Load Extended Filters, 2

Part No.	Description	List (US \$)
502-7500	75 sq. ft. Cartridge with Plug	250.11
502-7510	75 sq. ft. Cartridge with Bypass Valve	250.11
502-7550	75 sq. ft. Cartridge with Bypass Valve and 10 Tablet Brominator	279.84
502-9900	100 sq. ft. Cartridge with Plug	262.63
502-9910	100 sq. ft. Cartridge with Bypass Valve	262.63



FEATURES:

- Contains 10 Bromine
- Clear Container
- Bromine Adjustable Knob

Filter Accessories			
Part No.	Description	Case Quantity	List (US \$)
500-1021	Filter Niche with 2-Cup Holder Lid and Screws - Black	6	34.71
400-9140	Cartridge Mounting Assembly - 1 1/2" NPT - with Grate	150	9.12
212-1810	Thru Wall Fitting Assembly - 1/2" S x 1/2" S	150	13.40
400-9030	Cartridge Mounting Assembly with Grate - 2" S x 1 1/2" Acme	100	16.33
212-1820	Bulkhead Wall Fitting Assembly - 3/4" RB	150	13.40
400-9220	Vent Wall Fitting Assembly with Grate (color matching available)	50	8.36
500-1098	10-Tablet Brominator Assembly	70	29.71
640-3170	Suction Wall Fitting Assembly with Bypass Valve	40	18.77
400-9120	Cartridge Mounting Assembly - 1 1/2" NPT	150	8.36
400-9130	Cartridge Mounting Assembly - 2" NPT	100	16.33
670-2000	Water Nozzle Wall Fitting Assembly	200	6.71
640-4220	Lo-Pro 3/4" SB 90° Return Fitting Assembly	40	21.37
640-4240	Lo-Pro 3/4" S 90° Return Fitting Assembly	40	21.37
640-4230	Lo-Pro 1" S 90° Return Fitting Assembly	40	21.37
400-9150	Return Wall Fitting Assembly - 1 1/2" FPT x 1 1/2" S	50	10.41
212-1831	Swirl Style Bulkhead Fitting - 3/4" RB	150	13.40



Spa Skimmers and Filters / Skimmer and Skim Filter Options & Weirs



Skim Filter Gaskets

Part No.	Description	Case Quantity	List (US \$)
711-8010	Grommet Gasket	--	5.11

Spa Mounting Plate

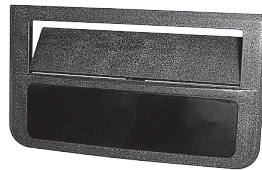
Part No.	Description	Case Quantity	List (US \$)
550-1600	Spa Skimmer Mounting Plate with Screws	50	15.59

Filter Extensions

Part No.	Description	Case Quantity	List (US \$)
519-2041	Filter Extension - Cover	1	11.70
519-2031	Filter Extension - Body	1	18.41



550-6109



680-2001



550-7767



550-6119



550-5617



550-0127

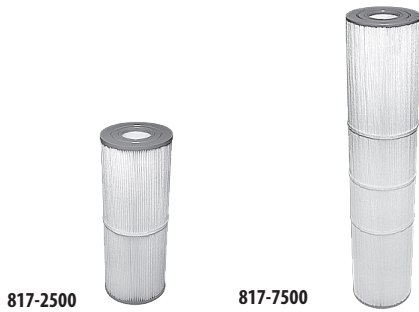
Weirs

Part No.	Description	Case Quantity	List (US \$)
680-2000	Custom Weir Assembly - 13 1/8" H x 23 1/4" W (customized logo & color with quantity order)	25	187.58
550-7760	Skimmer Frame & Weir Assembly with Waterfall	--	188.05
550-5610	Curved Weir Frame Assembly - 13" H x 20 3/4" W	--	71.21
550-0120	Tiered Weir Frame Assembly	--	95.70
550-6100	Weir Frame Assembly - 13 5/8" H x 13 7/16" W S-10 style	--	82.63
550-6110	Weir Frame 21 1/8" W x 13 1/2" S-10 style	--	97.53



Weir Accessories

Part No.	Description	List (US \$)
550-0411	Weir Mounting Brackets	11.17



817-2500

817-7500

Replacement Cartridges for In-Line and Top-Load Filters

Part No.	Description	Dimensions	Case Quantity	List (US \$)
817-3640	Cartridge - 20 sq. ft.	3" OD x 19.5" L Cartridge	--	38.06
817-2500	Cartridge - 25 sq. ft.	4 15/16" OD x 13 5/16" L	--	57.91
817-5000	Cartridge - 50 sq. ft.	4 15/16" OD x 13 5/16" L	16	83.27
817-7500	Cartridge - 75 sq. ft.	4 15/16" OD x 23 5/8" L	--	114.69
817-1000	Cartridge - 100 sq. ft.	4 15/16" OD x 23 5/8" L	--	125.86



Skim Filter Replacement Cartridge

Skim Filter Replacement Cartridges

Part No.	Size	Dimensions	Top Load	Front Access	List (US \$)
817-0010	10 sq. ft.	4 1/4" outer diameter x 4" L		x	36.42
817-3501	35 sq. ft.	4 15/16" outer diameter x 9 1/4" L (1 piece)		x	54.95
817-3510	35 sq. ft.	4 15/16" outer diameter x 4 5/8" L (2 pieces)		x	73.40
817-5010	50 sq. ft.	4 15/16" outer diameter x 6 5/8" L (2 pieces)		x	85.39
817-0050	50 sq. ft.	6" outer diameter x 8 1/4" L		x	82.80
817-0011	50 sq. ft.	6" outer diameter x 8 1/4" L (2 pieces upper)		x	82.80
817-0012	50 sq. ft.	6" outer diameter x 8 1/4" L (2 pieces lower)		x	82.80
817-2500	25 sq. ft.	5" outer diameter x 13 1/4" L	x		57.91
817-5000	50 sq. ft.	5" outer diameter x 13 1/4" L (1 piece)	x		83.27
817-0014	50 sq. ft.	5 5/16" outer diameter x 10 1/8" L	x		91.41
817-0015	75 sq. ft.	5 5/16" outer diameter x 14 13/16" L	x		114.39
817-7500	75 sq. ft.	5" outer diameter x 23 5/8" L (2 pieces)	x		114.69
817-0016	100 sq. ft.	5 5/16" outer diameter x 17 13/16" L	x		133.33
817-1000	100 sq. ft.	5" outer diameter x 23 5/8" L	x		125.86

