



Spa Drains & Suctions / Lo-Pro Suctions and Floor Drains



Low Profile Drain Assemblies

Part No.	Description	Case Quantity	List (US \$)
640-0400	¾" Socket / 1" Spigot	100	9.51
640-0420	Shur-Grip - ¾" SB	100	9.51
640-0401S	¾" Socket - Stainless Steel Cover	100	17.72
640-0430	Large Face - ½" S	100	13.32
711-0080	Grommet Gasket	1000	0.62



90° Ell Lo-Pro Spa Floor Drains

Part No.	Description	Case Quantity	List (US \$)
640-4340	¾" S Floor Drain	40	23.46
640-4400	1" S Floor Drain	40	23.46
640-4440	¾" SB Floor Drain	40	23.46



WARNING

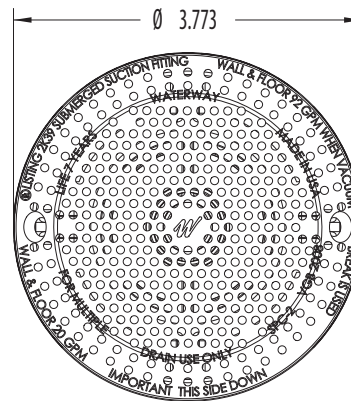
Read and follow all instructions in the Owner's Manual for all equipment.
Failure to follow instructions can cause injury and/or death.

**VGB
2008**

All Waterway Drains, Grates and Suctions are Listed and Certified and Tested in strict accordance to the requirements of ASME A112.19.8-2007 and ASME A112.19.8a-2008 (as defined in CPSC letter dated April 8, 2011). Compliant to the latest Consumer Safety Product Commission Requirements (CPSC).



640-3250 VP

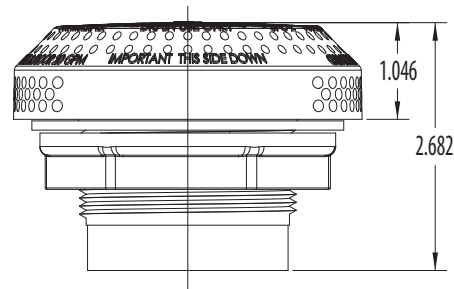


FEATURES:

- New Hi-Flo rating of 128 GPM (without vacuum break)
- For portable spas
- Available in 1 1/2" S sizes

SPECIFICATIONS:

- Total Open Area: 4.01 sq. in.
- Floor Flow Rate: N/A
- Wall Flow Rate: 128 GPM



SPC-2 VP - 3.5" Hi-Flo Suctions

Part No.	Description	Case Quantity	List (US \$)
640-325x VP	Hi-Flo Suction Assembly - 1 1/2" Hex (without Vacuum Break)	80	20.32
640-328x VP	Hi-Flo Suction Assembly - 1 1/2" 90° Ell (without Vacuum Break)	80	25.00
640-348x VP	Hi-Flo Suction Assembly - 1 1/2" 90° Ell (with 642-4120 VAC Vacuum Break)	80	25.00



NEW!

The Wedge

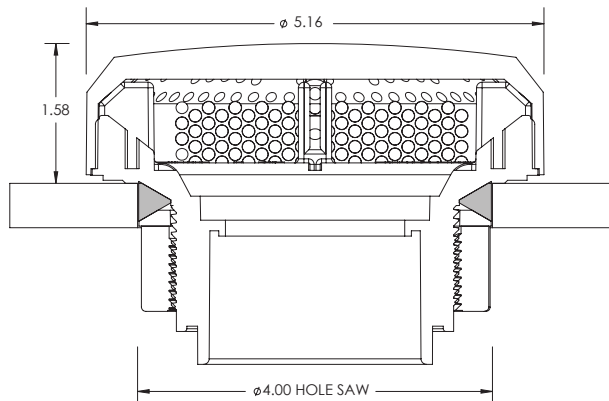
Sure-Seal
COLLECTION



Waterway proudly introduces the Super Hi-Flow Wedge Suction, our latest innovation for easy yet worry free installation. The Wedge technology incorporates an advanced compression seal without the need for silicone, compensating rings and spot facing the back surface of the spa wall. The Suction installs through the spa wall completely assembled and is easily secured from the back simply by tightening the compression nut.

FEATURES:

- Provide easy installation
- Reliable seal you can depend on
- Requires no silicone
- Requires no compensating rings
- Requires no spot facing
- Provides lower profile
- Allows for inconsistent hole sizes



5" Wedge Super Hi-Flo Suction

Part No.	Description	Case Quantity	List (US\$)
640-630XV	5" Super Hi-Flo Wedge Suction - 2" S	35	30.80
640-631XV	5" Super Hi-Flo Wedge Suction - 2 1/2" S	35	30.80
640-630XS V	5" Super Hi-Flo Wedge Suction - 2" S - Stainless	35	44.02
640-631XS V	5" Super Hi-Flo Wedge Suction 2 1/2" S - Stainless	35	44.02

Drains & Suctions



Spa Drains & Suctions / 3.5" Ultra Hi-Flo Suctions



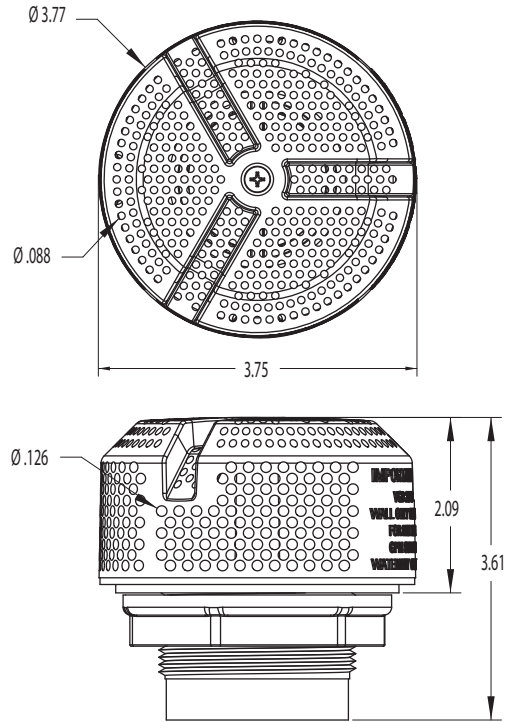
Patent Pending



640-3497 VP

SPECIFICATIONS:

- Total Open Area: 6.24 sq. in.
- Floor Flow Rate: N/A
- Wall Flow Rate: 160 GPM
- For portable spas



Drains & Suctions

3.5" Ultra Hi-Flo Suctions

Part No.	Description	Case Quantity	List (US \$)
640-349x VP	3.5" Ultra Hi-Flo Suction - Tall Assembly	50	20.32

Replace the final x in the part number with the color of your choice (see page 4 for colors).

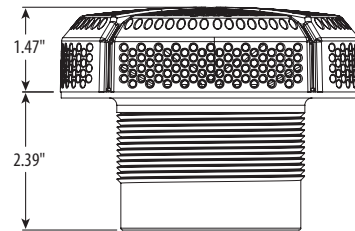
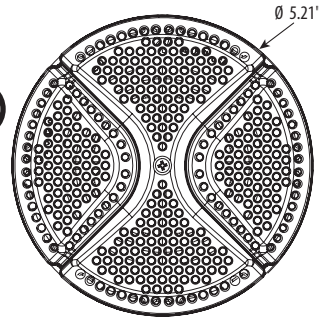


Spa Drains & Suctions / 5" Designer Pro Series and Super Hi-Flo Suctions



Patent # US D629,875 S

VGB
2008



FEATURES:

- Flow Rate of 252 GPM (portable spas only)
- Available in 2" and 2 1/2" S sizes
- Two tone color for additional color coordination
- Available in Stainless Steel / color of your choice

5" Designer Pro Series Suctions

Part No.	Description	Case Quantity	List (US \$)
640-520x V	5" Designer Pro Series Suction - 2" S - Two Tone	35	31.87
640-525x V	5" Designer Pro Series Suction - 2 1/2" S - Two Tone	35	31.87
640-530x V	5" Designer Pro Series Suction - 2" S - Two Tone Stainless Steel	35	45.09
640-535x V	5" Designer Pro Series Suction - 2 1/2" S - Two Tone Stainless Steel	35	45.09

Replace the final x in the part number with the color of your choice (see page 4 for colors).



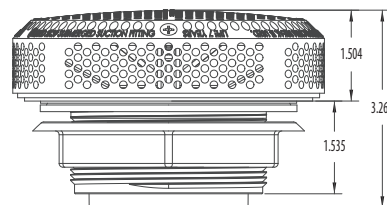
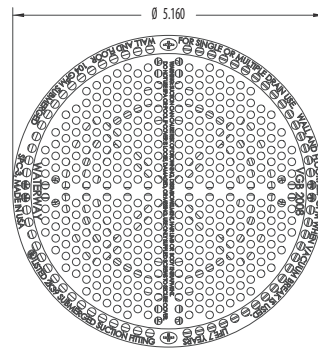
640-3797 V

VGB
2008



SPECIFICATIONS:

- Total Open Area: 9.02 sq. in.



FEATURES:

- New Super Hi-Flo Rating of 251 GPM (portable spas only)
- Available in 2" and 2 1/2" S sizes
- 2 1/2" can be used with fittings (on next page)

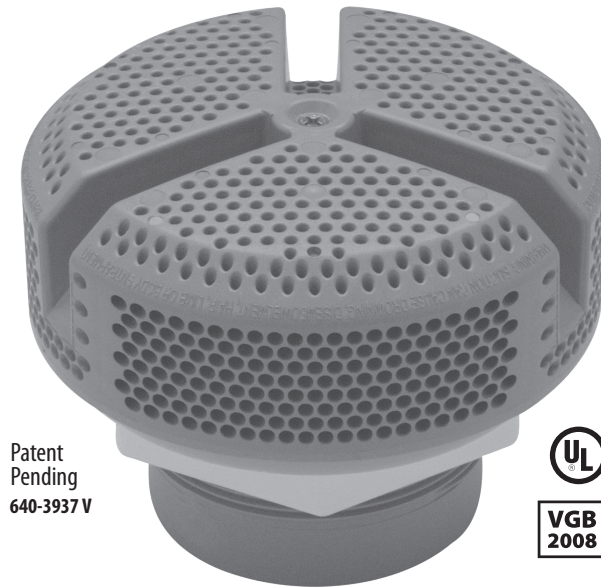
SPC-3 VP - 5" Super Hi-Flo Suctions

Part No.	Description	Case Quantity	List (US \$)
640-378x V	5" Super Hi-Flo Suction Assembly - 2" S	35	28.22
640-379x V	5" Super Hi-Flo Suction Assembly - 2 1/2" S	35	28.22
640-3570S V	5" Super Hi-Flo Suction Assembly - 2" S - Stainless Steel	35	41.45
640-3580S V	5" Super Hi-Flo Suction Assembly - 2 1/2" S - Stainless Steel	35	41.45

Replace the final x in the part number with the color of your choice (see page 4 for colors).



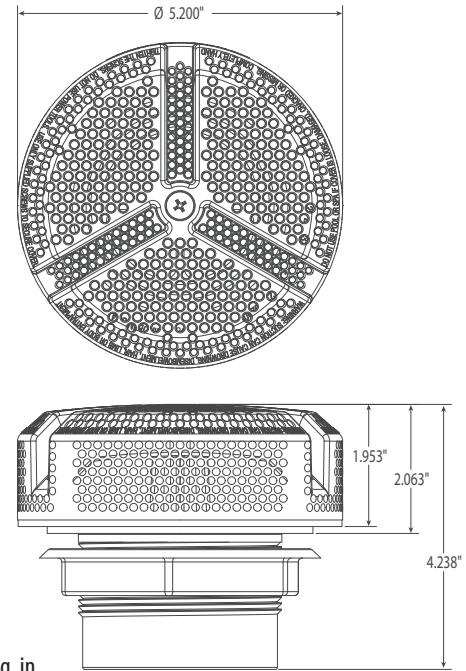
Spa Drains & Suctions / 5" Ultra Flo Suctions for Portable Spas



Patent Pending
640-3937 V



VGB
2008



FEATURES:

- Ultra Flo Rating of 264 GPM (portable spas only)
- Available in 2" and 2 ½" S sizes
- 2 ½" can be used with fittings (below)

SPECIFICATIONS:

- Total Open Area: 11.87 sq. in.

5" Ultra Flo Suctions

Part No.	Description	Case Quantity	List (US \$)
640-394x VP	5" Ultra Flo Suction Assembly - 2" S	35	28.55
640-393x VP	5" Ultra Flo Suction Assembly - 2 ½" S	35	28.55

Replace the final x in the part number with the color of your choice (see page 4 for colors)



Non-Vacuum Break Fittings for 2 ½" S Ultra Flo Suctions

Part No.	Description	Case Quantity	List (US \$)
642-3680	2 ½" x 2" S Straight Adapter	80	7.42
642-3700	2 ½" x 2" S 90° Ell Adapter	55	8.23
642-3610	2 ½" S 90° Ell Adapter	70	6.52
642-3730	2" S 90° Threaded Ell Adapter	35	7.42
642-3750	2" Threaded Straight Adapter	50	7.42