



WARNING

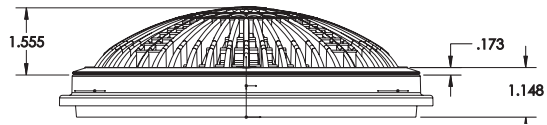
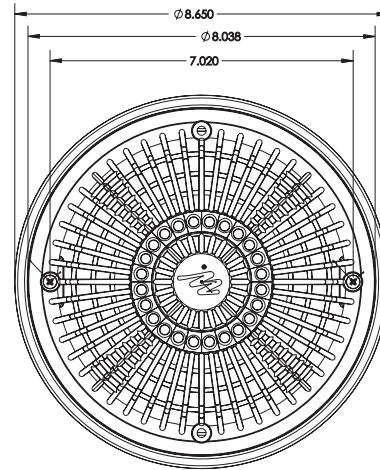
Read and follow all instructions in the Owner's Manual for the equipment.
Failure to follow instructions can cause injury and/or death.



All Waterway Drains, Grates and Suctions are Listed and Certified and Tested in strict accordance to the requirements of ASME A112.19.8-2007 and ASME A112.19.8a-2008 (as defined in CPSC letter dated April 8, 2011). Compliant to the latest Consumer Safety Product Commission Requirements (CPSC).



640-1800 V



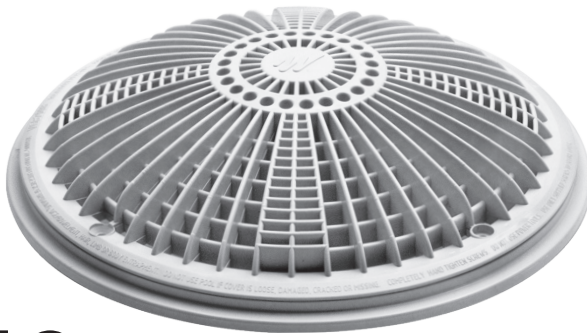
SPECIFICATIONS:

- Total Open Area: 14.8 sq. in.
- Frame Size: 8" Round
- Floor Flow Rate: 153 GPM @ 2.72 ft/sec
- Wall Flow Rate: 96 GPM @ 1.73 ft/sec
- Flow Rate @ 1.5 ft/sec: 68 GPM

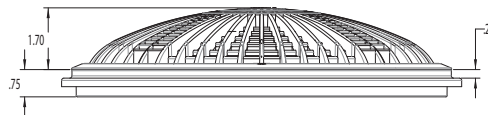
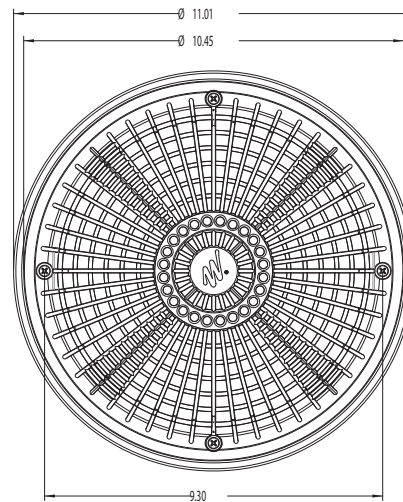
Tru Flo 8" Covers and Frames

Part No.	Description	Case Weight	Case Quantity	List (US \$)
640-180xV	8" Tru Flo Cover & Frame	25.88 lbs.	25	23.07

Replace the final x in the part number with the color of your choice (see page 4 for colors)



640-1900 V



SPECIFICATIONS:

- Total Open Area: 30.9 sq.
- Frame Size: 10" Round
- Floor Flow Rate: 200GPM @ 4.04 ft/sec
- Wall Flow Rate: 136 GPM @ 2.24 ft/sec
- Flow Rate @ 1.5 ft/sec: 143 GPM

Tru Flo 10" Covers and Frames

Part No.	Description	Case Weight	Case Quantity	List (US \$)
640-190xV	10" Tru Flo Cover & Frame	22.75 lbs.	15	44.97

Replace the final x in the part number with the color of your choice (see page 4 for colors)

Drains / Suctions



Drains & Suctions / 10" Ultra Retro Drains



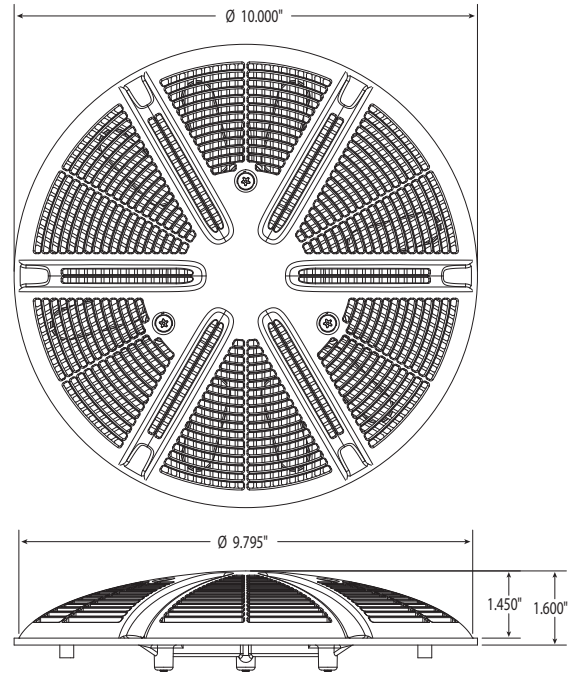
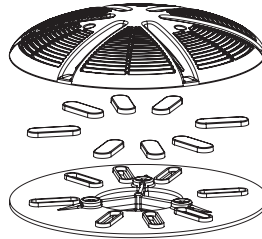
640-2130 V

VGB
2008

NSF

SPECIFICATIONS:

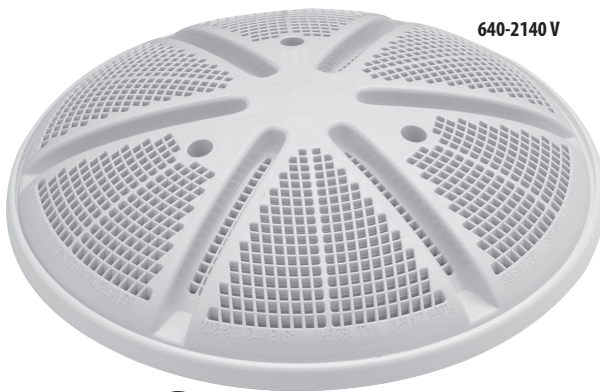
- Total Open Area: 20.4 sq. in.
- Frame Size: 10" Round
- Floor Flow Rate: 224 GPM @ 3.53 ft/sec
- Wall Flow Rate: 192 GPM @ 3.03 ft/sec
- Flow Rate @ 1.5 ft/sec: 95 GPM



10" Ultra-Retro Drains

Part No.	Description	Case Weight	Case Quantity	List (US \$)
640-213xV	10" Ultra-Retro Drain Suction Outlet	1.91 lbs.	1	93.80

Replace the final x in the part number with the color of your choice (see page 4 for colors).



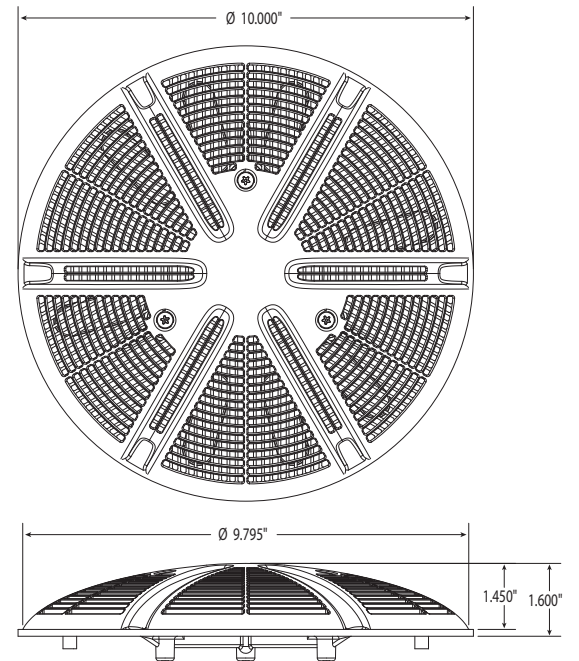
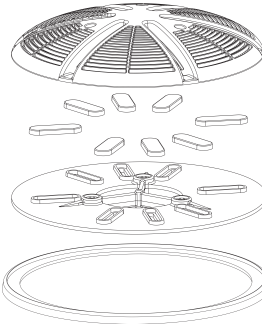
640-2140 V

VGB
2008

NSF

SPECIFICATIONS:

- Total Open Area: 20.4 sq. in.
- Frame Size: 10" Round
- Floor Flow Rate: 224 GPM @ 3.53 ft/sec
- Wall Flow Rate: 192 GPM @ 3.03 ft/sec
- Flow Rate @ 1.5 ft/sec: 95 GPM



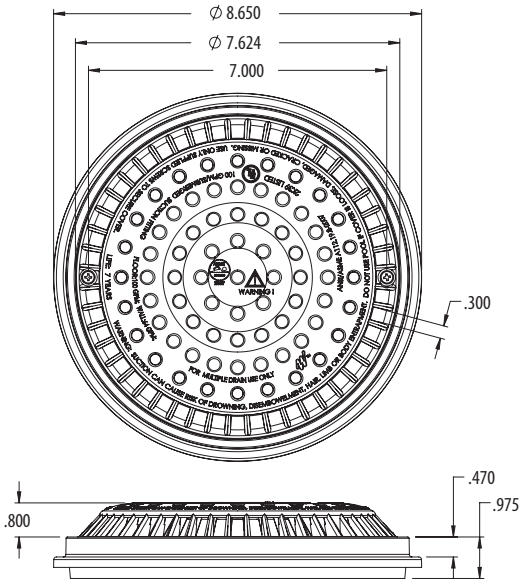
10" Ultra-Retro Drains - Vinyl

Part No.	Description	Case Weight	Case Quantity	List (US \$)
640-214xV	10" Ultra-Retro Drain Suction Outlet - Vinyl	2.08 lbs.	1	93.80

Replace the final x in the part number with the color of your choice (see page 4 for colors)



640-2310 V



SPECIFICATIONS:

- Total Open Area: 11.83 sq. in.
- Frame Size: 9" Round
- Floor Flow Rate: 100 GPM @ 2.72 ft/sec
- Wall Flow Rate: 64 GPM @ 1.73 ft/sec
- Flow Rate @ 1.5 ft/sec: 55 GPM

Drains / Suctions

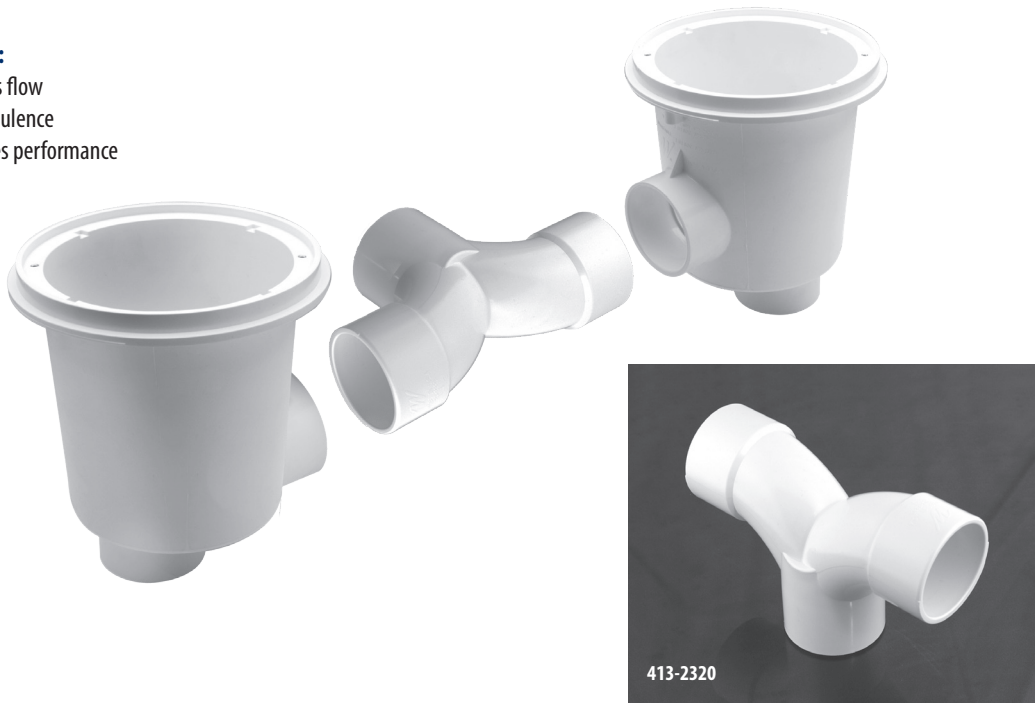
8" Covers and Frames

Part No.	Description	Case Weight	Case Quantity	List (US \$)
640-231xV	8" Anti-Vortex Cover & Frame	18.82 lbs.	25	23.54

Replace the final x in the part number with the color of your choice (see page 4 for colors).

FEATURES:

- Improves flow
- Less turbulence
- Optimizes performance



413-2320

Sanitary Tee

Part No.	Description	Case Quantity	List (US \$)
413-2320	2 1/2" x 2 1/2" x 2 1/2"	15	20.60



Drains & Suctions / Concrete Sump Bodies & Assemblies



674-2410



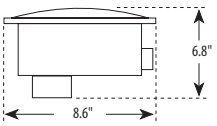
674-2500



640-8500 V



Note: Always use two or more drains per pump.



SIDE x BOTTOM

Concrete Bodies and Assemblies - Side x Bottom w/ Plugs

Part No.	Description	Case Quantity	List (US \$)
674-2410	8" Sump Body - Concrete - 1 1/2" S	3	42.53
674-2500	8" Sump Body - Concrete - 2" FPT	1	42.53
674-2510	8" Sump Body - Concrete - 2" S	7	42.53
640-8300 V	8" Sump Assembly - Concrete - 1 1/2" S - with 8" Tru Flo Drain Cover	1	45.62
640-8500 V	8" Sump Assembly - Concrete - 2" S - with 8" Tru Flo Drain Cover	1	45.62
640-8700 V	8" Sump Assembly - Concrete - 2" FPT - with 8" Tru Flo Drain Cover	8	45.62

Replace the final x in the part number with the color of your choice (see page 4 for colors).

FEATURES:

- Meets Florida Building Code
- 8" diameter x 7" deep (8") (plus sockets)



674-2600



640-2400 V



674-2900



Note: Always use two or more drains per pump.

Deep Sump Bodies and Assemblies - Side x Bottom w/ Plugs

Part No.	Description	Case Quantity	List (US \$)
674-2610	8" Deep Sump Body - Concrete - 2 1/2" S	1	59.53
674-2600	8" Deep Sump Body - Concrete - 2 1/2" FPT	1	59.53
640-2410 V	8" Deep Sump - 2 1/2" S - Grated A/V	1	83.07
640-7410 V	8" Deep Sump Assembly - Concrete - 2 1/2" S - with 8" Tru Flo Drain Cover	1	83.07
640-7400 V	8" Deep Sump Assembly - Concrete - 2 1/2" FPT - with 8" Tru Flo Drain Cover	1	83.07
674-2710	10" Deep Sump Body - Concrete - 2 1/2" S	1	113.09
674-2700	10" Deep Sump Body - Concrete - 2 1/2" FPT	1	113.09
674-2910	10" Deep Sump Body - Concrete - 3" S	1	124.40
674-2900	10" Deep Sump Body - Concrete - 3" FPT	1	124.40
640-7510 V	10" Deep Sump Assembly - Concrete - 2 1/2" S - with 10" Tru Flo Drain Cover	1	171.12
640-7500 V	10" Deep Sump Assembly - Concrete - 2 1/2" FPT - with 10" Tru Flo Drain Cover	1	171.43
640-7610 V	10" Deep Sump Assembly - Concrete - 3" S - with 10" Tru Flo Drain Cover	1	181.02
640-7600 V	10" Deep Sump Assembly - Concrete - 3" FPT - with 10" Tru Flo Drain Cover	1	181.02

Replace the final x in the part number with the color of your choice (see page 4 for colors)



Drains & Suctions / Vinyl Liner Sump Bodies & Assemblies



674-2430



674-2530



640-8400 V

Vinyl Liner Sump Bodies & Assemblies - Side x Bottom w/ plugs

Part No.	Description	Case Quantity	List (US \$)
674-2430	8" Sump Body - Vinyl - 1 1/2" S	1	42.53
674-2420	8" Sump Body - Vinyl - 1 1/2" FPT	1	42.53
674-2520	8" Sump Body - Vinyl - 2" S	1	42.53
674-2530	8" Sump Body - Vinyl - 2" FPT	1	42.53
640-8400 V	8" Sump Assembly - Vinyl - 1 1/2" S - with 8" Tru Flo Drain Cover	1	57.41
640-8600 V	8" Sump Assembly - Vinyl - 1 1/2" FPT - with 8" Tru Flo Drain Cover	1	57.41
640-8800 V	8" Sump Assembly - Vinyl - 2" S - with 8" Tru Flo Drain Cover	1	57.41
640-8900 V	8" Sump Assembly - Vinyl - 2" FPT - with 8" Tru Flo Drain Cover	1	57.41
640-226XV	8" Sump Assembly - Vinyl Liner Tru Flo Cover Kit	1	45.68



Note: Always use two or more drains per pump.

Replace the final x in the part number with the color of your choice (see page 4 for colors)



674-2620

FEATURES:

- Meets Florida Building Code
- 8" diameter x 7" deep (8") (plus sockets)

Vinyl Liner Deep Sump Bodies & Assemblies - Side x Bottom

Part No.	Description	Case Quantity	List (US \$)
674-2620	8" Deep Sump Body - Vinyl - 2 1/2" S	1	75.01



Note: Always use two or more drains per pump.

Replace the final x in the part number with the color of your choice (see page 4 for colors)

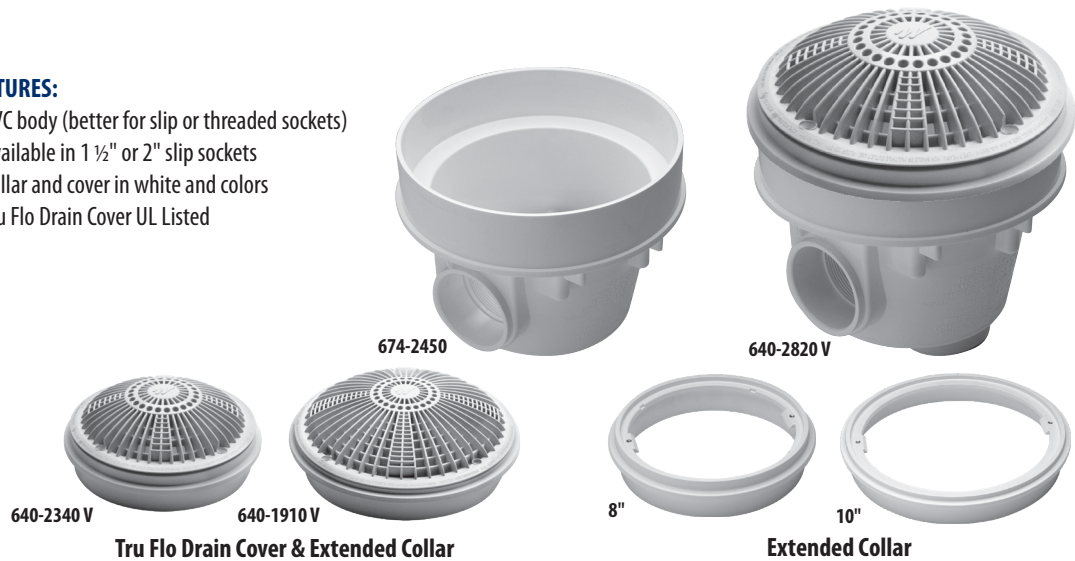


Drains & Suctions / Adjustable Collar Sump Bodies & Assemblies

Waterway's wide selection of pool drains and drain covers simplifies installation for new or existing pools and spas. We manufacture our drain bodies in PVC for better glue joints or threaded connections. Always use two or more drains per pump.

FEATURES:

- PVC body (better for slip or threaded sockets)
- Available in 1 1/2" or 2" slip sockets
- Collar and cover in white and colors
- Tru Flo Drain Cover UL Listed



Tru Flo Drain Cover & Extended Collar

Extended Collar



Note: Always use two or more drains per pump.

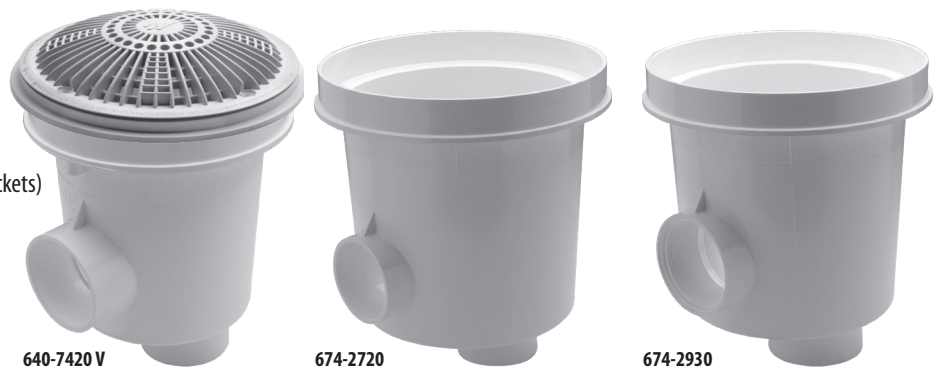
Adjustable Collar Sump Bodies & Assemblies

Part No.	Description	Case Qty	List (US \$)
674-2450	8" Sump Body - Adjustable Collar - 1 1/2" S (Side x Bottom) (For color order w/640-234x V)	1	29.73
674-2550	8" Sump Body - Adjustable Collar - 2" S (Side x Bottom) (For color order w/640-234x V)	1	29.73
674-2560	8" Sump Body - Adjustable Collar - 2" S (Side Only) (For color order w/640-234x V)	1	29.73
640-292x V	8" Sump Assembly - Adjustable Collar - 2" S (Side x Bottom) - w/8" Anti-Vortex Drain Cover/White only	1	53.78
640-234x V	8" Anti-Vortex Drain Cover and Extended Collar Assembly	1	24.08
640-191x V	10" Tru Flo Drain Cover and Extended Collar Assembly	1	45.87

Replace the final x in the part number with the color of your choice (see page 4 for colors)

FEATURES:

- Meets Florida Building Code
- 8" diameter x 7" deep (8") (plus sockets)



640-7420 V

674-2720

674-2930

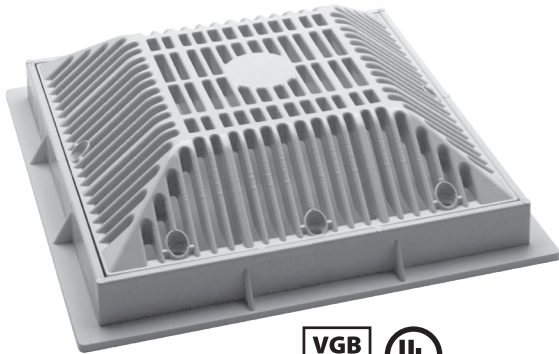


Note: Always use two or more drains per pump.

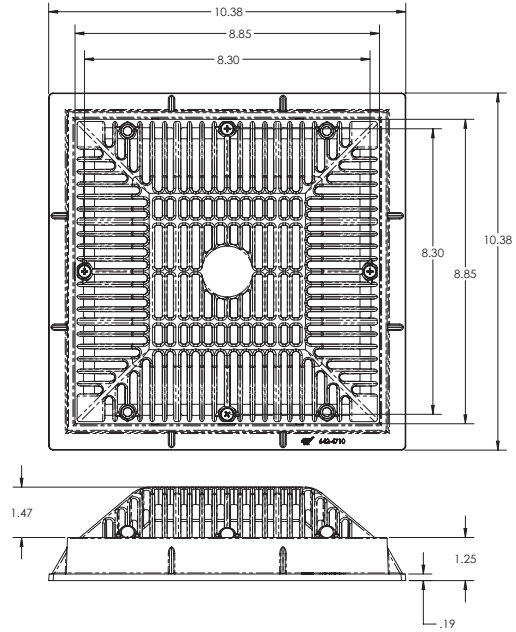
Adjustable Collar Deep Sump Bodies & Assemblies - Side x Bottom

Part No.	Description	Case Qty	List (US \$)
674-2640	8" Deep Sump Body - Adjustable Collar - 2 1/2" S (For color order w/640-234x V)	1	41.62
640-7420 V	8" Deep Sump Assembly - Adjustable Collar - 2 1/2" S - with 8" Tru Flo Drain Cover/White only	1	136.32
674-2720	10" Deep Sump Body - Adjustable Collar - 2 1/2" S (For color order w/640-191x V)	1	117.97
674-2730	10" Deep Sump Body - Adjustable Collar - 2 1/2" FPT (For color order w/640-191x V)	1	117.97
674-2920	10" Deep Sump Body - Adjustable Collar - 3" S (For color order w/640-191x V)	1	129.75
674-2930	10" Deep Sump Body - Adjustable Collar - 3" FPT (For color order w/640-191x V)	1	129.75
640-722x V	10" Deep Sump Assembly - Adjustable Collar - 2 1/2" S - with 10" Tru Flo Drain Cover/White only	1	162.70
640-723x V	10" Deep Sump Assembly - Adjustable Collar - 2 1/2" FPT - with 10" Tru Flo Drain Cover/White only	1	162.70
640-732x V	10" Deep Sump Assembly - Adjustable Collar - 3" S - with 10" Tru Flo Drain Cover/White only	1	174.48
640-733x V	10" Deep Sump Assembly - Adjustable Collar - 3" FPT - with 10" Tru Flo Drain Cover/White only	1	174.48

Replace the final x in the part number with the color of your choice (see page 4 for colors)



640-4790 V



SPECIFICATIONS:

- Total Open Area: 43.6 sq. in.
- Frame Size: 10.375" x 10.375"
- Floor Flow Rate: 289 GPM @ 2.33 ft/sec
- Wall Flow Rate: 208 GPM @ 1.59 ft/sec
- Flow Rate @ 1.5 ft/sec: 203 GPM

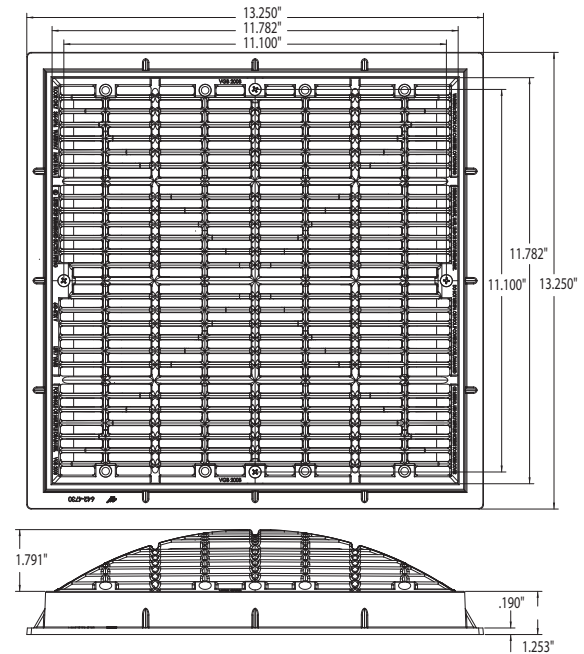
9" x 9" Grate and Frame

Part No.	Description	Case Quantity	List (US \$)
640-479xV	9" x 9" Grate & Frame	13	93.66

Replace the final x in the part number with the color of your choice (see page 4 for colors)



640-4720 V



SPECIFICATIONS:

- Total Open Area: 62.4 sq. in.
- Frame Size: 13.250" x 13.250"
- Floor Flow Rate: 356 GPM @ 1.83 ft/sec
- Wall Flow Rate: 280 GPM @ 1.44 ft/sec
- Flow Rate @ 1.5 ft/sec: 292 GPM

12" x 12" Grate and Frame

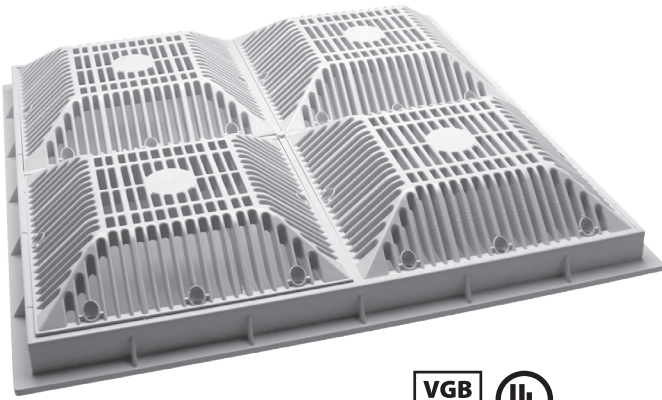
Part No.	Description	Case Quantity	List (US \$)
640-472xV	12" x 12" Grate & Frame	10	142.06

Replace the final x in the part number with the color of your choice (see page 4 for colors)



Drains & Suctions - Ratings You Can Trust / 18" x 18" & 24" x 24" Grate & Frame

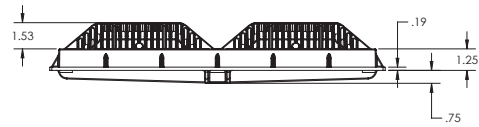
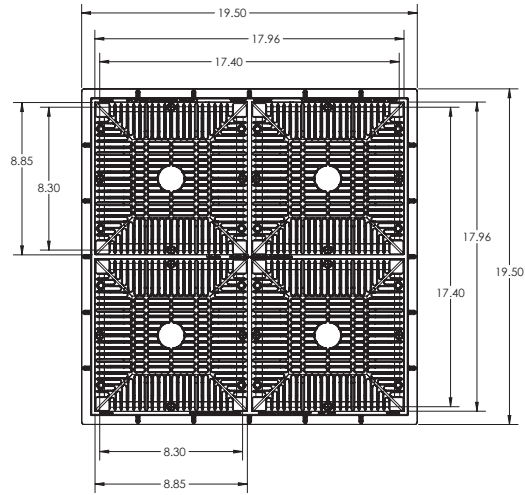
Drains / Suctions



VGB 2008  **640-4770 V**

FEATURES:

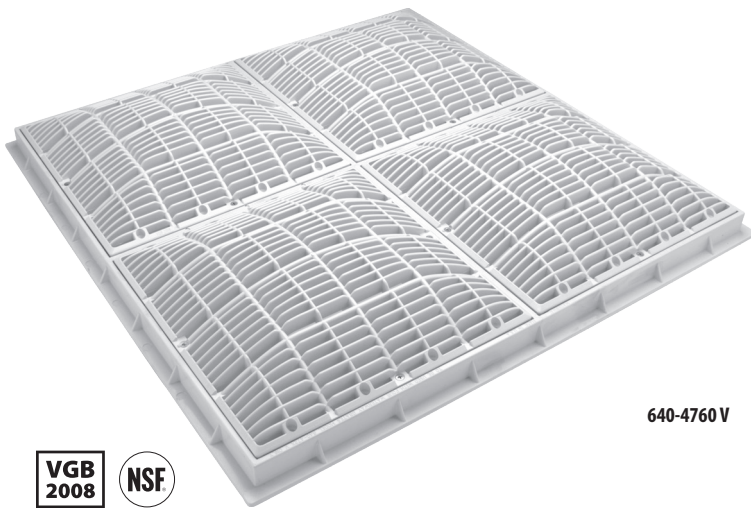
- Total Open Area: 174.4 sq. in.
- Frame Size: 19.5" x 19.5"
- Floor Flow Rate: 788 GPM @ 1.09 ft/sec
- Wall Flow Rate: N/A
- Flow Rate @ 1.5 ft/sec: 812 GPM



18" x 18" Grate and Frame

Part No.	Description	Case Quantity	List (US \$)
640-477xV	18" x 18" Grate & Frame	1	517.71

Replace the final x in the part number with the color of your choice (see page 4 for colors)

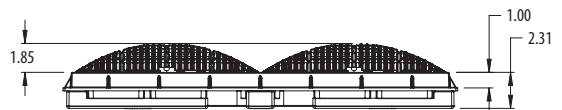
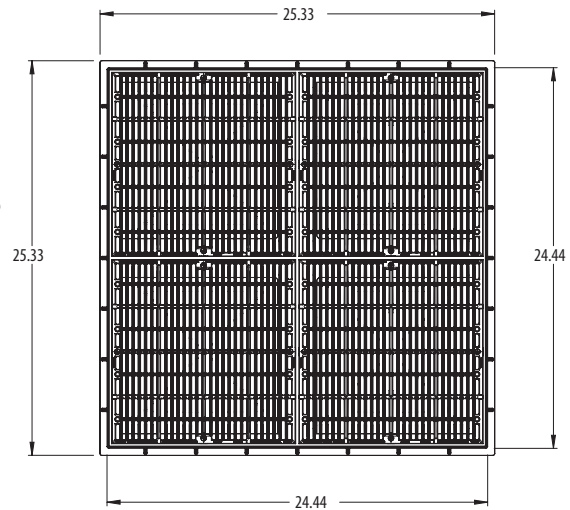


VGB 2008 

640-4760 V

FEATURES:

- Total Open Area: 249.6 sq. in.
- Frame Size: 25.33" x 25.33"
- Floor Flow Rate: 2035 GPM @ 2.62 ft/sec
- Wall Flow Rate: N/A
- Flow Rate @ 1.5 ft/sec: 1168 GPM



24" x 24" Grate and Frame

Part No.	Description	Case Quantity	List (US \$)
640-476xV	24" x 24" Grate & Frame	1	666.66

Replace the final x in the part number with the color of your choice (see page 4 for colors)

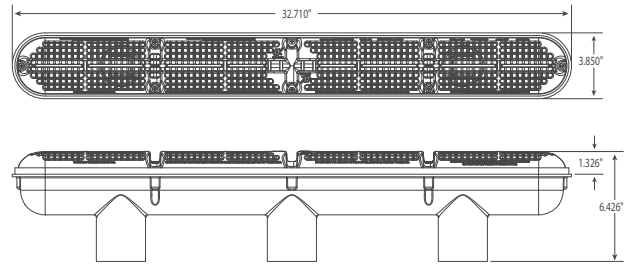


Drains & Suctions - Ratings You Can Trust / 32" Ultra Strip Drains



Hydrostatic Valve available.
See page 101.

640-1320 V



SPECIFICATIONS:

- Total Open Area: 37.7 sq. in.
- Frame Size: 32" Channel
- Floor Flow Rate (One Port Center): 288 GPM @ 2.47 ft/sec
- Floor Flow Rate (Two Ports): 352 GPM @ 3.02 ft/sec
- Wall Flow Rate (One Port Center): 232 GPM @ 1.99 ft/sec
- Wall Flow Rate (Two Ports): 304 GPM @ 2.61 ft/sec
- Flow Rate @ 1.5 ft/sec: 175 GPM
- Ports - 2" S or 2-1/2" SPG
- 2 - 2" MPT Plugs Included

UNBLOCKABLE



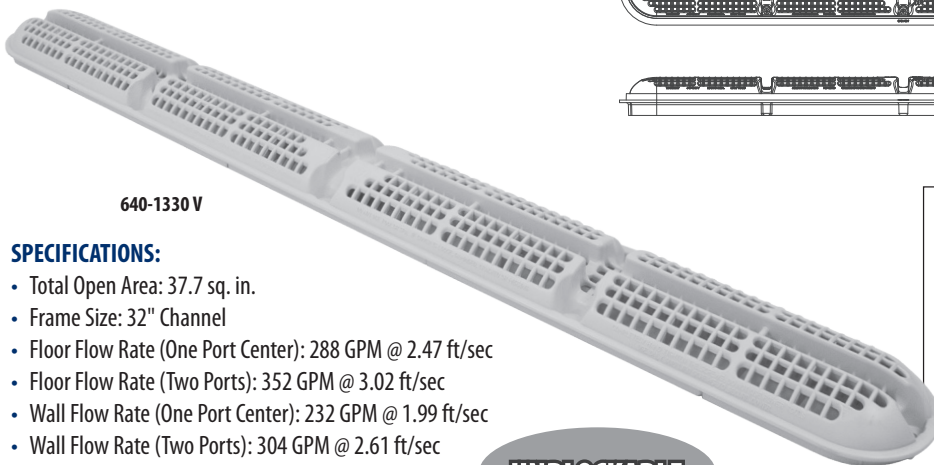
New cover design provides complete coverage for sump body!



32" Ultra Strip Drains - Concrete

Part No.	Description	Case Quantity	List (US \$)
640-132x V	32" Ultra Strip Drain - Concrete	1	339.09
642-1320	32" Plaster Body Drain	1	213.62

Replace the final x in the part number with the color of your choice (see page 4 for colors)

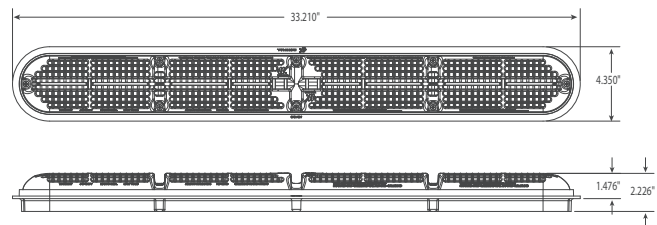


640-1330 V

SPECIFICATIONS:

- Total Open Area: 37.7 sq. in.
- Frame Size: 32" Channel
- Floor Flow Rate (One Port Center): 288 GPM @ 2.47 ft/sec
- Floor Flow Rate (Two Ports): 352 GPM @ 3.02 ft/sec
- Wall Flow Rate (One Port Center): 232 GPM @ 1.99 ft/sec
- Wall Flow Rate (Two Ports): 304 GPM @ 2.61 ft/sec
- Flow Rate @ 1.5 ft/sec: 175 GPM

UNBLOCKABLE



New cover design provides complete coverage for sump body!



32" Ultra Strip Drains - Field Built Sumps

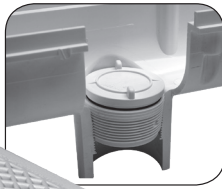
Part No.	Description	Case Quantity	List (US \$)
640-133x V	32" Ultra Strip Drain - Field Built Sumps	1	227.88

Replace the final x in the part number with the color of your choice (see page 4 for colors)



Drains & Suctions / 32" Diamond Strip Drains

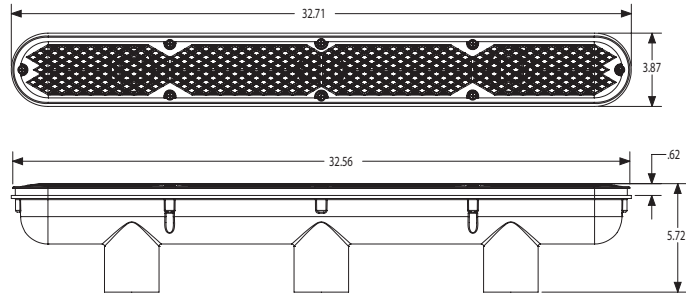
Hydrostatic Valve available.
See page 101.



640-1360 V

SPECIFICATIONS:

- Total Open Area: 37.7 sq. in.
- Frame Size: 32" Channel
- Floor Flow Rate (One Port Center): 280 GPM @ 3.75 ft/sec
- Floor Flow Rate (Two Ports): 320 GPM @ 4.29 ft/sec
- Wall Flow Rate (One Port Center): 216 GPM @ 2.89 ft/sec
- Wall Flow Rate (Two Ports): 240 GPM @ 3.22 ft/sec
- Flow Rate @ 1.5 ft/sec: 110 GPM
- Ports - 2" S or 2-1/2" SPG
- 2 - 2" MPT Plugs Included



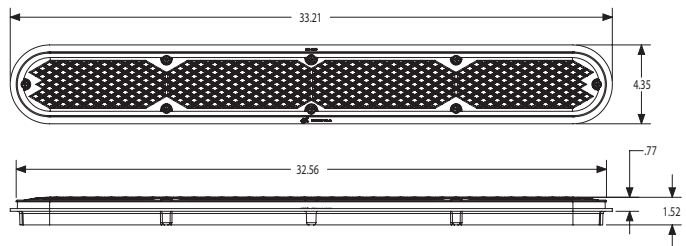
32" Diamond Strip Drains - Concrete

Part No.	Description	Case Quantity	List (US \$)
640-136x V	32" Diamond Strip Drain - Concrete	1	339.09
642-1320	32" Plaster Body Drain	1	213.62

Replace the final x in the part number with the color of your choice (see page 4 for colors)



640-1377-DKG V



32" Diamond Strip Drains - Field Built Sumps

Part No.	Description	Case Quantity	List (US \$)
640-137x V	32" Diamond Strip Drain - Field Built Sumps	1	214.33


Replace the final x in the part number with the color of your choice (see page 4 for colors)

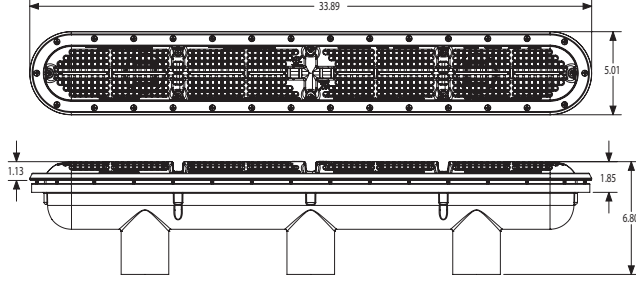


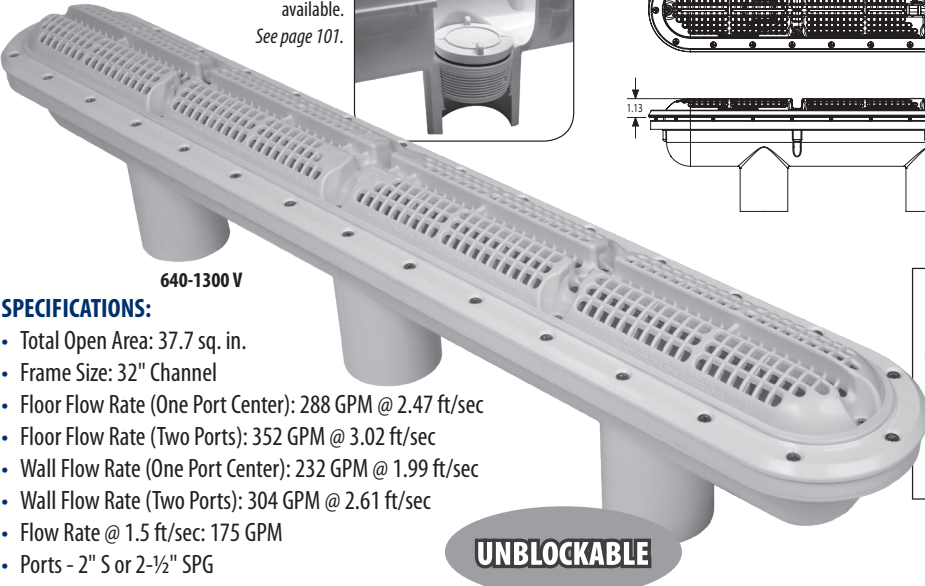
Drains & Suctions - Vinyl / 32" Ultra Strip Drains

Drains / Suctions

Hydrostatic Valve available. See page 101.








640-1300 V

SPECIFICATIONS:

- Total Open Area: 37.7 sq. in.
- Frame Size: 32" Channel
- Floor Flow Rate (One Port Center): 288 GPM @ 2.47 ft/sec
- Floor Flow Rate (Two Ports): 352 GPM @ 3.02 ft/sec
- Wall Flow Rate (One Port Center): 232 GPM @ 1.99 ft/sec
- Wall Flow Rate (Two Ports): 304 GPM @ 2.61 ft/sec
- Flow Rate @ 1.5 ft/sec: 175 GPM
- Ports - 2" S or 2-1/2" SPG
- 2 - 2" MPT Plugs Included

UNBLOCKABLE

New cover design provides complete coverage for sump body!



VGB 2008


NSF

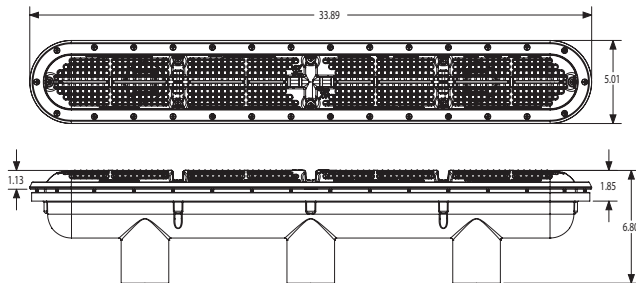
32" Ultra Strip Drains - Vinyl

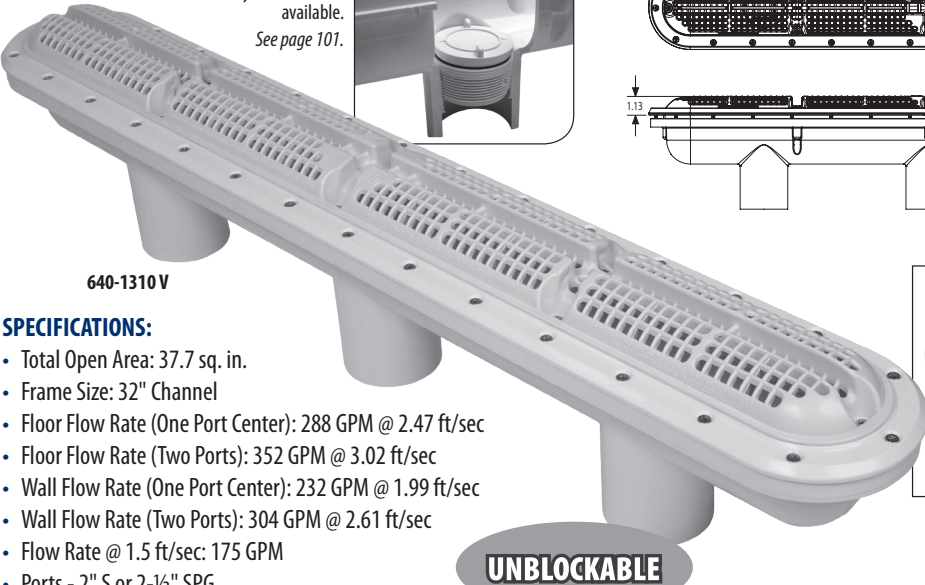
Part No.	Description	Case Quantity	List (US \$)
640-130xV	32" Ultra Strip Drain - Vinyl	1	444.87
642-1320	32" Plaster Body Drain	1	213.62

Replace the final x in the part number with the color of your choice (see page 4 for colors)

Hydrostatic Valve available. See page 101.








640-1310 V

SPECIFICATIONS:

- Total Open Area: 37.7 sq. in.
- Frame Size: 32" Channel
- Floor Flow Rate (One Port Center): 288 GPM @ 2.47 ft/sec
- Floor Flow Rate (Two Ports): 352 GPM @ 3.02 ft/sec
- Wall Flow Rate (One Port Center): 232 GPM @ 1.99 ft/sec
- Wall Flow Rate (Two Ports): 304 GPM @ 2.61 ft/sec
- Flow Rate @ 1.5 ft/sec: 175 GPM
- Ports - 2" S or 2-1/2" SPG
- 2 - 2" MPT Plugs Included

UNBLOCKABLE

New cover design provides complete coverage for sump body!



VGB 2008

NSF

32" Ultra Strip Drains - Fiberglass

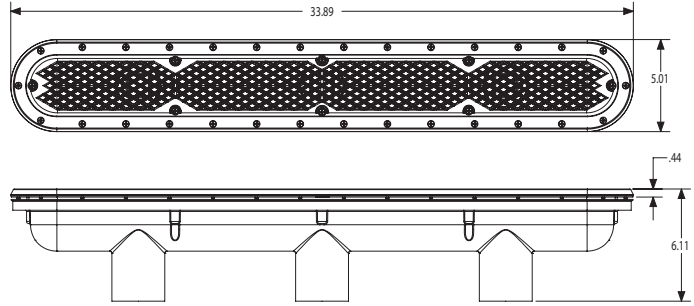
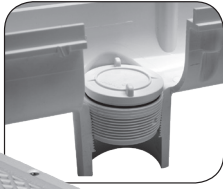
Part No.	Description	Case Quantity	List (US \$)
640-131xV	32" Ultra Strip Drain - Fiberglass	1	444.87
642-1320	32" Plaster Body Drain	1	213.62

Replace the final x in the part number with the color of your choice (see page iv for colors).



Drains & Suctions - Vinyl / 32" Diamond Strip Drains

Hydrostatic Valve available. See page 101.

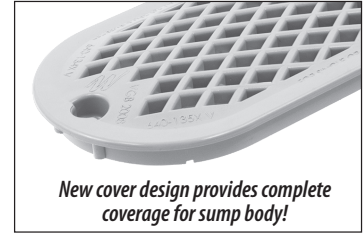


640-1340 V

SPECIFICATIONS:

- Total Open Area: 37.7 sq. in.
- Frame Size: 32" Channel
- Floor Flow Rate (One Port Center): 280 GPM @ 3.75 ft/sec
- Floor Flow Rate (Two Ports): 320 GPM @ 4.29 ft/sec
- Wall Flow Rate (One Port Center): 216 GPM @ 2.89 ft/sec
- Wall Flow Rate (Two Ports): 240 GPM @ 3.22 ft/sec
- Flow Rate @ 1.5 ft/sec: 110 GPM
- Ports - 2" S or 2-1/2" SPG
- 2 - 2" MPT Plugs Included

UNBLOCKABLE



VGB 2008

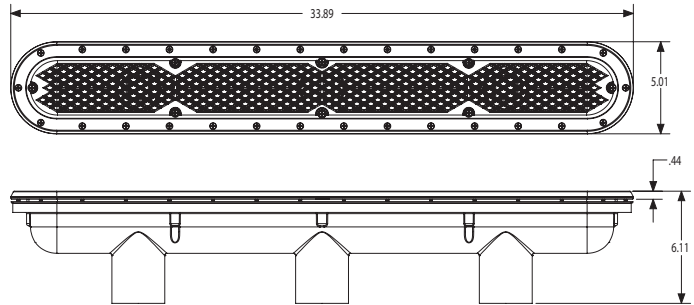
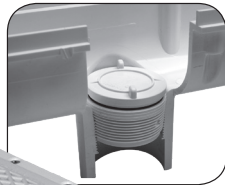
NSF

32" Diamond Strip Drains - Vinyl

Part No.	Description	Case Quantity	List (US \$)
640-134xV	32" Diamond Strip Drain - Vinyl	1	444.87
642-1320	32" Plaster Body Drain	1	213.62

Replace the final x in the part number with the color of your choice (see page 4 for colors)

Hydrostatic Valve available. See page 101.



640-1350 V

SPECIFICATIONS:

- Total Open Area: 37.7 sq. in.
- Frame Size: 32" Channel
- Floor Flow Rate (One Port Center): 280 GPM @ 3.75 ft/sec
- Floor Flow Rate (Two Ports): 320 GPM @ 4.29 ft/sec
- Wall Flow Rate (One Port Center): 216 GPM @ 2.89 ft/sec
- Wall Flow Rate (Two Ports): 240 GPM @ 3.22 ft/sec
- Flow Rate @ 1.5 ft/sec: 110 GPM
- Ports - 2" S or 2-1/2" SPG
- 2 - 2" MPT Plugs Included

UNBLOCKABLE



VGB 2008

NSF

32" Diamond Strip Drains - Fiberglass

Part No.	Description	Case Quantity	List (US \$)
640-135xV	32" Diamond Strip Drain - Fiberglass	1	444.87
640-134xLGV	32" Diamond Strip Drain for Fiberglass Spas	1	432.08
642-1320	32" Plaster Body Drain	1	213.62

Replace the final x in the part number with the color of your choice (see page 4 for colors)



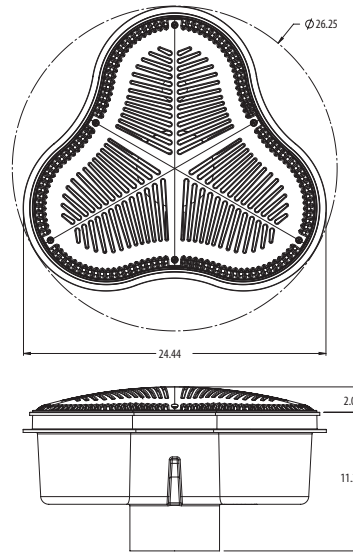
Hydrostatic Relief Valve			
Part No.	Description	Case Qty	List (US \$)
600-2100	1 1/2" Hydrostatic Relief Valve / 2" MPT	200	17.35
600-2140	2" Hydrostatic Relief Valve	200	17.35
600-2150B	2 1/2" Hydrostatic Adapter Kit	--	36.93
600-2160B	3" Hydrostatic Adapter Kit	--	40.37

UNBLOCKABLE

Pat. #7,820,041



640-1000 V



SPECIFICATIONS:

- Total Open Area: 78.92 sq. in.
- Frame Size: Freeform Design
- Floor Flow Rate: 840 GPM @ 3.71 ft/sec
- Wall Flow Rate: 508 GPM @ 2.24 ft/sec
- Flow Rate @ 1.5 ft/sec: 341.2 GPM

Clover Drains

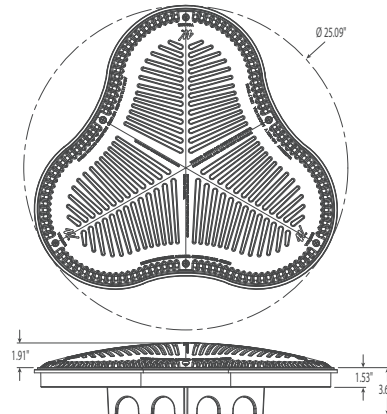
Part No.	Description	Case Quantity	List (US \$)
640-100x V	Clover Drain Assembly	1	1,192.06

Replace the final x in the part number with the color of your choice (see page 4 for colors)

UNBLOCKABLE



645-1009-DKG V



SPECIFICATIONS:

- Total Open Area: 78.92 sq. in.
- Frame Size: Freeform Design
- Floor Flow Rate: 840 GPM @ 3.71 ft/sec
- Wall Flow Rate: 508 GPM @ 2.24 ft/sec
- Flow Rate @ 1.5 ft/sec: 341.2 GPM

Clover Drains for Field Built Sumps

Part No.	Description	Case Quantity	List (US \$)
645-100x V	Clover Drain Assembly for Field Built Sumps	1	491.84

Replace the final x in the part number with the color of your choice (see page 4 for colors)

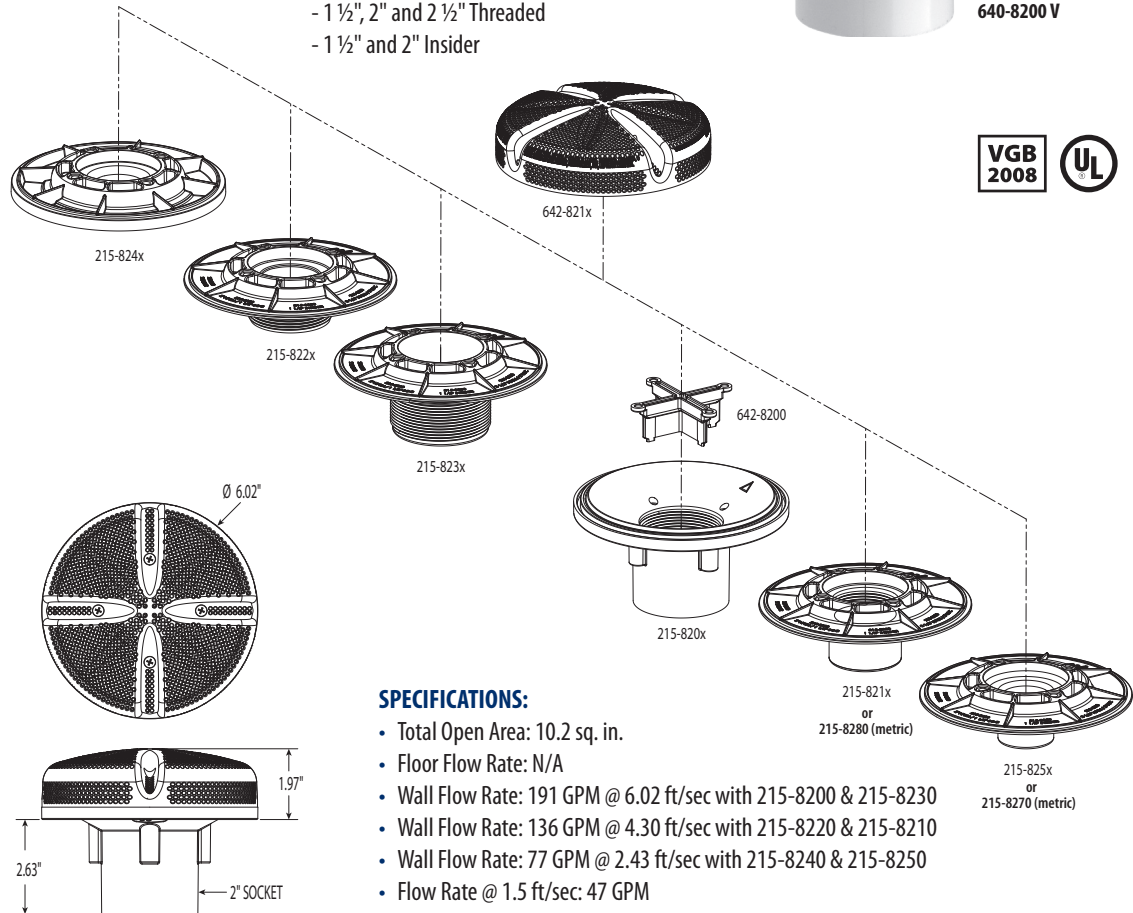
Drains / Suctions



Drains & Suctions / 6" Ultra Suction & Equalizer

FEATURES:

- Sumpless Design: no sump body required
- Ultra versatile drain - can be used for a wide variety of applications: Gunite, Fiberglass, Tile, and Steel Pools & Spas
- All Waterway adapter fittings are made of NSF Rated PVC and can be used with PVC cements (no expensive ABS/PVC transitional glue)
- Available with 6 different PVC wall fitting adapters for connection through:
 - 1", 1 1/2" and 2" Slip
 - 1 1/2", 2" and 2 1/2" Threaded
 - 1 1/2" and 2" Insider



SPECIFICATIONS:

- Total Open Area: 10.2 sq. in.
- Floor Flow Rate: N/A
- Wall Flow Rate: 191 GPM @ 6.02 ft/sec with 215-8200 & 215-8230
- Wall Flow Rate: 136 GPM @ 4.30 ft/sec with 215-8220 & 215-8210
- Wall Flow Rate: 77 GPM @ 2.43 ft/sec with 215-8240 & 215-8250
- Flow Rate @ 1.5 ft/sec: 47 GPM

6" Ultra Suction and Equalizer

Part No.	Description	Case Quantity	List (US \$)
640-820x V	6" Ultra Suction (Model 640-82XX V) with 2" Equalizer Wall Fitting (215-8200)	15	76.41
640-823x V	6" Ultra Suction (Model 640-82XX V) with 2 1/2" Threaded Wall Fitting (215-8230)	20	76.16
640-822x V	6" Ultra Suction (Model 640-82XX V) with 2" Threaded Wall Fitting (215-8220)	25	75.01
640-821x V	6" Ultra Suction (Model 640-82XX V) with 2" Insider Wall Fitting (215-8210)	25	56.38
640-824x V	6" Ultra Suction (Model 640-82XX V) with 1 1/2" Threaded Wall Fitting (215-8240)	25	56.38
640-825x V	6" Ultra Suction (Model 640-82XX V) with 1 1/2" Insider Wall Fitting (215-8250)	25	56.38
215-8200	Wall Fitting for 6" Ultra Suction - 2" Equalizer	40	26.92
215-8230	Wall Fitting for 6" Ultra Suction - 2 1/2" Threaded	40	26.92
215-8220	Wall Fitting for 6" Ultra Suction - 2" Threaded	40	20.71
215-8210	Wall Fitting for 6" Ultra Suction - 2" Insider	40	20.71
215-8280	Wall Fitting for 6" Ultra Suction - 50.8mm Insider (metric)	90	20.71
215-8240	Wall Fitting for 6" Ultra Suction - 1 1/2" Threaded	90	20.71
215-8250	Wall Fitting for 6" Ultra Suction - 1 1/2" Insider	90	20.71
215-8270	Wall Fitting for 6" Ultra Suction - 38.1mm Insider (metric)	100	20.71