



Fittings / Return Wall Fittings



215-9170B



215-9880



215-9150



215-9890



400-9170



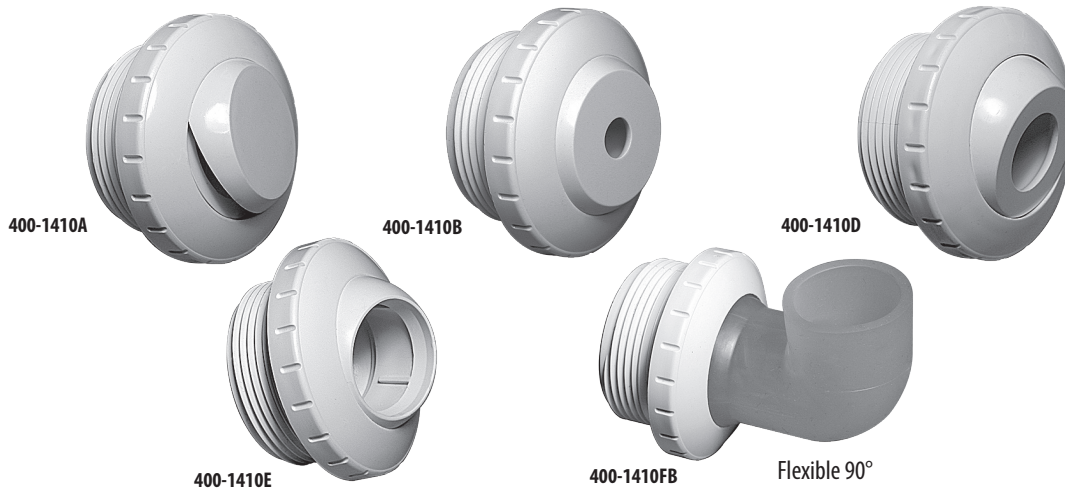
400-9150B

Return Wall Fittings

Part No.	Description	Color	Case Weight	Case Quantity	List (US \$)
215-9170B	Return Wall Fitting 1 1/2" FPT Thru	White	8 lbs.	50 (indiv.)	5.72
215-9170	Return Wall Fitting 1 1/2" FPT Thru	White	26.15 lbs.	200 (bulk)	5.04
215-9171	Return Wall Fitting 1 1/2" FPT Thru	Black	26.15 lbs.	200 (bulk)	5.56
215-9177	Return Wall Fitting 1 1/2" FPT Thru	Gray	26.15 lbs.	200 (bulk)	5.56
215-9179-DKG	Return Wall Fitting 1 1/2" FPT Thru	Dark Gray	26.15 lbs.	200 (bulk)	5.56
215-9179-BEI	Return Wall Fitting 1 1/2" FPT Thru	Beige	26.15 lbs.	200 (bulk)	5.56
215-9880	Return Wall Fitting 1 1/2" FPT x 1" S	White	30.05 lbs.	200 (bulk)	5.90
215-9881	Return Wall Fitting 1 1/2" FPT x 1" S	Black	30.05 lbs.	200 (bulk)	6.41
215-9887	Return Wall Fitting 1 1/2" FPT x 1" S	Gray	30.05 lbs.	200 (bulk)	6.41
215-9889-DKG	Return Wall Fitting 1 1/2" FPT x 1" S	Dark Gray	30.05 lbs.	200 (bulk)	6.41
215-9150B	Return Wall Fitting 1 1/2" FPT x 1 1/2" S	White	8 lbs.	50 (indiv.)	5.56
215-9150	Return Wall Fitting 1 1/2" FPT x 1 1/2" S	White	27.30 lbs.	200 (bulk)	5.04
215-9151	Return Wall Fitting 1 1/2" FPT x 1 1/2" S	Black	27.30 lbs.	200 (bulk)	5.56
215-9157	Return Wall Fitting 1 1/2" FPT x 1 1/2" S	Gray	27.30 lbs.	200 (bulk)	5.56
215-9159-DKG	Return Wall Fitting 1 1/2" FPT x 1 1/2" S	Dark Gray	27.30 lbs.	200 (bulk)	5.56
215-9159-BEI	Return Wall Fitting 1 1/2" FPT x 1 1/2" S	Beige	27.30 lbs.	200 (bulk)	5.56
215-9159-DKB	Return Wall Fitting 1 1/2" FPT x 1 1/2" S	Dark Blue	27.30 lbs.	200 (bulk)	5.56
215-9890	Return Wall Fitting 1 1/2" FPT x 2" Insider (<i>fits inside 2" pipe</i>)	White	5.47 lbs.	60 (bulk)	7.81
215-9891	Return Wall Fitting 1 1/2" FPT x 2" Insider (<i>fits inside 2" pipe</i>)	Black	5.47 lbs.	60 (bulk)	8.53
215-9897	Return Wall Fitting 1 1/2" FPT x 2" Insider (<i>fits inside 2" pipe</i>)	Gray	5.47 lbs.	60 (bulk)	8.53
215-9899-DKG	Return Wall Fitting 1 1/2" FPT x 2" Insider (<i>fits inside 2" pipe</i>)	Dark Gray	5.47 lbs.	60 (bulk)	8.53
400-9170B	Return Wall Fitting Assembly with Nut and Gasket 1 1/2" FPT Thru	White	13 lbs.	50 (indiv.)	11.28
400-9171B	Return Wall Fitting Assembly with Nut and Gasket 1 1/2" FPT Thru	Black	13 lbs.	50 (indiv.)	11.77
400-9177B	Return Wall Fitting Assembly with Nut and Gasket 1 1/2" FPT Thru	Gray	13 lbs.	50 (indiv.)	11.77
400-9170	Return Wall Fitting Assembly with Nut and Gasket 1 1/2" FPT Thru	White	12 lbs.	50 (bulk)	10.41
400-9171	Return Wall Fitting Assembly with Nut and Gasket 1 1/2" FPT Thru	Black	12 lbs.	50 (bulk)	10.92
400-9177	Return Wall Fitting Assembly with Nut and Gasket 1 1/2" FPT Thru	Gray	12 lbs.	50 (bulk)	10.92
400-9150B	Return Wall Fitting Assembly with Nut and Gasket 1 1/2" FPT x 1 1/2" S	White	13 lbs.	50 (indiv.)	11.28
400-9150	Return Wall Fitting Assembly with Nut and Gasket 1 1/2" FPT x 1 1/2" S	White	13 lbs.	50 (bulk)	10.41
400-9151	Return Wall Fitting Assembly with Nut and Gasket 1 1/2" FPT x 1 1/2" S	Black	13 lbs.	50 (bulk)	10.92
400-9157	Return Wall Fitting Assembly with Nut and Gasket 1 1/2" FPT x 1 1/2" S	Gray	13 lbs.	50 (bulk)	10.92



Fittings / Threaded Eyeball Fittings



Threaded Eyeball Fittings - 1 1/2" MPT

Part No.	Description	Color	Case Weight	Case Quantity	List (US \$)
400-1410AB	Slotted Eyeball Opening (<i>bagged</i>)	White	10.50 lbs.	100 (indiv.)	6.26
400-1417AB	Slotted Eyeball Opening (<i>bagged</i>)	Gray	10.50 lbs.	100 (indiv.)	7.45
400-1410A	Slotted Eyeball Opening	White	12.55 lbs.	125 (bulk)	5.56
400-1411A	Slotted Eyeball Opening	Black	12.55 lbs.	125 (bulk)	6.75
400-1417A	Slotted Eyeball Opening	Gray	12.55 lbs.	125 (bulk)	6.75
400-1419A-DK	Slotted Eyeball Opening	Dark Gray	12.55 lbs.	125 (bulk)	6.75
400-1410BB	3/8" Eyeball Opening (<i>bagged</i>)	White	10.75 lbs.	100 (indiv.)	5.56
400-1410B	3/8" Eyeball Opening	White	12.45 lbs.	125 (bulk)	4.85
400-1411B	3/8" Eyeball Opening	Black	12.45 lbs.	125 (bulk)	5.38
400-1417B	3/8" Eyeball Opening	Gray	12.45 lbs.	125 (bulk)	5.38
400-1419B-DK	3/8" Eyeball Opening	Dark Gray	12.45 lbs.	125 (bulk)	5.38
400-1410CB	1/2" Eyeball Opening (<i>bagged</i>)	White	10.70 lbs.	100 (indiv.)	5.56
400-1410C	1/2" Eyeball Opening	White	12.55 lbs.	125 (bulk)	4.85
400-1411C	1/2" Eyeball Opening	Black	12.55 lbs.	125 (bulk)	5.38
400-1417C	1/2" Eyeball Opening	Gray	12.55 lbs.	125 (bulk)	5.38
400-1419C-DK	1/2" Eyeball Opening	Dark Gray	12.55 lbs.	125 (bulk)	5.38
400-1410DB	3/4" Eyeball Opening (<i>bagged</i>)	White	10.35 lbs.	100 (indiv.)	5.56
400-1411DB	3/4" Eyeball Opening (<i>bagged</i>)	Black	10.35 lbs.	100 (indiv.)	6.10
400-1417DB	3/4" Eyeball Opening (<i>bagged</i>)	Gray	10.35 lbs.	100 (indiv.)	6.10
400-1410D	3/4" Eyeball Opening	White	11.65 lbs.	125 (bulk)	4.85
400-1411D	3/4" Eyeball Opening	Black	11.65 lbs.	125 (bulk)	5.38
400-1417D	3/4" Eyeball Opening	Gray	11.65 lbs.	125 (bulk)	5.38
400-1419D-DK	3/4" Eyeball Opening	Dark Gray	11.65 lbs.	125 (bulk)	5.38
400-1419D-BEI	3/4" Eyeball Opening	Beige	11.65 lbs.	125 (bulk)	5.38
400-1410EB	1" Eyeball Opening (<i>bagged</i>)	White	10.55 lbs.	100 (indiv.)	5.56
400-1411EB	1" Eyeball Opening (<i>bagged</i>)	Black	10.55 lbs.	100 (indiv.)	6.10
400-1417EB	1" Eyeball Opening (<i>bagged</i>)	Gray	10.55 lbs.	100 (indiv.)	6.10
400-1410E	1" Eyeball Opening	White	11.77 lbs.	125 (bulk)	4.85
400-1411E	1" Eyeball Opening	Black	11.77 lbs.	125 (bulk)	5.38
400-1417E	1" Eyeball Opening	Gray	11.77 lbs.	125 (bulk)	5.38
400-1419E-DK	1" Eyeball Opening	Dark Gray	11.77 lbs.	125 (bulk)	5.38
400-1419E-BEI	1" Eyeball Opening	Beige	11.77 lbs.	125 (bulk)	5.38
400-1419E-DKB	1" Eyeball Opening	Dark Blue	11.77 lbs.	125 (bulk)	6.32
400-1410FB	1" 90° Return Eye (<i>bagged</i>)	White	12 lbs.	125 (indiv.)	5.56
400-1410F	1" 90° Return Eye	White	9.05 lbs.	70 (bulk)	4.93



Fittings / Insert Inlet Eyeball Fitting & In-Floor Return



400-1420E

Available in:

- White
- Gray
- Dark Gray
- Black

Insert Inlet Eyeball Fittings - 1 1/2"

Part No.	Description	Color	Case Weight	Case Quantity	List (US \$)
400-1420DB	3/4" Eyeball Opening (<i>bagged</i>)	White	8 lbs.	75 (indiv.)	8.65
400-1420EB	1" Eyeball Opening (<i>bagged</i>)	White	7.7 lbs.	75 (indiv.)	8.65
400-1420D	3/4" Eyeball Opening	White	8.29 lbs.	75 (bulk)	7.97
400-1421D	3/4" Eyeball Opening	Black	8.29 lbs.	75 (bulk)	8.83
400-1427D	3/4" Eyeball Opening	Gray	8.29 lbs.	75 (bulk)	8.83
400-1429D-DK	3/4" Eyeball Opening	Dark Gray	8.14 lbs.	75 (bulk)	9.51
400-1420E	1" Eyeball Opening	White	8.36 lbs.	75 (bulk)	7.97
400-1421E	1" Eyeball Opening	Black	8.12 lbs.	75 (bulk)	8.83
400-1427E	1" Eyeball Opening	Gray	7.85 lbs.	75 (bulk)	8.83
400-1429E-DK	1" Eyeball Opening	Dark Gray	8.12 lbs.	75 (bulk)	8.83
400-1420A	Slotted Opening	White	8 lbs.	75 (bulk)	8.65
400-1427A	Slotted Opening	Gray	8 lbs.	75 (bulk)	9.51
400-1429A-DK	Slotted Opening	Dark Gray	8 lbs.	75 (bulk)	9.51



640-9000

Features:

- Comes with 2" Socket and 1 1/2" Reducer Fitting

In-Floor Return

Part No.	Description	Color	List (US \$)
640-9000	Floor Return	White	35.97
640-9007	Floor Return	Gray	35.97



Fittings / Fiberglass Wall Fitting / Aerators / Vac Lock Fitting



400-8300



400-8310



400-8320



400-9470

Fiberglass Wall Fitting - Deep Socket

Part No.	Description	List (US \$)
400-8300	Fiberglass Wall Fitting, Deep Socket Adapter - HWD Version	8.39
400-8310	Fiberglass Wall Fitting with Eyeball, Deep Socket Adapter - HA Version	13.47
400-8320	Gasket Kit (can work with either kit)	3.02
400-9470	1 Pc Fiberglass Wall Fitting LG Third with Eyeball	12.13



217-0060

FRONT



BACK



715-1910

Aerators

Part No.	Color	Dimensions	Case Quantity	List (US \$)
715-1910	White	ø 1.62" W x 1.25" H	120 (bulk)	8.59
715-1911	Black	ø 1.62" W x 1.25" H	120 (bulk)	10.49
715-1917	Gray	ø 1.62" W x 1.25" H	120 (bulk)	10.49
217-0060	White	¾" Aerator Spray Nozzle	200	5.04



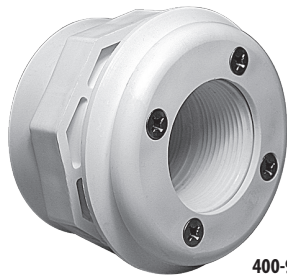
600-2201

Vac Lock Fittings

Part No.	Description	Color	Case Weight	Case Quantity	List (US \$)
600-2200	Vac Lock Fitting - 1 ½" MPT	White	9.57 lbs.	70	46.59
600-2201	Vac Lock Fitting - 1 ½" MPT	Black	9.57 lbs.	70	46.59
600-2207	Vac Lock Fitting - 1 ½" MPT	Gray	9.57 lbs.	70	46.59
600-2209-DKG	Vac Lock Fitting - 1 ½" MPT	Dark Gray	9.57 lbs.	70	46.59
600-2209-BEI	Vac Lock Fitting - 1 ½" MPT	Beige	9.57 lbs.	70	46.59



Fittings / Vinyl Liner Fittings & Vinyl Wall Fitting



400-9160B



218-1430



218-1440

In-Ground Pool Vinyl Liner Return Fittings

Part No.	Description	Color	Case Weight	Case Quantity	List (US \$)
400-9160B	Steel Wall Fitting Assembly with Combo Spacer/Locknut 1 1/2" FPT x 1 1/2" FPT	White	16 lbs.	25 (indiv.)	18.39
400-9161B	Steel Wall Fitting Assembly with Combo Spacer/Locknut 1 1/2" FPT x 1 1/2" FPT	Black	16 lbs.	25 (indiv.)	18.39
400-9167B	Steel Wall Fitting Assembly with Combo Spacer/Locknut 1 1/2" FPT x 1 1/2" FPT	Gray	16 lbs.	25 (indiv.)	18.39
400-9060B	Steel Wall Fitting Assembly with Combo Spacer/Locknut 1 1/2" FPT x 1 1/2" Socket	White	17.91 lbs.	25 (indiv.)	18.39
400-9061B	Steel Wall Fitting Assembly with Combo Spacer/Locknut 1 1/2" FPT x 1 1/2" Socket	Black	17.91 lbs.	25 (indiv.)	18.39
400-9067B	Steel Wall Fitting Assembly with Combo Spacer/Locknut 1 1/2" FPT x 1 1/2" Socket	Gray	17.91 lbs.	25 (indiv.)	18.39
218-1430	Faceplate For Steel Wall Vinyl Liner Wall Fitting with Fitting Assembly	White	26.75	300	7.81
218-1431	Faceplate For Steel Wall Vinyl Liner Wall Fitting with Fitting Assembly	Black	26.75	300	7.81
218-1437	Faceplate For Steel Wall Vinyl Liner Wall Fitting with Fitting Assembly	Gray	26.75	300	7.81
218-1440	Wall Fitting Escutcheon	White	5.70 lbs.	200 (bulk)	3.13
218-1441	Wall Fitting Escutcheon	Black	5.70 lbs.	200 (bulk)	3.83
218-1447	Wall Fitting Escutcheon	Gray	5.70 lbs.	200 (bulk)	3.83
218-1449-DKG	Wall Fitting Escutcheon	Dark Gray	5.70 lbs.	200 (bulk)	3.83
218-1449-BEI	Wall Fitting Escutcheon	Beige	5.70 lbs.	200 (bulk)	3.83
218-1449-DKB	Wall Fitting Escutcheon	Dark Blue	5.70 lbs.	200 (bulk)	4.97
400-7390	V/L Return W/F 1 1/2" FPT x 2 3/4" Lngt W/F Combo Nut	White	21.40 lbs	25 (indiv.)	22.06



550-9340



550-9330

Above-Ground Pool Vinyl Liner Return Fittings

Part No.	Description	Color	Case Weight	Case Quantity	List (US \$)
550-9340	Deluxe Return Fitting Assembly 1" Eyeball	White	13.55 lbs.	30 (bulk)	19.44
550-9347	Deluxe Return Fitting Assembly 1" Eyeball	Gray	13.55 lbs.	30 (bulk)	19.44
550-9330	Deluxe Return Fitting Assembly 3/4" Eyeball	White	35.15 lbs.	80 (bulk)	19.44
550-9337	Deluxe Return Fitting Assembly 3/4" Eyeball	Gray	35.15 lbs.	80 (bulk)	19.44



400-9010B

In-Ground Pool Vinyl Wall Fitting - Concrete Poured Wall

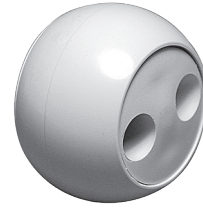
Part No.	Description	Color	Case Wt.	Case Qty.	List (US \$)
400-9010B	Concrete Poured Wall 1 1/2" FPT x 1 1/4" Socket	White	12.31 lbs.	25	16.75



Fittings / Rotating Eyeball Fittings



400-1360



400-1300

Rotating Eyeball Fittings

Part No.	Description	Color	Case Weight	Case Quantity	List (US \$)
400-1360	Pulsator Eyeball Fitting 1 1/2" Insert Inlet	White	32.91 lbs.	80	30.33
400-1300	Pulsator Eyeball Assembly	White	5.52 lbs.	75 (indiv.)	30.36

FEATURES:

- Replaces directional eyeball fittings in spas
- Great For Therapy Massage Action!
- The Pulsator fits these wall fittings:
215-9150, 215-9170, 400-9190, 400-9160B



212-9170

Spa Rotating Therapy Massage Fittings

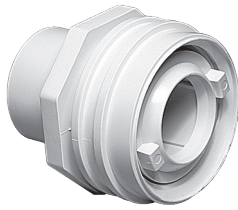
Part No.	Description	Color	Case Weight	Case Quantity	List (US \$)
212-9170	Pulsator - 1 1/2" MPT (fits 1 1/2" FPT wall fittings)	White	4.32 lbs.	50	32.08
212-9171	Pulsator - 1 1/2" MPT (fits 1 1/2" FPT wall fittings)	Black	4.32 lbs.	50	32.08
212-9177	Pulsator - 1 1/2" MPT (fits 1 1/2" FPT wall fittings)	Gray	4.32 lbs.	50	32.08
212-9179-BEI	Pulsator - 1 1/2" MPT (fits 1 1/2" FPT wall fittings)	Beige	4.32 lbs.	50	32.08
212-9179-DKG	Pulsator - 1 1/2" MPT (fits 1 1/2" FPT wall fittings)	Dark Gray	4.32 lbs.	50	32.08
210-3247	10 GPM Hand-Held Jet with Stainless Steel Trim - 1 1/2" MPT (fits 1 1/2" FPT)	Gray	11.07 lbs.	5	87.90



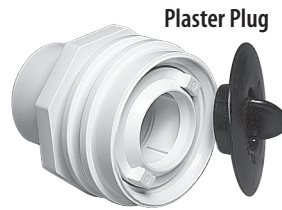
Fittings / Return Fittings



400-9180

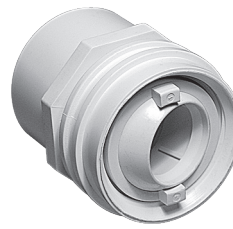


400-9190



400-9190P

Plaster Plug



400-9390



550-9230

Return Fittings

Part No.	Description	Color	Case Weight	Case Quantity	List (US \$)
400-9180	Econ 1" Return Fitting Insider Inlet (<i>fits inside 1" pipe</i>)	White	7.23 lbs.	100	7.11
400-9181	Econ 1" Return Fitting Insider Inlet (<i>fits inside 1" pipe</i>)	Black	7.23 lbs.	100	7.11
400-9187	Econ 1" Return Fitting Insider Inlet (<i>fits inside 1" pipe</i>)	Gray	7.23 lbs.	100	7.11
400-9189-DKG	Econ 1" Return Fitting Insider Inlet (<i>fits inside 1" pipe</i>)	Dark Gray	7.23 lbs.	100	7.11
400-9190	Flush Mount Return Fitting 1" Socket (<i>fits inside 1 1/2" pipe</i>)	White	16.13 lbs.	100 (bulk)	14.01
400-9191	Flush Mount Return Fitting 1" Socket (<i>fits inside 1 1/2" pipe</i>)	Black	16.13 lbs.	100 (bulk)	14.01
400-9197	Flush Mount Return Fitting 1" Socket (<i>fits inside 1 1/2" pipe</i>)	Gray	16.13 lbs.	100 (bulk)	14.01
400-9199-DKG	Flush Mount Return Fitting 1" Socket (<i>fits inside 1 1/2" pipe</i>)	Dark Gray	16.13 lbs.	100 (bulk)	14.01
400-9199-BEI	Flush Mount Return Fitting 1" Socket (<i>fits inside 1 1/2" pipe</i>)	Beige	16.13 lbs.	100 (bulk)	14.01
400-9190P	Flush Mount Return Fitting with Plaster Plug 1" Socket (<i>fits inside 1 1/2" pipe</i>)	White	27 lbs.	220 (bulk)	14.60
400-9191P	Flush Mount Return Fitting with Plaster Plug 1" Socket (<i>fits inside 1 1/2" pipe</i>)	Black	27 lbs.	220 (bulk)	14.60
400-9197P	Flush Mount Return Fitting with Plaster Plug 1" Socket (<i>fits inside 1 1/2" pipe</i>)	Gray	27 lbs.	220 (bulk)	14.60
400-9199P-DK	Flush Mount Return Fitting with Plaster Plug 1" Socket (<i>fits inside 1 1/2" pipe</i>)	Dark Gray	27 lbs.	220 (bulk)	14.60
400-9390	Flush Mount Return Fitting 1 1/2" Socket	White	38.95 lbs.	190	14.01
400-9397	Flush Mount Return Fitting 1 1/2" Socket	Gray	38.95 lbs.	190	14.01
400-9390P	Flush Mount Return Fitting with Plaster Plug 1 1/2" Socket	White	43.68 lbs.	180	14.54
400-9397P	Flush Mount Return Fitting with Plaster Plug 1 1/2" Socket	Gray	43.68 lbs.	180	14.54
550-9230	Self-Aligning Return Fitting 3/4" Eye (<i>fits inside 1 1/2" pipe</i>)	White	6.42 lbs.	100 (indiv.)	8.94
550-9231	Self-Aligning Return Fitting 3/4" Eye (<i>fits inside 1 1/2" pipe</i>)	Black	6.42 lbs.	100 (indiv.)	8.94
550-9237	Self-Aligning Return Fitting 3/4" Eye (<i>fits inside 1 1/2" pipe</i>)	Gray	6.42 lbs.	100 (indiv.)	8.94
550-9239-DKG	Self-Aligning Return Fitting 3/4" Eye (<i>fits inside 1 1/2" pipe</i>)	Dark Gray	6.42 lbs.	100 (indiv.)	8.94
550-9240	Self-Aligning Return Fitting 1" Eye (<i>fits inside 1 1/2" pipe</i>)	White	8 lbs.	100 (bulk)	8.94
550-9247	Self-Aligning Return Fitting 1" Eye (<i>fits inside 1 1/2" pipe</i>)	Gray	8 lbs.	100 (bulk)	8.94
550-9249-DKG	Self-Aligning Return Fitting 1" Eye (<i>fits inside 1 1/2" pipe</i>)	Dark Gray	8 lbs.	100 (bulk)	8.94