

Thread-in Gunitite Jets



Power Storm

Quality.
Innovation.
Confidence.

Waterway

Style	Size	Directional	Multi-Massage	Galaxy	Rifle	Roto	Twin Roto	Twister	Massage
Smooth	5"	229-6640G	229-7500G	NA	229-1950G	229-6630G	229-6610G	NA	229-6650G
Smooth SS	5"	229-7630SG	229-7500SG	NA	229-1950SG	229-7600SG	229-7610SG	NA	229-7740SG
LF Smooth SS	5 1/2"	229-7300SG	229-7330SG	NA	NA	229-7310SG	229-7320SG	NA	229-7360SG
XL Smooth SS	6 1/2"	229-7370SG	229-7450SG	NA	NA	229-7380SG	229-7390SG	NA	229-7480SG
5-Scallop	5"	229-7630G	229-7510G	NA	229-1960G	229-7600G	229-7610G	NA	229-7740G
5-Scallop SS	5"	229-5610SG	229-5690SG	NA	NA	229-5630SG	229-5640SG	NA	229-5650SG
6-Spoke	5 1/4"	229-7570SG	229-7250SG	NA	229-1980SG	229-7550SG	229-7560SG	229-7700SG	229-7590SG
Revo	5 1/4"	229-7120SG	229-7090SG	NA	229-1970SG	229-7140SG	229-7150SG	229-7690SG	229-7160SG
Swirl	5 1/4"	229-6340SG	229-6170SG	NA	229-1990SG	229-6380SG	229-6360SG	229-7680SG	229-6350SG
Reverse Swirl	5 1/4"	229-2600SG	229-2690SG	NA	229-2620SG	229-2630SG	229-2640SG	229-2790SG	229-2650SG
Nova	5 1/4"	229-9410SG	229-9400SG	NA	229-9480SG	229-9420SG	229-9430SG	229-9450SG	229-9460SG



NEW! Thread-in
design for secure
engagement.

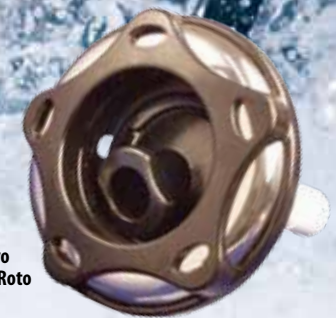
Part Number shown indicate White. Poly Storm Jets are also available in colors listed at right. Replace the final digit of the Part No. with the Number Code listed to indicate color choice, or call your Waterway Sales Rep for more information.

White	XXX0
Black	XXX1
Gray	XXX7
Beige	XXX9-BEI
DSG/Black	XXX9DSG-1
DSG/Gray	XXX9DSG-7

Thread-in Guniting Jets **STYLE GUIDE**



Style: 5-Scallop
Internal: Galaxy



Style: Revo
Internal: Roto



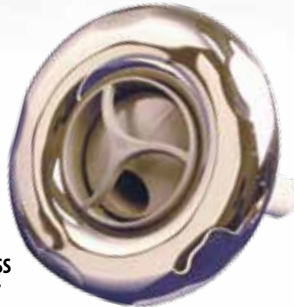
Style: 6-Spoke LF
(Large Face)
Internal: Massage



Style: Swirl
Internal: Twin Roto



Style: Smooth
Internal: Multi Massage



Style: 5-Scallop SS
Internal: Twister



Style: Smooth
Internal: Directional

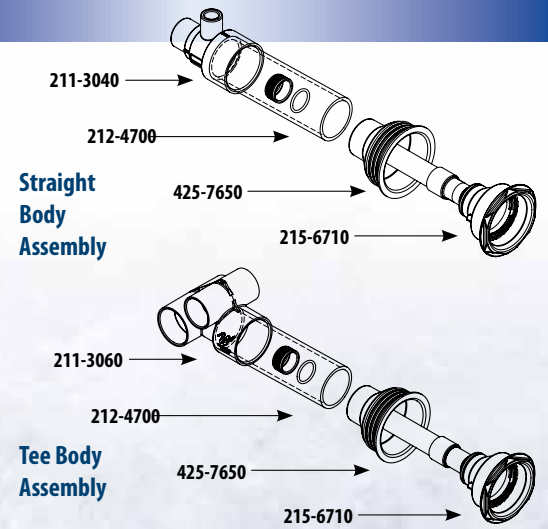


Style: 6-Spoke
Internal: Rifle

Power Storm Thread-In Guniting Body Assemblies

Description	White	Black	Gray
Straight Body Assembly - 1" Spigot Air x 1 1/2" Spigot Water	229-1200	NA	NA
Tee Body Assembly - 1 1/2" S Air x 2" S Water	229-1210	NA	NA
Straight Body Only	211-3040	NA	NA
Tee Body Only	211-3060	NA	NA
Threaded Retainer Ring with O-Ring	212-4700	NA	NA
Plaster Niche	218-7650	218-7651	218-7657
Wall Fitting	215-6710	NA	NA

* 1" and 2 1/2" pipe not included



2200 East Sturgis Road, Oxnard CA 93030 • Ph. 805.981.0262 • Fax 805.981.9403
waterway@waterwayplastics.com • www.waterwayplastics.com



© 2012 Waterway Plastics

807-1026.0312