

# Thread-in Gunitite Jets



## Mini Storm

Quality.  
Innovation.  
Confidence.  
**Waterway**

Style	Size	Directional	Multi-Massage	Galaxy	Rifle	Roto	Twin Roto	Twister	Massage
Smooth	3"	229-7900	229-8380	229-8350	NA	229-7910	229-7940	NA	229-7810
Smooth SS	3"	229-7920S	229-8370S	229-8330S	NA	229-7930S	229-7950S	NA	229-7800S
LF Smooth SS	3 5/16"	229-0090S	229-8390S	229-8310S	NA	229-7830S	229-7840S	NA	229-7850S
5-Scallop	3"	229-7920	229-0070	229-0050	229-0160	229-0020	229-7950	229-9500	229-0030
LF 5-Scallop	3 5/16"	229-0010	229-0080	229-0060	NA	229-0310	229-7840	NA	229-0040
5-Scallop SS	3"	229-5410S	229-5480S	229-5450S	NA	229-5420S	229-5430S	229-9500S	229-5440S
6-Spoke	3 5/16"	229-8630S	229-8700S	229-8670S	229-0180S	229-8640S	229-8650S	229-9520S	229-8660S
Revo	3 5/16"	229-8790S	229-9020S	229-8880S	229-0170S	229-8850S	229-8860S	229-9510S	229-8870S
Swirl	3 5/16"	229-8440S	229-9040S	229-9050S	229-0190S	229-0320S	229-8450S	229-9530S	229-0330S
Reverse Swirl	3 5/16"	229-2400S	229-2480S	229-2450S	229-2410S	229-2420S	229-2430S	229-2940S	229-2440S



**NEW!** Thread-in  
design for secure  
engagement.

Part Number shown indicate White. Poly Storm Jets are also available in colors listed at right. Replace the final digit of the Part No. with the Number Code listed to indicate color choice, or call your Waterway Sales Rep for more information.

White	XXX0
Black	XXX1
Gray	XXX7
Beige	XXX9-BEI
DSG/Black	XXX9DSG-1
DSG/Gray	XXX9DSG-7

# Thread-in Gunite Jets **STYLE GUIDE**



Style: 6-Spoke LF  
(Large Face)  
Internal: Massage



Style: 5-Scallop  
Internal: Galaxy



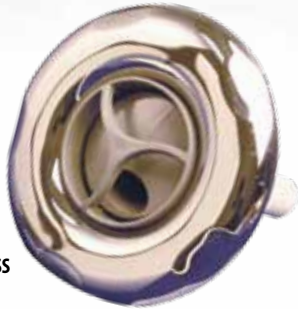
Style: Revo  
Internal: Roto



Style: Swirl  
Internal: Twin Roto



Style: Smooth  
Internal: Multi Massage



Style: 5-Scallop SS  
Internal: Twister



Style: Smooth  
Internal: Directional

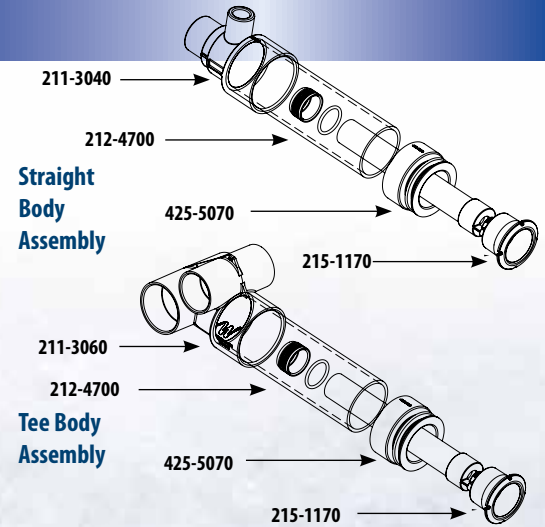


Style: 6-Spoke  
Internal: Rifle

## Mini Storm Thread-In Gunite Body Assemblies

Description	White	Black	Gray
Straight Body Assembly - 1" Spigot Air x 1 1/2" Spigot Water - Niche	229-1000	229-1001	229-1007
Tee Body Assembly - 1 1/2" S Air x 2" S Water - Threaded Ring and Niche	229-1010	229-1011	229-1017
Straight Body Only	211-3040	NA	NA
Tee Body Only	211-3050	NA	NA
Threaded Retainer Ring with O-Ring	212-4700	NA	NA
Mini Gunite Jet Niche Adapter	425-5070	425-5071	425-5077
Wall Fitting	215-1170	215-1171	215-1177

\* 1" and 2 1/2" pipe not included



807-1025.0312

2200 East Sturgis Road, Oxnard CA 93030 • Ph. 805.981.0262 • Fax 805.981.9403  
waterway@waterwayplastics.com • www.waterwayplastics.com

Made in the USA



© 2012 Waterway Plastics