

# Thread-in Gunitite Jets



**Quality.  
Innovation.  
Confidence.**

*New Thread-in  
design for secure  
engagement.*

**Waterway**<sup>™</sup>

Designed,  
Engineered &  
Manufactured  
in the USA



# Thread-in Gunitite Jets

*More choices.  
Easier to use.  
Secure engagement.*



## Mini Storm

Style	Size	Directional	Multi-Massage	Galaxy	Rifle	Roto	Twin Roto	Twister	Massage
Smooth	3"	229-7900	229-8380	229-8350	NA	229-7910	229-7940	NA	229-7810
Smooth SS	3"	229-7920S	229-8370S	229-8330S	NA	229-7930S	229-7950S	NA	229-7800S
LF Smooth SS	3 5/16"	229-0090S	229-8390S	229-8310S	NA	229-7830S	229-7840S	NA	229-7850S
5-Scallop	3"	229-7920	229-0070	229-0050	229-0160	229-0020	229-7950	229-9500	229-0030
LF 5-Scallop	3 5/16"	229-0010	229-0080	229-0060	NA	229-0310	229-7840	NA	229-0040
5-Scallop SS	3"	229-5410S	229-5480S	229-5450S	NA	229-5420S	229-5430S	229-9500S	229-5440S
6-Spoke	3 5/16"	229-8630S	229-8700S	229-8670S	229-0180S	229-8640S	229-8650S	229-9520S	229-8660S
Revo	3 5/16"	229-8790S	229-9020S	229-8880S	229-0170S	229-8850S	229-8860S	229-9510S	229-8870S
Swirl	3 5/16"	229-8440S	229-9040S	229-9050S	229-0190S	229-0320S	229-8450S	229-9530S	229-0330S
Reverse Swirl	3 5/16"	229-2400S	229-2480S	229-2450S	229-2410S	229-2420S	229-2430S	229-2940S	229-2440S
Nova	3 5/16"	229-9100S	229-9140S	229-9170S	229-9180S	229-9150S	229-9130S	229-9190S	229-9160S



Part Number shown indicate White. Mini Storm Jets are also available in colors listed at right. Replace the final digit of the Part No. with the Number Code listed to indicate color choice, or call your Waterway Sales Rep for more information.

White	XXX0
Black	XXX1
Gray	XXX7
Beige	XXX9-BEI
DSG/Black	XXX9DSG-1
DSG/Gray	XXX9DSG-7

# Poly Storm

Style	Size	Directional	Multi-Massage	Galaxy	Rifle	Roto	Twin Roto	Twister	Massage
Smooth	3 3/8"	229-8040	229-8280	229-8180	NA	229-8000	229-8130	N/A	229-8020
Smooth SS	3 3/8"	229-8050S	229-8270S	229-8190S	N/A	229-8010S	229-8120S	N/A	229-8030S
LF Smooth SS	4"	229-8160S	229-8290S	229-8060S	N/A	229-8140S	229-8170S	N/A	229-8150S
5-Scallop	3 3/8"	229-8050	229-8270	229-8190	N/A	229-8010	229-8120	229-9600	229-8030
LF 5-Scallop	4"	229-8160	229-8290	229-8060	N/A	229-8140	229-8170	N/A	229-8150
LF 5-Scallop SS	4"	229-5510S	229-5580S	229-5550S	N/A	229-5520S	229-5530S	229-9600S	229-5540S
6-Spoke	3 5/8"	229-8590S	229-3240S	229-3210S	229-1930S	229-8570S	229-8580S	229-9620S	229-3200S
Revo	3 5/8"	229-3250S	229-3620S	229-3290S	229-1920S	229-3260S	229-3270S	229-9610S	229-3280S
Swirl	4 3/8"	229-4020S	229-4090S	229-4060S	229-1940S	229-4030S	229-4040S	229-9630S	229-4050S
LF Swirl	3 5/8"	229-0440S	229-0480S	229-0470S	229-0610S	229-0450S	229-0460S	229-0410S	229-0620S
Reverse Swirl	4 3/8"	229-2800S	229-2880S	229-2850S	229-2810S	229-2820S	229-2830S	229-2950S	229-2840S
LF Reverse Swirl	3 5/8"	229-2500S	229-2580S	229-2550S	229-2510S	229-2520S	229-2530S	229-2960S	229-2540S
Nova	3 5/8"	229-9200S	229-9260S	229-9240S	229-9280S	229-9210S	229-9220S	229-9290S	229-9230S
LF Nova	4 3/8"	229-9300S	229-9350S	229-9340S	229-9370S	229-9310S	229-9330S	229-9380S	229-9640S



Part Number shown indicate White. Poly Storm Jets are also available in colors listed at right. Replace the final digit of the Part No. with the Number Code listed to indicate color choice, or call your Waterway Sales Rep for more information.

White	XXX0
Black	XXX1
Gray	XXX7
Beige	XXX9-BEI
DSG/Black	XXX9DSG-1
DSG/Gray	XXX9DSG-7



# Power Storm

Style	Size	Directional	Multi-Massage	Galaxy	Rifle	Roto	Twin Roto	Twister	Massage
Smooth	5"	229-6640G	229-7500G	NA	229-1950G	229-6630G	229-6610G	NA	229-6650G
Smooth SS	5"	229-7630SG	229-7500SG	NA	229-1950SG	229-7600SG	229-7610SG	NA	229-7740SG
LF Smooth SS	5 1/2"	229-7300SG	229-7330SG	NA	NA	229-7310SG	229-7320SG	NA	229-7360SG
XL Smooth SS	6 1/2"	229-7370SG	229-7450SG	NA	NA	229-7380SG	229-7390SG	NA	229-7480SG
5-Scallop	5"	229-7630G	229-7510G	NA	229-1960G	229-7600G	229-7610G	NA	229-7740G
5-Scallop SS	5"	229-5610SG	229-5690SG	NA	NA	229-5630SG	229-5640SG	NA	229-5650SG
6-Spoke	5 1/4"	229-7570SG	229-7250SG	NA	229-1980SG	229-7550SG	229-7560SG	229-7700SG	229-7590SG
Revo	5 1/4"	229-7120SG	229-7090SG	NA	229-1970SG	229-7140SG	229-7150SG	229-7690SG	229-7160SG
Swirl	5 1/4"	229-6340SG	229-6170SG	NA	229-1990SG	229-6380SG	229-6360SG	229-7680SG	229-6350SG
Reverse Swirl	5 1/4"	229-2600SG	229-2690SG	NA	229-2620SG	229-2630SG	229-2640SG	229-2790SG	229-2650SG
Nova	5 1/4"	229-9410SG	229-9400SG	NA	229-9480SG	229-9420SG	229-9430SG	229-9450SG	229-9460SG



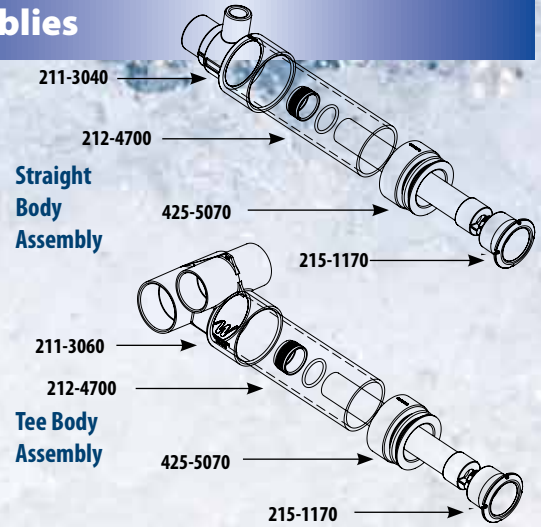
Part Number shown indicate White. Power Storm Jets are also available in colors listed at right. Replace the final digit of the Part No. with the Number Code listed to indicate color choice, or call your Waterway Sales Rep for more information.

White	XXX0
Black	XXX1
Gray	XXX7
Beige	XXX9-BEI
DSG/Black	XXX9DSG-1
DSG/Gray	XXX9DSG-7

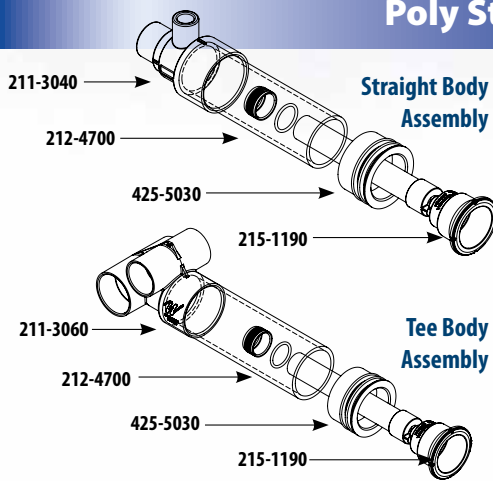
## Mini Storm Thread-In Gunite Body Assemblies

Description	White	Black	Gray
Straight Body Assembly - 1" Spigot Air x 1 1/2" Spigot Water - Niche	229-1000	229-1001	229-1007
Tee Body Assembly - 1 1/2" S Air x 2" S Water - Threaded Ring and Niche	229-1010	229-1011	229-1017
Straight Body Only	211-3040	NA	NA
Tee Body Only	211-3050	NA	NA
Threaded Retainer Ring with O-Ring	212-4700	NA	NA
Mini Gunite Jet Niche Adapter	425-5070	425-5071	425-5077
Wall Fitting	215-1170	215-1171	215-1177

\* 1" and 2 1/2" pipe not included



## Poly Storm Thread-In Gunite Body Assemblies



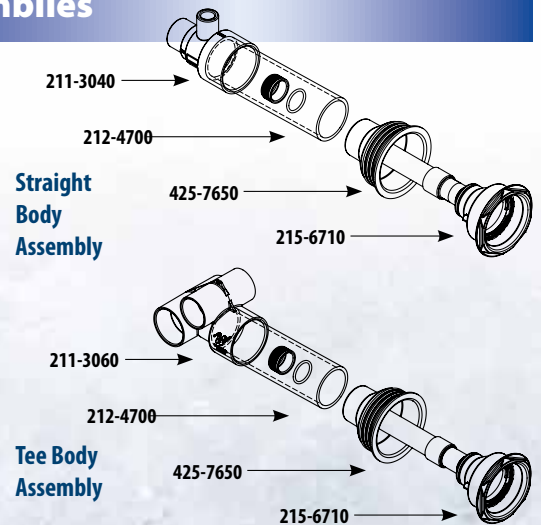
Description	White	Black	Gray
Straight Body Assembly - 1" Spigot Air x 1 1/2" Spigot Water - Niche	229-1100	229-1101	229-1107
Tee Body Assembly - 1 1/2" S Air x 2" S Water - Threaded Ring and Niche	229-1110	229-1111	229-1117
Straight Body Only	211-3040	NA	NA
Tee Body Only	211-3060	NA	NA
Threaded Retainer Ring with O-Ring	212-4700	NA	NA
Poly Gunite Jet Niche Adapter	425-5030	NA	NA
Wall Fitting	215-1190	215-1191	215-1197

\* 1" and 2 1/2" pipe not included

## Power Storm Thread-In Gunite Body Assemblies

Description	White	Black	Gray
Straight Body Assembly - 1" Spigot Air x 1 1/2" Spigot Water	229-1200	NA	NA
Tee Body Assembly - 1 1/2" S Air x 2" S Water	229-1210	NA	NA
Straight Body Only	211-3040	NA	NA
Tee Body Only	211-3060	NA	NA
Threaded Retainer Ring with O-Ring	212-4700	NA	NA
Plaster Niche	218-7650	218-7651	218-7657
Wall Fitting	215-6710	NA	NA

\* 1" and 2 1/2" pipe not included



# Waterway



2200 East Sturgis Road, Oxnard CA 93030 • Ph. 805.981.0262 • Fax 805.981.9403  
 waterway@waterwayplastics.com • www.waterwayplastics.com

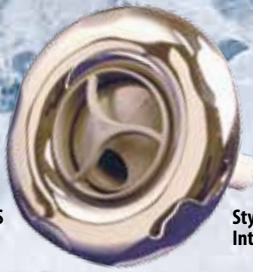
Made in  
the USA



# Thread-in Gunite Jets

## Style Guide

Style: 5-Scallop SS  
Internal: Twister



Style: Smooth  
Internal: Directional



Style: 6-Spoke  
Internal: Rifle



Style: 5-Scallop  
Internal: Galaxy



Style: Revo  
Internal: Roto



Style: 6-Spoke LF  
(Large Face)  
Internal: Massage



Style: Swirl  
Internal: Twin Roto



Style: Smooth  
Internal: Multi Massage



### Accessories



218-1960

Measuring Tool (sold separately)



229-7757G

Power Storm Thread-in  
Hand-held Jet

### 3-Jet Manifold - Power Seat

**NEW!**



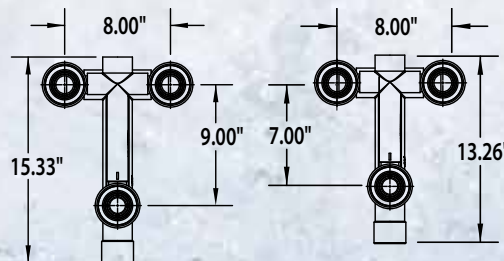
210-3420G

**7"  
Standard Seat Gunite  
3-Jet Manifold**



210-3410G  
Pat. Pend.

**9"  
Deep Seat Gunite  
3-Jet Manifold**



### FEATURES:

- Pre-Plumbed Air and Water Connections
- Single connection for water & air
  - 2" Spigot fitting for water
  - 1 1/2" S fitting for air
- All three jet bodies accommodate Waterway's popular PolyStorm Gunite or PowerStorm Gunite jets
- Saves time and money