

Introducing Waterway's **NEW Power Stream Swim Jet...**
with a range of added features to improve performance
and ease of installation!

POWER **Stream** **Swim Jet**

FEATURES:

- Through-wall jet installation
- 2" input for optimum performance
- 1" and 1.5" equiv. nozzle sizes
- Nozzles can easily be exchanged
- Sixteen Entraining ports for improved performance
- Four Glo ports for LED lighting
- ... *and Made in America!*



part #	description
210-0828S	Power Stream Swim Jet 1 3/8" Nozzle with Clear/Metal
210-0838S	Power Stream Swim Jet 1" Nozzle with Clear/Metal
672-9540	Distributor Manifold 2.5" Slip X (3) 2"Slips
672-8050	Wye Manifold 2.5" Slip X 2.5" Slip X 2.5" Slip



Waterway's two and three port distributor manifolds allows for easy plumbing of 4, 5 and 6 jet swim systems.

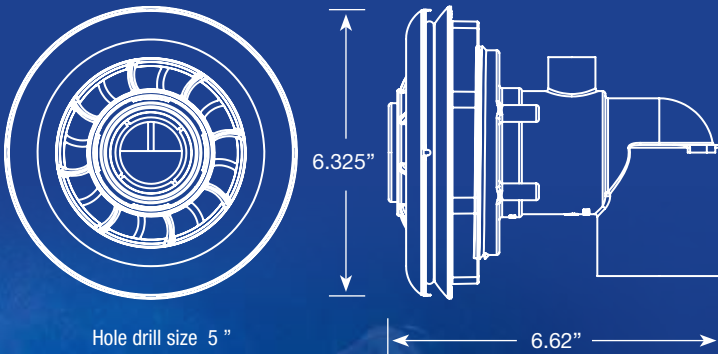
Waterway

Designed, Engineered &
Manufactured in the USA.

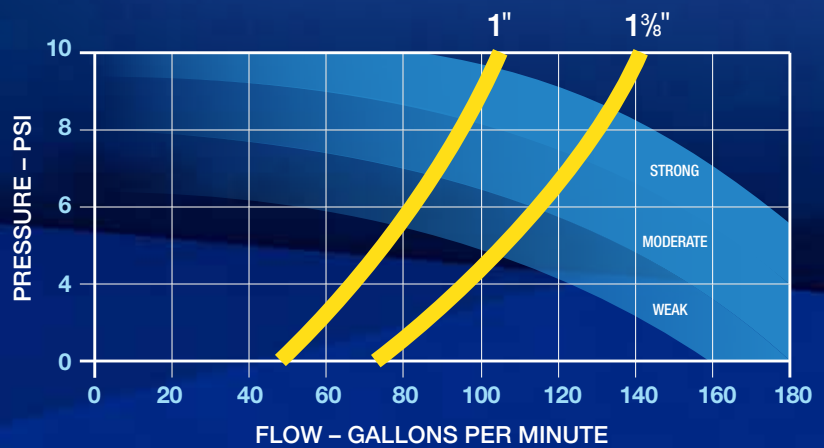


POWER Stream Swim Jet

The Power Stream Swim Jets allow for easy installation of a variety of different swim configurations. Shown is one example of a five jet swim system plumbed for a two pump system.



POWER STREAM JET FLOW CURVE



Waterway



Designed, Engineered & Manufactured in the USA.



2200 E. Sturgis Rd., Oxnard CA 93030 • Phone 805.981.0262 • Fax 805.981.9403
waterway@waterwayplastics.com • www.waterwayplastics.com