

NOW AVAILABLE in a Popular NEW Color... MOCHA COFFEE!

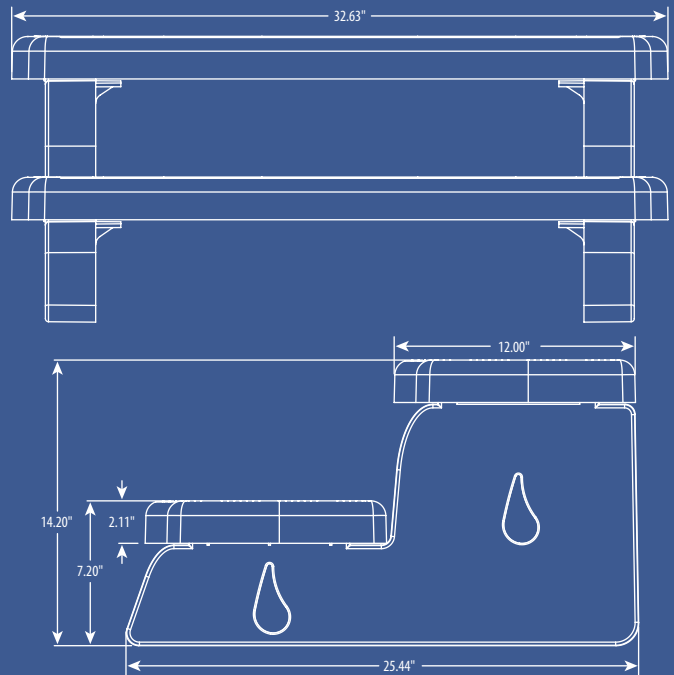
Spa Steps

FEATURES:

- Easy, snap together parts for quick assembly
- Packaged for retail sale
- 33" non-slip treads
- Made of durable UV protected polypropylene
- 800 lbs. weight capacity

AVAILABLE IN MULTIPLE COLORS

535-2209-RDW	33" Spa Steps - Redwood
535-2209-CIN	33" Spa Steps - Cinnamon
535-2209-BRK	33" Spa Steps - Bark
535-2209-GPH	33" Spa Steps - Graphite
535-2209-CHC	33" Spa Steps - Charcoal
535-2209-CSG	33" Spa Steps - Coastal Gray
535-2209-MOC	33" Spa Steps - Mocha Coffee
535-2300	Color Chip Sample Set



807-0352.1115

2200 E. Sturgis Road, Oxnard CA 93030
 Phone 805.981.0262 • Fax 805.981.9403
waterway@waterwayplastics.com
www.waterwayplastics.com



*Designed,
 Engineered &
 Manufactured
 in the USA.*

©2015 Waterway Plastics