



Ultra Suction Outlet

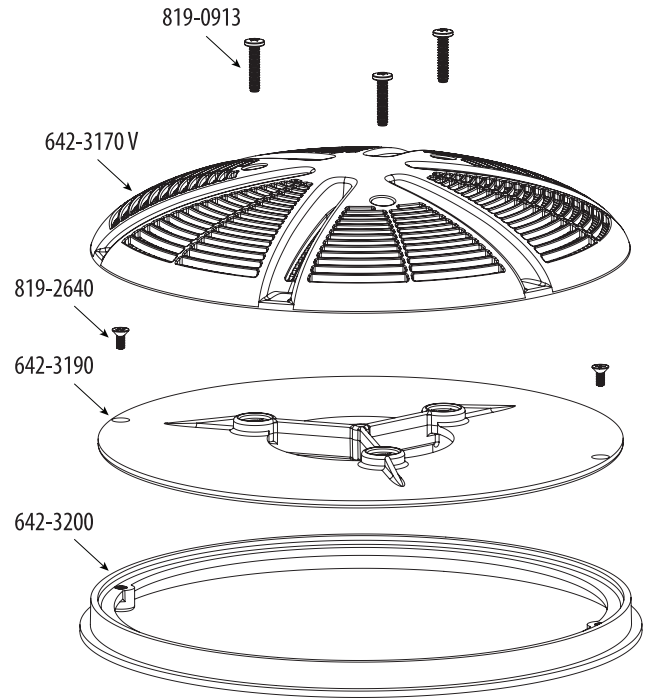
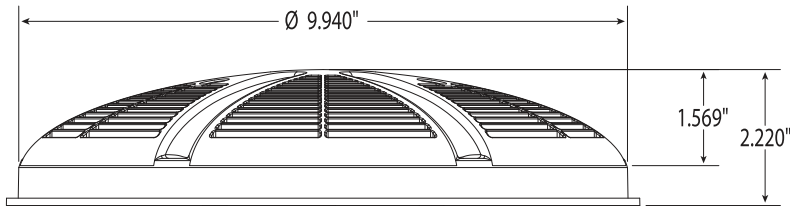
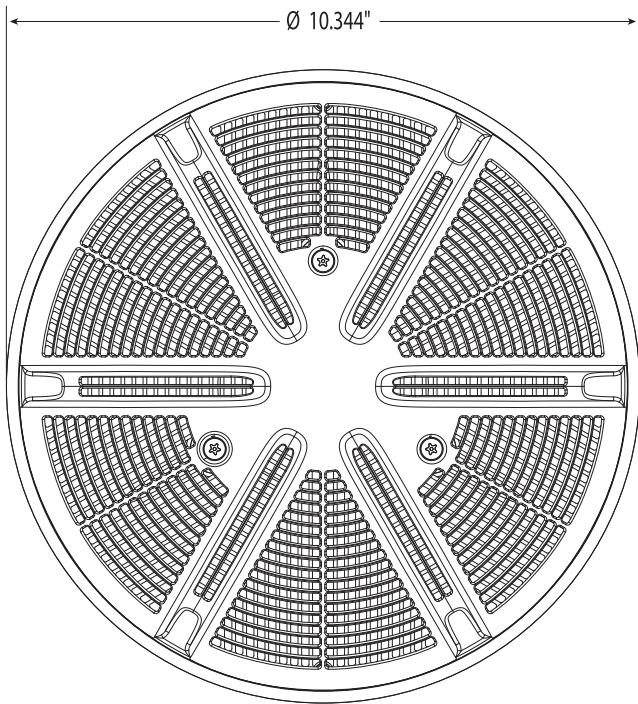
Waterway Ultra Suction Outlets are compliant with the Virginia Graeme-Baker Pool and Spa Safety Act (ASME A112.19.8-2007 and ASME A112.19.8a-2008) and are NSF Certified. They are designed for single or multiple drain use. This suction outlet assembly includes cover, support plate, concrete ring, and stainless steel screws.

The Waterway 640-212x V series Ultra Suction Outlet is available in:

- ☐ White
- Black
- ▣ Gray



Model No.	Description	Size	Total Open Area Square Inches	Floor Flow Rate GPM	Wall Flow Rate GPM	Flow Rate GPM @ 1.5 ft/sec
640-212x V	Ultra Suction Outlet	10"	20.4	224 @ 3.53 ft/sec	192 @ 3.03 ft/sec	95



Part No.	Description
819-0913	#10 x 7/8" Security Screw
642-3170 V	10" Ultra Suction Cover
819-2640	#8-32 x 3/8" Flat Head Phillips Screw
642-3190	Concrete Support Plate
642-3200	Concrete Ring

