



3.75" Ultra Hi-Flo Suction

Waterway suction covers are compliant with the Virginia Graeme-Baker Pool and Spa Safety Act (ASME/ANSI A112.19.8-2007) and are UL Certified. They are designed for single or multiple drain use. This suction assembly includes cover, wall fitting assembly, and stainless steel screws.

The Waterway 640-349x V series suction covers are available in:

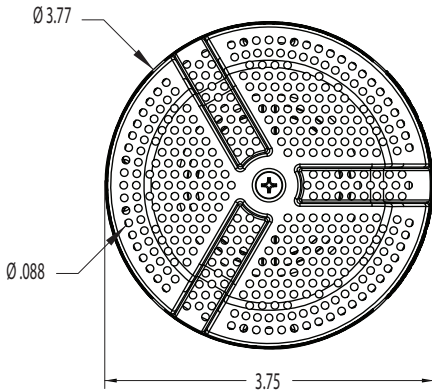
- ☐ White
- Black
- Gray
- Dark Silver Glitter (DSG)
- Sterling Silver (STS)



640-349x V

Patent Pending

Model No.	Description	Size	Total Open Area Square Inches	Floor Flow Rate GPM	Wall Flow Rate GPM	Flow Rate GPM @ 1.5 ft/sec
640-349x V	Tall Assembly	3.75"	6.24	N/A	120 @ 6.19 ft/sec	29



Part No.	Description
642-327x V	Tall Suction Cover
819-0024	Stainless Steel Screw - #10 x 1"
215-3270	1 1/2" Wall Fitting for Tall Suction
711-3250	Gasket
718-3150	Wall Fitting Nut

