

# CLEAR WATER II



## This is **True Spiral Laminar** flow in a D.E. above ground filter.

Spiral Laminar flow ensures even distribution of D.E. for maximum filtration. The **ClearWater II D.E. Filter** features automatic regeneration, ClearWater II's Safety Lock Ring system for safe operation and maintenance, and a three year warranty on its rugged glass-filled polymer body.

### Features:

- True Spiral Laminar flow for even disbursement of D.E.
- Automatic hydraulic regeneration
- High flow rate
- 1 ½" drain port
- Low-profile air relief plug
- Modular grid system for easy maintenance
- Flush-mounted stainless steel pressure gauge
- Automatic air bleed capability
- Heavy-duty lid handle for easy servicing
- Dual Speed pump meets CEC Title 20 Code
- 1 year warranty



**Waterway**

2200 East Sturgis Road, Oxnard CA 93030 • Phone 805.981.0262 • Fax 805.981.9403  
www.waterwayplastics.com • waterway@waterwayplastics.com



Designed,  
Engineered &  
Manufactured in  
the USA.

## ClearWater II D.E. Filter Deluxe System with Supreme 1-Speed or 2-Speed Pump

| Part No.            | Filter | Filtration Area | Flow Rate | Pump       | Speed | Hz  | Volts | Pool Turnover |         |
|---------------------|--------|-----------------|-----------|------------|-------|-----|-------|---------------|---------|
|                     |        |                 |           |            |       |     |       | 6 Hours       | 8 Hours |
| <b>FDS044107-3</b>  | FD12-7 | 12 sq. ft.      | 44 GPM    | PSP2100-3R | 2     | 1.0 | 115   | 15,840        | 21,120  |
| <b>FDS067107-3</b>  | FD18-7 | 18 sq. ft.      | 67 GPM    | PSP2100-3R | 2     | 1.0 | 115   | 24,120        | 32,160  |
| <b>FDS067157-3</b>  | FD18-7 | 18 sq. ft.      | 67 GPM    | PSP2150-3R | 2     | 1.5 | 115   | 24,120        | 32,160  |
| <b>FDS044107-3S</b> | FD12-7 | 12 sq. ft.      | 44 GPM    | PSP1100-3R | 1     | 1.0 | 115   | 15,840        | 21,120  |
| <b>FDS067107-3S</b> | FD18-7 | 18 sq. ft.      | 67 GPM    | PSP1100-3R | 1     | 1.0 | 115   | 24,120        | 32,160  |
| <b>FDS067157-3S</b> | FD18-7 | 18 sq. ft.      | 67 GPM    | PSP1150-3R | 1     | 1.5 | 115   | 24,120        | 32,160  |

3 foot cord - Twist-Lock plug

|                     |        |            |        |            |   |     |     |        |        |
|---------------------|--------|------------|--------|------------|---|-----|-----|--------|--------|
| <b>FDS044107-6</b>  | FD12-7 | 12 sq. ft. | 44 GPM | PSP2100-6R | 2 | 1.0 | 115 | 15,840 | 21,120 |
| <b>FDS067107-6</b>  | FD18-7 | 18 sq. ft. | 67 GPM | PSP2100-6R | 2 | 1.0 | 115 | 24,120 | 32,160 |
| <b>FDS067157-6</b>  | FD18-7 | 18 sq. ft. | 67 GPM | PSP2150-6R | 2 | 1.5 | 115 | 24,120 | 32,160 |
| <b>FDS044107-6S</b> | FD12-7 | 12 sq. ft. | 44 GPM | PSP1100-6R | 1 | 1.0 | 115 | 15,840 | 21,120 |
| <b>FDS067107-6S</b> | FD18-7 | 18 sq. ft. | 67 GPM | PSP1100-6R | 1 | 1.0 | 115 | 24,120 | 32,160 |
| <b>FDS067157-6S</b> | FD18-7 | 18 sq. ft. | 67 GPM | PSP1150-6R | 1 | 1.5 | 115 | 24,120 | 32,160 |

3 foot cord - 3-wire NEMA (regular) plug

Systems include: 2 hoses (1 1/2" x 6 ft.) • hose fittings, hose clamps, union adapter • 3 ft. cord Twist Lock plug, or 3 ft. cord NEMA plug • Gate valve • deluxe one-piece base

## ClearWater II D.E. Filter Standard System with Hi-Flo II 1-Speed or 2-Speed Pump

| Part No.           | Filter | Filtration Area | Flow Rate | Pump      | Speed | Hz  | Volts | Pool Turnover |         |
|--------------------|--------|-----------------|-----------|-----------|-------|-----|-------|---------------|---------|
|                    |        |                 |           |           |       |     |       | 6 Hours       | 8 Hours |
| <b>522-5007-3S</b> | FD12-7 | 12 sq. ft.      | 44 GPM    | PH2100-3R | 2     | 1.0 | 115   | 15,840        | 21,120  |
| <b>522-5027-3S</b> | FD18-7 | 18 sq. ft.      | 67 GPM    | PH2100-3R | 2     | 1.0 | 115   | 24,120        | 32,160  |
| <b>522-5037-3S</b> | FD18-7 | 18 sq. ft.      | 67 GPM    | PH2150-3R | 2     | 1.5 | 115   | 24,120        | 32,160  |
| <b>520-5007-3S</b> | FD12-7 | 12 sq. ft.      | 44 GPM    | PH1100-3R | 1     | 1.0 | 115   | 15,840        | 21,120  |
| <b>520-5027-3S</b> | FD18-7 | 18 sq. ft.      | 67 GPM    | PH1100-3R | 1     | 1.0 | 115   | 24,120        | 32,160  |
| <b>520-5037-3S</b> | FD18-7 | 18 sq. ft.      | 67 GPM    | PH1150-3R | 1     | 1.5 | 115   | 24,120        | 32,160  |

3 foot cord - Twist-Lock plug

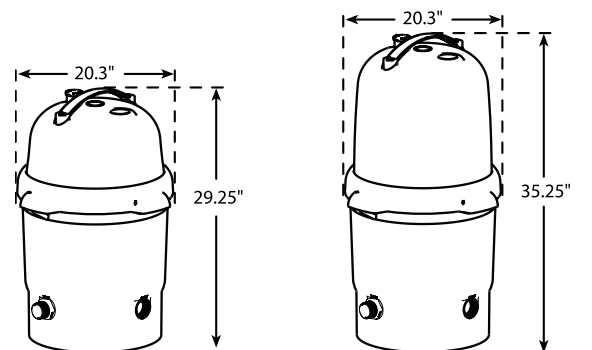
|                    |        |            |        |           |   |     |     |        |        |
|--------------------|--------|------------|--------|-----------|---|-----|-----|--------|--------|
| <b>522-5007-6S</b> | FD12-7 | 12 sq. ft. | 44 GPM | PH2100-6R | 2 | 1.0 | 115 | 15,840 | 21,120 |
| <b>522-5027-6S</b> | FD18-7 | 18 sq. ft. | 67 GPM | PH2100-6R | 2 | 1.0 | 115 | 24,120 | 32,160 |
| <b>522-5037-6S</b> | FD18-7 | 18 sq. ft. | 67 GPM | PH2150-6R | 2 | 1.5 | 115 | 24,120 | 32,160 |
| <b>520-5007-6S</b> | FD12-7 | 12 sq. ft. | 44 GPM | PH1100-6R | 1 | 1.0 | 115 | 15,840 | 21,120 |
| <b>520-5027-6S</b> | FD18-7 | 18 sq. ft. | 67 GPM | PH1100-6R | 1 | 1.0 | 115 | 24,120 | 32,160 |
| <b>520-5037-6S</b> | FD18-7 | 18 sq. ft. | 67 GPM | PH1150-6R | 1 | 1.5 | 115 | 24,120 | 32,160 |

3 foot cord - 3-wire NEMA (regular) plug

Systems include: 2 hoses (1 1/2" x 6 ft.) • hose fittings, hose clamps, union adapter • 3 ft. cord Twist Lock plug, or 3 ft. cord NEMA plug • Gate valve • standard one-piece base

## ClearWater II D.E. Filter Systems (without Supreme Pump)

|                 | Part No.        | Filter  | Filtration Area |
|-----------------|-----------------|---------|-----------------|
| <b>DELUXE</b>   | <b>FDS0447S</b> | FD12-7  | 12 sq. ft.      |
|                 | <b>FDS0677S</b> | FD18-7  | 18 sq. ft.      |
| <b>STANDARD</b> | <b>520-5007</b> | FD12-7  | 12 sq. ft.      |
|                 | <b>520-5027</b> | FD18-07 | 18 sq. ft.      |



# Waterway™

2200 East Sturgis Road, Oxnard CA 93030 • Phone 805.981.0262 • Fax 805.981.9403  
[www.waterwayplastics.com](http://www.waterwayplastics.com) • [waterway@waterwayplastics.com](mailto:waterway@waterwayplastics.com)

Designed,  
 Engineered &  
 Manufactured  
 in the USA.