



633-7078



633-7088



633-7068



630-0068



630-5008



630-K008



630-K008S



630-0068S



630-6058S

LED Lights

Part No.	Description	Case Quantity	List (US \$)
633-7078	1/2" Threaded Faceted Light Lens Assembly	500	2.03
633-7088	1/2" Threaded Hex Style Light Lens Assembly	500	2.03
633-7068	1" Threaded Facet Light Lens Assembly with LED Sleeve	200	3.87
630-0068	Mini 2 1/8" Spa Light Assembly for Single LED	300	10.80
630-0068S	Mini 2 1/8" Spa Light Assembly for Single LED Stainless Steel	300	12.46
630-0008	Mini 2 1/8" Spa Light Assembly - Plastic Only	300	10.80
630-0008S	Mini 2 1/8" Spa Light Assembly - Stainless Steel Escutcheon	120	12.46
630-5008	Standard 3 1/2" Spa Light Assembly - Plastic Only	80	17.36
630-K008	5" Jumbo Spa Light Assembly - Plastic Only	40	40.67
630-K008S	5" Jumbo Spa Light Assy - Plastic Only - No Lenses - MTL Esc.	40	49.07
630-6058S	XL Jumbo Spa Light 7.5" with Stainless Steel Escutcheon		73.65



FEATURES:

- Designed for mounting in a cup holder recess
- Illuminates clear glasses and cups
- Requires only one LED

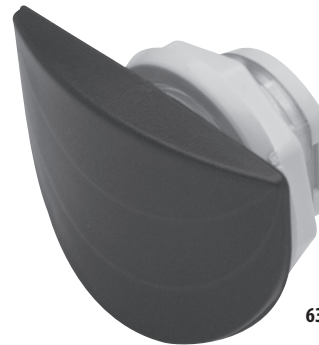
630-0038

LED Cup Holder Light Lens

Part No.	Description	Case Quantity	List (US \$)
630-0038	LED Cup Holder Light Lens	20	10.85



660-6300



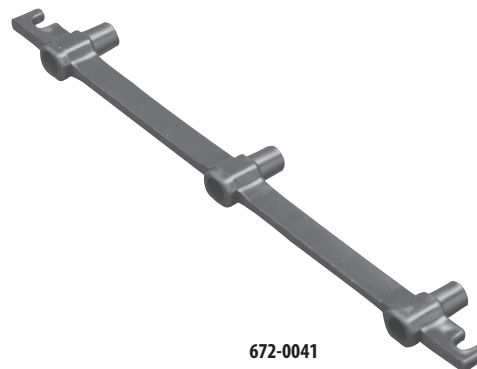
630-6401

FEATURES:

- Illuminates spa skirting
- Mounts to outside perimeter of spa cabinet
- Requires only one LED

LED Cabinet Light

Part No.	Description	Case Quantity	List (US \$)
630-6300	1/2" Threaded Faceted Light Lens Assembly	500	2.03
630-6400	LED Cabinet Light	--	7.88



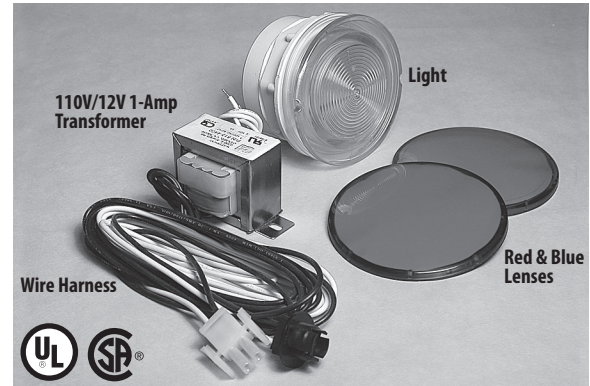
672-0041

FEATURES:

- Used as perimeter lighting up underneath spa shell or kick plate area
- Bends to conform to corners of any radius
- Accepts up to three LED lights

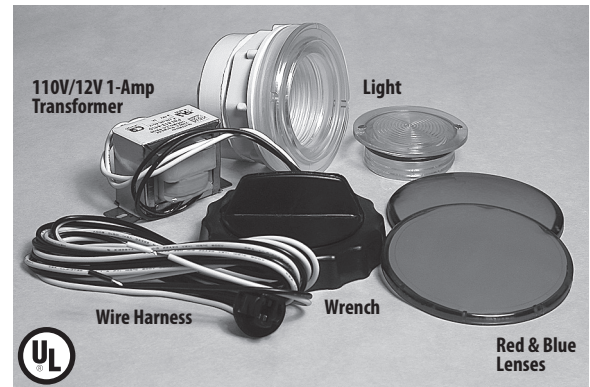
LED Strip Light

Part No.	Description	Case Quantity	List (US \$)
672-0041	LED Strip Light	20	9.86



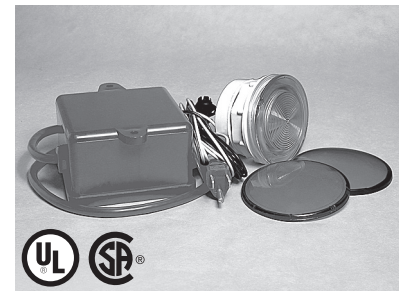
Standard 3 1/2" O.E.M. Spa Light Kits

Part No.	Description	Case Quantity	List (US \$)
630-5005	Plastic Only - with Red and Blue Lenses	50	19.84
630-5115	O.E.M. Kit - with 8 ft. Wire Harness - Bulb & 110V/12V - 1-Amp Transformer	40	38.24
630-5105	O.E.M. Kit - with 8 ft. Wire Harness and Bulb	50	25.51
630-5205	O.E.M. Kit - with 8 ft. Wire Harness - Bulb and 2-Pin Connector	50	35.11



Front Access 3 1/2" O.E.M. Spa Light Kits

Part No.	Description	Case Quantity	List (US \$)
630-6005	Plastic Only - includes Wrench	50	26.91
630-6115	Kit - includes 8 ft. Wire Harness - Bulb - Wrench - 110V/12V 1-Amp Transformer	40	45.32
630-6105	Kit - includes 8 ft. Wire Harness - Bulb - Wrench	45	32.55
630-6205	Kit - includes 8 ft. Wire Harness - Bulb - Wrench - 2-Pin Connector	40	42.17



Spa Light Power Supply and NEMA Cord

Part No.	Description	Case Quantity	List (US \$)
630-1105	110V/12V without Air Switch	20	69.09
630-1115	110V/12V with Air Switch	20	100.15



Jumbo 5" O.E.M. Spa Light Kits

Part No.	Description	Case Quantity	List (US \$)
630-K005	Plastic Only - with Red and Blue Lenses	40	43.23
630-K008S	Plastic Only - Stainless Steel Escutcheon - with Red and Blue Lenses	40	49.07
630-K115	Kit - 8 ft. Wire Harness - 2-Pin Connector - Bulb - 110V/12V 1-Amp Transformer	20	61.85
630-K105	Kit - 8 ft. Wire Harness - Bulb	32	48.14



Spa Light Accessories

Part No.	Description	Case Quantity	List (US \$)
813-4370	Bulb #912	--	3.30
813-4400	1-Amp Transformer - 120V / 12V - 60Hz	40	13.63
813-4500	1-Amp Transformer - 230V / 12V - 50/60Hz	40	19.26
630-0005	Light Lens Kit - 1 Red and 1 Blue Lens	75	8.50
711-6930	Double-Seal Gasket - Mini Spa Light	75	1.60

FEATURES:

- Allows 1" flexible electrical conduit to be nicely mounted to spa cabinet or doghouse areas
- 1" Socket on both sides
- Mounts like a flush mount bulkhead fitting



Electrical Bulkhead Wallfitting

Part No.	Description	Case Quantity	List (US \$)
210-1861	1" Electrical Bulkhead Wallfitting with Cap	100	3.35