



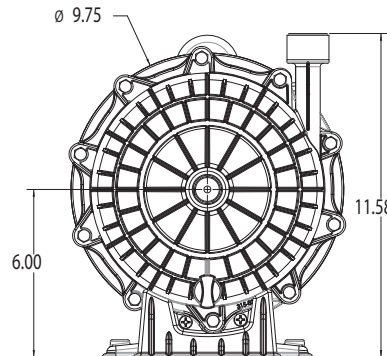
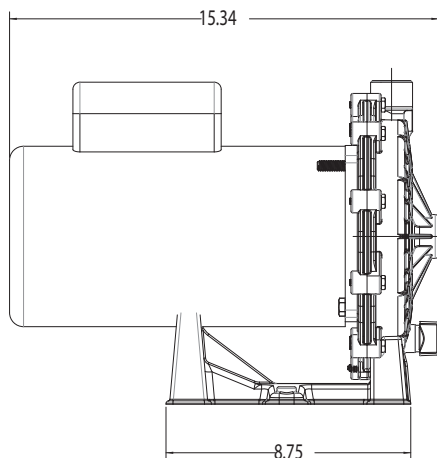
**FEATURES:**

- Suitable for all swimming pool pressure cleaners.
- Best replacement for any 3/4 HP booster pump.
- Optimized for reliability, durability & efficiency.
- Comes with a tall, versatile mounting base.
- Equipped w/high efficiency square flange 3/4 HP, 230/115 V motor. Provides extra quiet, long life operation and optimum energy efficiency.
- Maintains one of the highest head pressures in the industry.



For replacement parts, see page 250.  
For unions, see page 56.

*Comes with everything you need to install or retrofit the pump: reinforced flexible pump hose, hose barb adaptors and clamps.*



**Universal Booster Pump**

Part No.	Description	Volts	HP	List (US \$)
<b>3810430-1PDA</b>	Booster Pump 60 HZ with Connectors and Hose Kit	115/230V	3/4 HP	597.73
<b>550-8700</b>	Hose, Fitting And Clamp Kit (4)	N/A	N/A	52.52



The extraordinary quietness of the SVL56 moves us nearer to the goal of silent operation, and it provides by far the best vertical lift. A true 56-frame motor ensures long life and uninterrupted power. Attention to detail is evident in the design of this proven pump. Designed for easy serviceability and installation, the pump accepts either 2" or 2 1/2" plumbing connections and features dual bearings for cooler operating temperature. This pump will provide years of trouble-free performance.

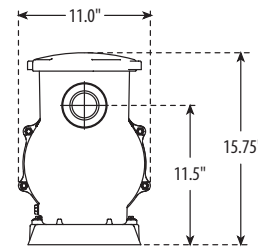
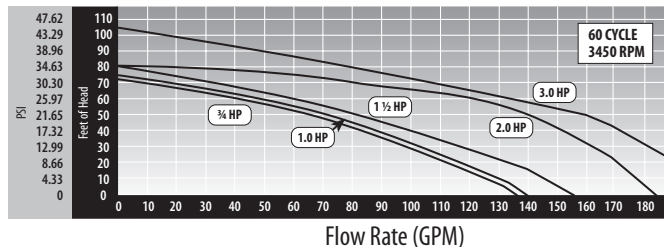
**FEATURES:**

- Extremely quiet operation
- High efficiency with maximum flow
- Self-priming
- Best vertical lift at 24 ft.
- Easy to service
- True 56-frame motor for cooler running and longer life
- 2 1/2" union threads x 2" FPT with unions (included)
- Large trap basket with cam-lock lid
- 60 Hz rating

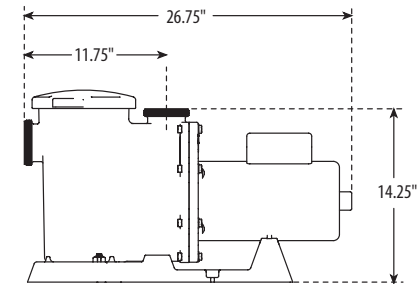
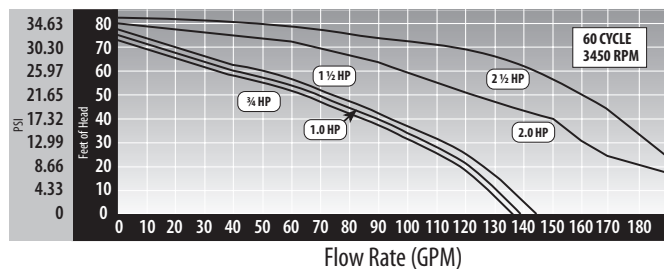


For replacement parts, see page 252.  
For unions, see page 56.

**ENERGY EFFICIENT  
PRESSURE VERSUS FLOW RATE**



**STANDARD EFFICIENCY  
PRESSURE VERSUS FLOW RATE**



**Energy Efficient - Full Rated**

Part No.	Description	Volts	HP	Weight (lbs.)	List (US \$)
SVL56E-110	1-Speed - 2" or 2 1/2" Intake and Discharge	115 / 230	1.0	40	1297.04
SVL56E-115	1-Speed - 2" or 2 1/2" Intake and Discharge	230	1.5	44	1403.09
SVL56E-120	1-Speed - 2" or 2 1/2" Intake and Discharge	230	2.0	48	1560.52
SVL56E-130	1-Speed - 2" or 2 1/2" Intake and Discharge	230	3.0	52	1940.92

**Standard Efficiency - Maximum Rated**

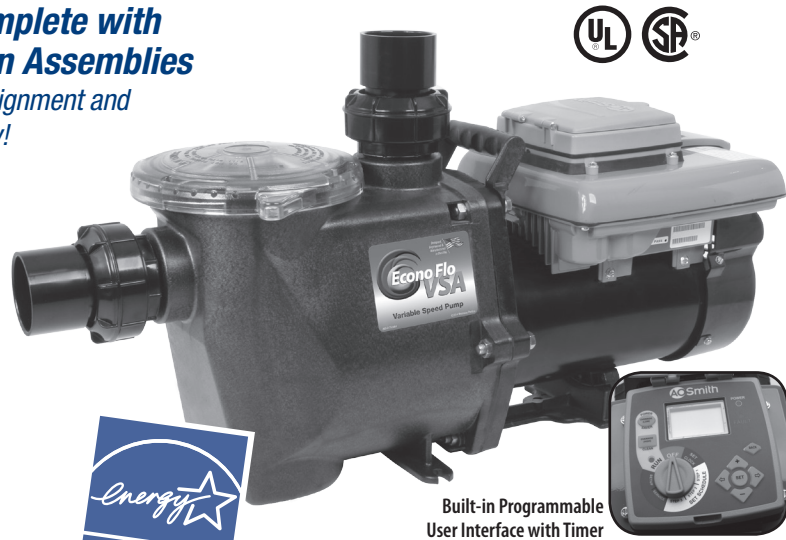
Part No.	Description	Volts	HP	Weight (lbs.)	List (US \$)
SVL56S-110	1-Speed - 2" or 2 1/2" Intake and Discharge	115 / 230	1.0	40	1081.73
SVL56S-115	1-Speed - 2" or 2 1/2" Intake and Discharge	115 / 230	1.5	44	1142.77
SVL56S-120	1-Speed - 2" or 2 1/2" Intake and Discharge	230	2.0	46	1303.47
SVL56S-125	1-Speed - 2" or 2 1/2" Intake and Discharge	230	2.5	48	1538.03
SVL56S-215	2-Speed - 2" or 2 1/2" Intake and Discharge	230	1.5	45	1399.84
SVL56S-220	2-Speed - 2" or 2 1/2" Intake and Discharge	230	2.0	47	1452.89



**NEW!** Comes complete with  
**2 Swivel Union Assemblies**  
 Great for precise alignment and  
 plumbing versatility!

**FEATURES:**

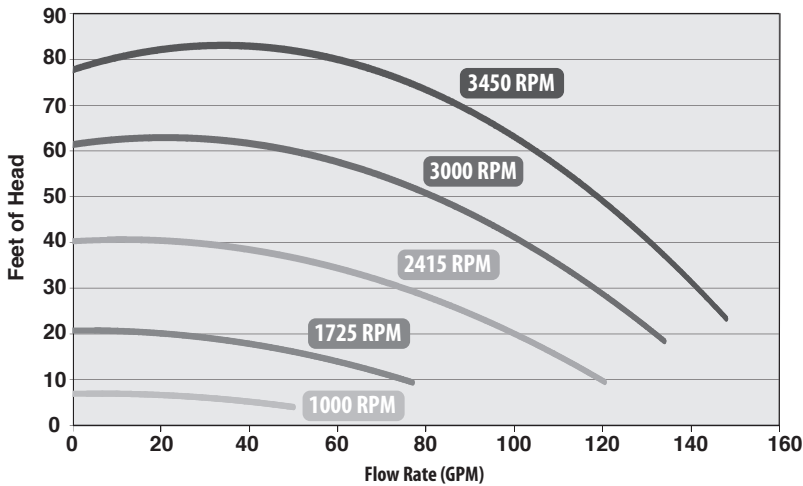
- Pump is pressure testable up to 50 PSI
- User-Friendly programming
- Optional off-board mounting of controls.
- Ability to install and program additional load (booster pump, chlorine generator)
- Display is easy to view in any light
- 2" union threads x 1½" FPT with unions (included)
- Compliant with all energy legislation. Meets Title 20 & Title 24 regulations
- Super quiet operation
- Built-in freeze protection



Built-in Programmable  
 User Interface with Timer

Model #: **ECONO-VSC**

**Econo Flo VSA Pump - Performance Curves**



For replacement parts, see page 254.  
 For unions, see page 56.

Adjustable  
 base included.  
 Ideal when replacing  
 or plumbing Sta-Rite,  
 Hayward or Pentair  
 pumps in the field.  
 See Page 53.

675-1380



**Econo Flo VSA - Variable Speed Pump**

Part No.	Description	Volts	HP	List (US \$)
<b>ECONO-VSA</b>	Econo Flo VSC Variable Speed Pump	230	2.7 Total HP	2519.99



# Pool Pumps - In-Ground / Econo Flo VSA-165 Variable Speed

Pool Pumps

**NEW!** Comes complete with  
**2 Swivel Union Assemblies**  
Great for precise alignment and  
plumbing versatility!

**FEATURES:**

- Maximum 1.65HP
  - Timer Mode
  - Full Variable Speed (600-3450 RPM)
  - Freeze Protection
  - Program Memory Back-up
  - Keypad Lockout Feature
  - 2" Slip x 1 1/2" FPT Unions (included)
  - Adjustable Base (included)
- Easy replacement for most brand pumps



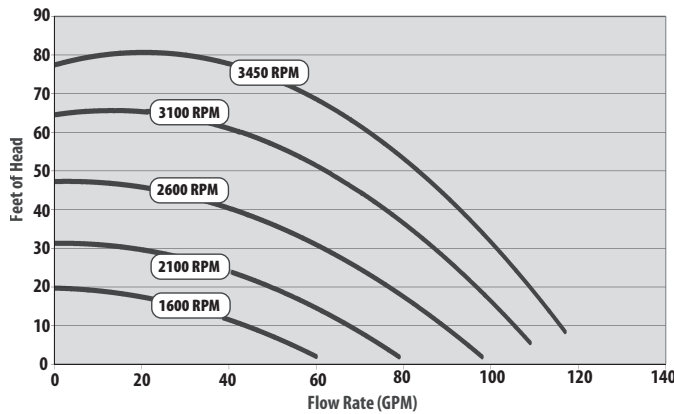
Model #: **ECONOVSC-165**



Built-in Programmable  
User Interface with Timer

For replacement parts, see page 256.  
For unions, see page 56.

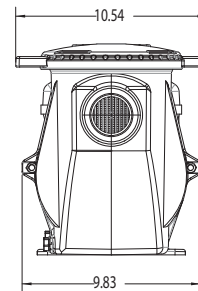
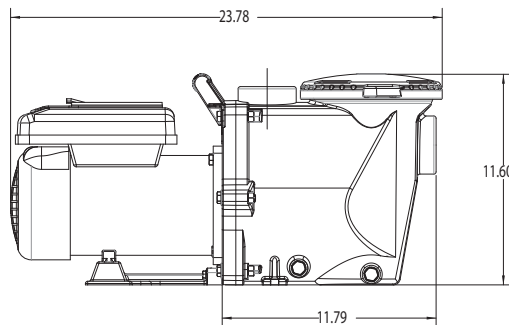
**Econo Flo VSA-165 – Performance Curves**



Adjustable  
base included.  
Ideal when replacing  
or plumbing Sta-Rite,  
Hayward or Pentair  
pumps in the field.  
See Page 53.



675-1380



## Econo Flo VSA-165 - Variable Speed Pump

Part No.	Description	Volts	HP	List (US \$)
<b>ECONOVSC-165</b>	Econo Flo VSA-165 Variable Speed Pump	230	1.65 HP	1761.97



**FEATURES:**

- Quiet operation
- High efficiency
- Self-priming
- 2" FPT intake and discharge
- 2" unions included
- Easy to service
- True 56-frame motor for cooler running and longer life
- Large trap basket with cam-lock lid
- 60 Hz rating

**NEW!** Comes complete with **2 Swivel Union Assemblies**  
Great for precise alignment and plumbing versatility!

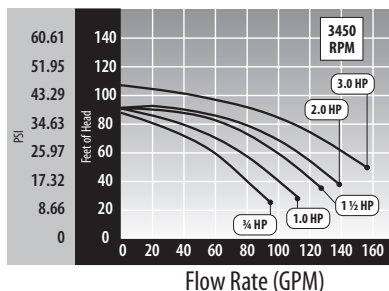


For replacement parts, see page 260.  
For unions, see page 56.

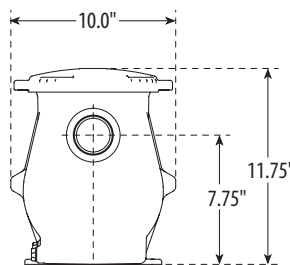
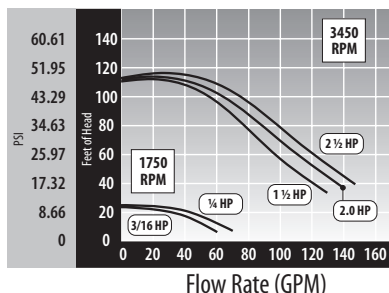
The Champion High Performance Pump is compatible with all cleaning systems, various filters and jet action spas. The Champion Pump is ideal for new installations and as a replacement pump due to its dimensions.

Pool Pumps

**FULL RATED - 1-SPEED  
PRESSURE VERSUS FLOW RATE**



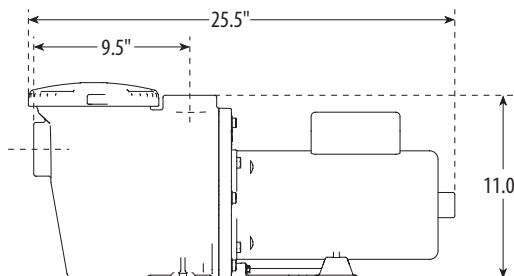
**2-SPEED  
PRESSURE VERSUS FLOW RATE**



Adjustable base included. Ideal when replacing or plumbing Sta-Rite, Hayward or Pentair pumps in the field. See Page 53.



675-1380



**Energy Efficient - Full Rated**

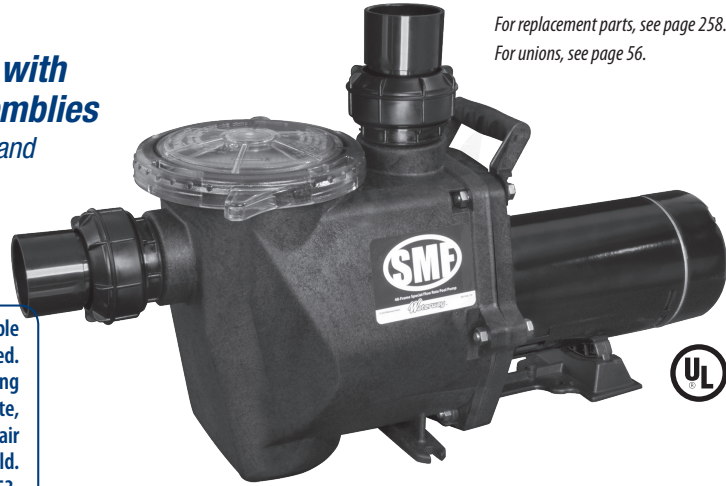
Part No.	Description	Volts	HP	List (US \$)
<b>CHAMPE-107</b>	1-Speed	115/230	3/4	1127.72
<b>CHAMPE-110</b>	1-Speed	115/230	1.0	1215.32
<b>CHAMPE-115</b>	1-Speed	230	1.5	1332.11
<b>CHAMPE-120</b>	1-Speed	230	2.0	1498.86

**Standard Efficiency - Maximum Rated**

Part No.	Description	Volts	HP	List (US \$)
<b>CHAMPS-107</b>	1-Speed	115/230	3/4	989.41
<b>CHAMPS-110</b>	1-Speed	115/230	1.0	1040.10
<b>CHAMPS-115</b>	1-Speed	115/230	1.5	1097.76
<b>CHAMPS-120</b>	1-Speed	115/230	2.0	1216.84
<b>CHAMPS-125</b>	1-Speed	230	2.5	1470.42
<b>CHAMPS-215</b>	2-Speed	230	1.5	1410.70
<b>CHAMPS-220</b>	2-Speed	230	2.0	1176.96



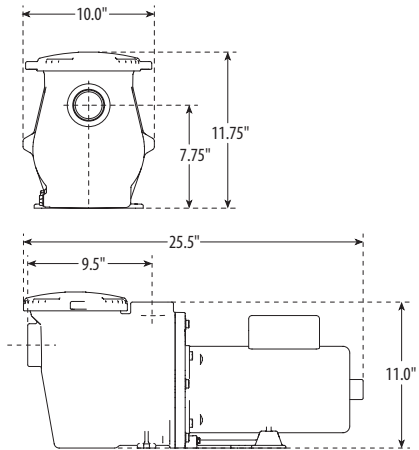
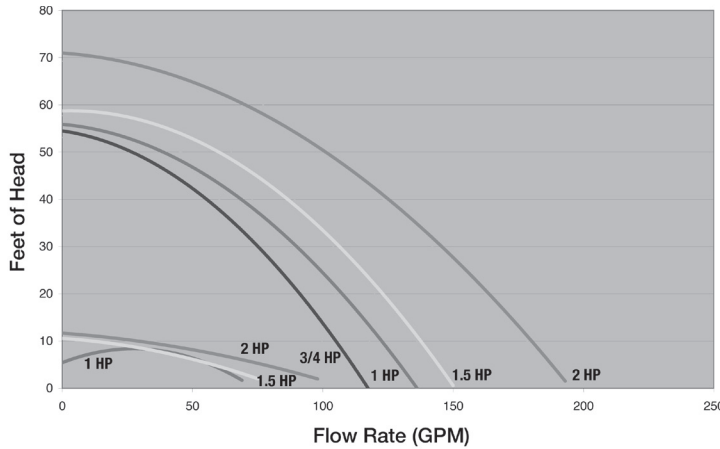
**NEW!** Comes complete with  
**2 Swivel Union Assemblies**  
 Great for precise alignment and  
 plumbing versatility!



**FEATURES:**

- Super quiet operation
- 2" Unionized (Intake/Discharge)
- One piece pot and volute reduce noise
- Lower flow rates for more versatile installations

SMF - Performance Curves



**SMF - 1-Speed Pumps**

Part No.	Description	Volts	HP	Weight (lbs.)	List (US \$)
<b>SMF-107</b>	1-Speed	115/208-230	3/4	--	702.72
<b>SMF-110</b>	1-Speed	115/208-230	1.0	--	731.72
<b>SMF-115</b>	1-Speed	115/208-230	1.5	--	791.46
<b>SMF-120</b>	1-Speed	115/208-230	2.0	--	922.13

**SMF - 2-Speed Pumps**

Part No.	Description	Volts	HP	Weight (lbs.)	List (US \$)
<b>SMF-210</b>	2-Speed	230	1.0	--	1055.56
<b>SMF-215</b>	2-Speed	230	1.5	--	1135.53
<b>SMF-220</b>	2-Speed	230	2.0	--	1287.21



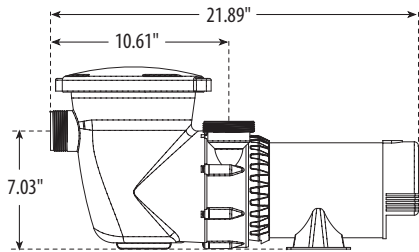
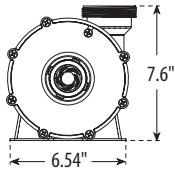
**FEATURES:**

- 1 1/2" Union threads / 1 1/2" FPT Intake and 2" Union threads / 1 1/2" FPT discharge
- Extra large 7" pump trap with clear lid
- Powerful side discharge performance
- Wet end easily rotates

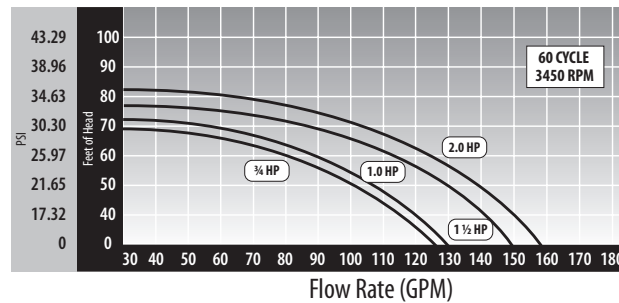


For replacement parts, see page 262.

The Supreme Pump is the ultimate in above ground pool engineering. Designed for today's more demanding applications, the Supreme Pump is ideal for D.E., cartridge or sand filtration systems of all sizes.



Supreme Performance Curves



**Supreme 48-Frame Above Ground Pool Pump**

Part No.	Description	Volts	Amps	HP	Weight (lbs.)	List (US \$)
PSP1075-3	1-Speed - 3 ft. Twist-Lock Cord	115	10.78	3/4	27	605.25
PSP1100-3	1-Speed - 3 ft. Twist-Lock Cord	115	13.2	1.0	28	616.38
PSP1150-3	1-Speed - 3 ft. Twist-Lock Cord	115	13.2	1.5	33.5	662.99
PSP1200-3	1-Speed - 3 ft. Twist-Lock Cord	115	18.04	2.0	35	781.15
PSP2075-3	2-Speed - 3 ft. Twist-Lock Cord	115	10.78	3/4	27	722.09
PSP2100-3	2-Speed - 3 ft. Twist-Lock Cord	115	13.2	1.0	29	737.97
PSP2150-3	2-Speed - 3 ft. Twist-Lock Cord	115	13.2	1.5	33.5	792.51
PSP2200-3	2-Speed - 3 ft. Twist-Lock Cord	115	18.04	2.0	35	849.34
PSP1075-6	1-Speed - 3 ft. NEMA Cord	115	10.78	3/4	29	605.25
PSP1100-6	1-Speed - 3 ft. NEMA Cord	115	13.2	1.0	33	616.38
PSP1150-6	1-Speed - 3 ft. NEMA Cord	115	13.2	1.5	36	662.99
PSP1200-6	1-Speed - 3 ft. NEMA Cord	115	18.04	2.0	38	781.15
PSP2075-6	2-Speed - 3 ft. NEMA Cord	115	10.78	3/4	29	722.09
PSP2100-6	2-Speed - 3 ft. NEMA Cord	115	13.2	1.0	33	737.97
PSP2150-6	2-Speed - 3 ft. NEMA Cord	115	13.2	1.5	36	792.51
PSP2200-6	2-Speed - 3 ft. NEMA Cord	115	18.04	2.0	38	849.34

Part numbers listed are for the discharge in the vertical position (sand). For discharge in horizontal position (cartridge and D.E.), add "R" to the end of the part number.

1-speed pumps have an on/off toggle switch. 2-speed pumps have a hi/lo/off toggle switch included.

NEMA cord is 3 prong grounded. All power cords are 3' in length.



# Pool Pumps - Above Ground / Hi-Flo II Side Discharge - 48-Frame

Pool Pumps

## FEATURES:

- 1 1/2" union threads / 1 1/2" FPT intake and 2" union threads / 1 1/2" FPT discharge
- Powerful side discharge performance
- Wet end can be rotated for easy installation
- Large 6" pump trap with one-piece clear lid
- High head capability
- Trap is 2" union x 1 1/2" union / 1 1/2" FPT



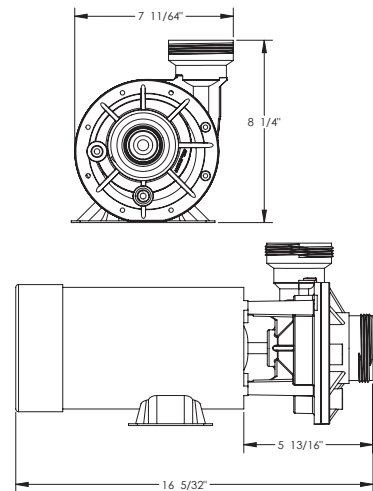
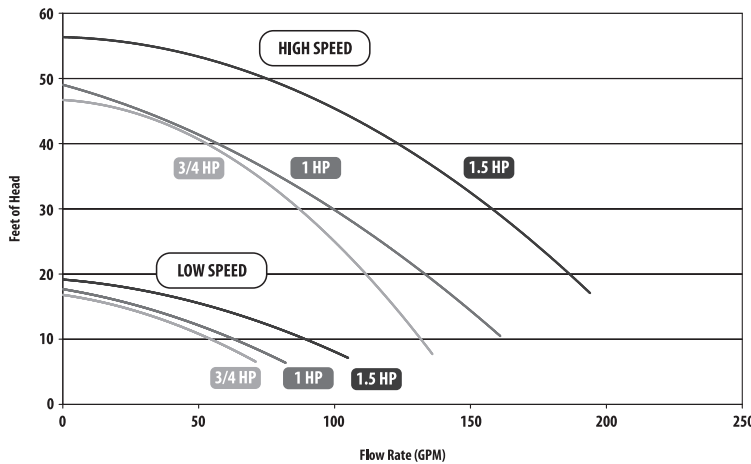
**NEW!**  
**IMPROVED WET END**



For replacement parts, see page 264.

The Hi-Flo Above Ground pump was designed for superior and efficient performance. The Hi-Flo pump features high flow rate performance for faster filtering cycles. This pump is ideal for new installations or as a replacement pump.

Hi-Flo Pumps - Performance Curves



## Hi-Flo II Side Discharge 48-Frame Above Ground Pool Pump and Trap

Part No.	Description	Volts	HP	Weight (lbs.)	List (US \$)
PH1075-H3	1-Speed - 3 ft. Twist-Lock Cord	115	3/4	24	551.73
PH1100-H3	1-Speed - 3 ft. Twist-Lock Cord	115	1.0	25	570.38
PH1150-H3	1-Speed - 3 ft. Twist-Lock Cord	115	1.5	30.5	615.86
PH1200-H3	1-Speed - 3 ft. Twist-Lock Cord	115	2.0	32	734.04
PH2075-H3	2-Speed - 3 ft. Twist-Lock Cord	115	3/4	24	674.95
PH2100-H3	2-Speed - 3 ft. Twist-Lock Cord	115	1.0	25	690.86
PH2150-H3	2-Speed - 3 ft. Twist-Lock Cord	115	1.5	30.5	745.37
PH2200-H3	2-Speed - 3 ft. Twist-Lock Cord	115	2.0	32	802.21
PH1075-H6	1-Speed - 3 ft. NEMA Cord	115	3/4	26	551.73
PH1100-H6	1-Speed - 3 ft. NEMA Cord	115	1.0	30	570.38
PH1150-H6	1-Speed - 3 ft. NEMA Cord	115	1.5	33	615.86
PH1200-H6	1-Speed - 3 ft. NEMA Cord	115	2.0	35	734.04
PH2075-H6	2-Speed - 3 ft. NEMA Cord	115	3/4	26	674.95
PH2100-H6	2-Speed - 3 ft. NEMA Cord	115	1.0	30	690.86
PH2150-H6	2-Speed - 3 ft. NEMA Cord	115	1.5	33	734.16
PH2200-H6	2-Speed - 3 ft. NEMA Cord	115	2.0	35	802.21

Part numbers listed are for the discharge in the vertical position (sand). For discharge in horizontal position (cartridge and D.E.), add "R" to the part number.

1-speed pumps have an on/off toggle switch. 2-speed pumps have a hi/lo/off toggle switch included.

NEMA cord is 3 prong grounded. All power cords are 3' in length.

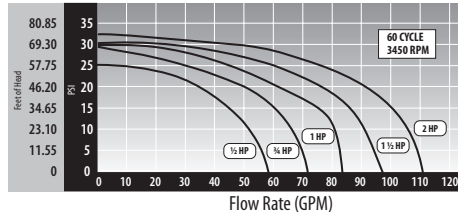




## FEATURES:

- 1 1/2" Union / 1 1/2" FPT Inlet & Vertical Discharge or 1 1/2" Union / 1 1/2" FPT Inlet and Jacuzzi Self-Aligning Union Discharge (SLR9)
- Powerful center discharge performance
- Wet end can be rotated for easy installation
- Large 6" pump trap with one-piece clear lid
- High head capability
- Trap is 2" union x 1 1/2" union / 1 1/2" FPT

### PRESSURE VERSUS FLOW RATE



For replacement parts, see page 267.

Pool Pumps

## Center Discharge Above Ground Pool Pump

Part No.	Description	HP	Volts	List (US \$)
3410210-1544	1-Speed - 3 ft. Twist-Lock Cord	1/2	115	537.75
3410314-1544	1-Speed - 3 ft. Twist-Lock Cord	3/4	115	541.06
3410413-1544	1-Speed - 3 ft. Twist-Lock Cord	1.0	115	552.00
3410612-1544	1-Speed - 3 ft. Twist-Lock Cord	1.5	115	597.33
3410811-1544	1-Speed - 3 ft. Twist-Lock Cord	2.0	115	706.58
3420210-1544	2-Speed - 3 ft. Twist-Lock Cord	1/2	115	645.37
3420310-1544	2-Speed - 3 ft. Twist-Lock Cord	3/4	115	651.29
3420411-1544	2-Speed - 3 ft. Twist-Lock Cord	1.0	115	669.15
3420612-1544	2-Speed - 3 ft. Twist-Lock Cord	1.5	115	719.77
3420610-1544	2-Speed - 3 ft. Twist-Lock Cord	2.0	115	770.44
3410210-1549	1-Speed - 3 ft. NEMA Cord	1/2	115	537.75
3410314-1549	1-Speed - 3 ft. NEMA Cord	3/4	115	541.06
3410413-1549	1-Speed - 3 ft. NEMA Cord	1.0	115	552.00
3410612-1549	1-Speed - 3 ft. NEMA Cord	1.5	115	597.33
3410811-1549	1-Speed - 3 ft. NEMA Cord	2.0	115	706.58
3420310-1549	2-Speed - 3 ft. NEMA Cord	3/4	115	651.29
3420411-1549	2-Speed - 3 ft. NEMA Cord	1.0	115	669.15
3420612-1549	2-Speed - 3 ft. NEMA Cord	1.5	115	719.77
3420610-1549	2-Speed - 3 ft. NEMA Cord	2.0	115	770.44

## Center Discharge Above Ground Pool Pump - Jacuzzi Style Threads

Part No.	Description	HP	Volts	List (US \$)
3410210-1524	1-Speed - 3 ft. Twist-Lock Cord	1/2	115	552.22
3410314-1524	1-Speed - 3 ft. Twist-Lock Cord	3/4	115	556.75
3410413-1524	1-Speed - 3 ft. Twist-Lock Cord	1.0	115	568.15
3410612-1524	1-Speed - 3 ft. Twist-Lock Cord	1.5	115	613.57
3410811-1524	1-Speed - 3 ft. Twist-Lock Cord	2.0	115	727.91
3420210-1524	2-Speed - 3 ft. Twist-Lock Cord	1/2	115	665.31
3420310-1524	2-Speed - 3 ft. Twist-Lock Cord	3/4	115	670.37
3420411-1524	2-Speed - 3 ft. Twist-Lock Cord	1.0	115	688.57
3420612-1524	2-Speed - 3 ft. Twist-Lock Cord	1.5	115	740.84
3420610-1524	2-Speed - 3 ft. Twist-Lock Cord	2.0	115	749.60
3410210-1529	1-Speed - 3 ft. NEMA Cord	1/2	115	552.22
3410314-1529	1-Speed - 3 ft. NEMA Cord	3/4	115	556.75
3410413-1529	1-Speed - 3 ft. NEMA Cord	1.0	115	568.15
3410612-1529	1-Speed - 3 ft. NEMA Cord	1.5	115	613.57
3410811-1529	1-Speed - 3 ft. NEMA Cord	2.0	115	731.75
3420210-1529	2-Speed - 3 ft. NEMA Cord	1/2	115	665.31
3420310-1529	2-Speed - 3 ft. NEMA Cord	3/4	115	670.37
3420411-1529	2-Speed - 3 ft. NEMA Cord	1.0	115	688.57
3420612-1529	2-Speed - 3 ft. NEMA Cord	1.5	115	740.84
3420610-1529	2-Speed - 3 ft. NEMA Cord	2.0	115	749.60



# Spa Pumps / Hi-Flo II Side Discharge - 48-Frame

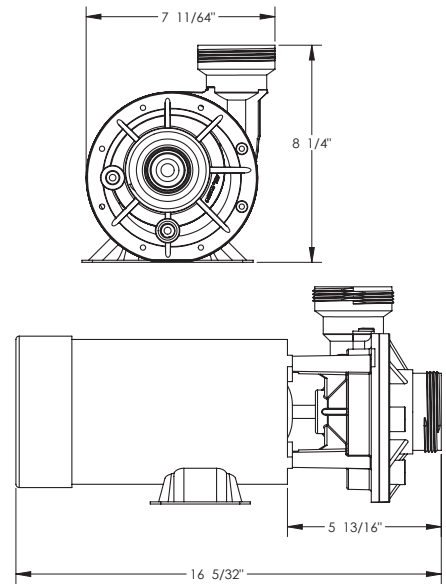
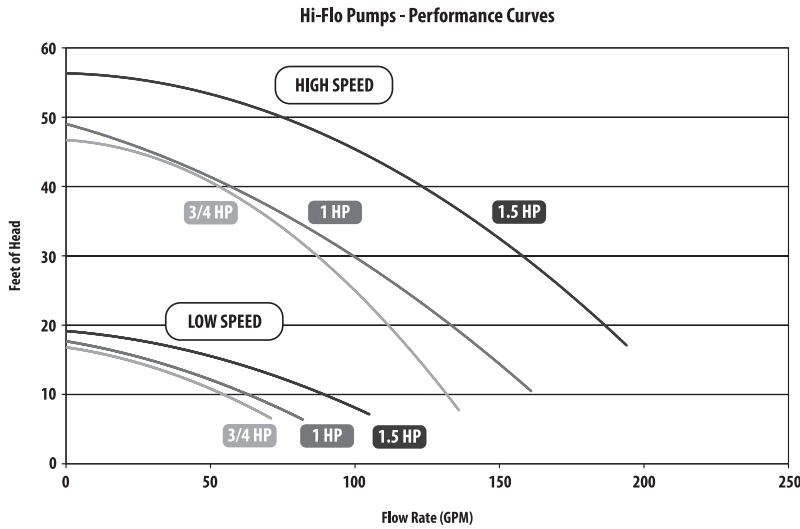
Pool Pumps

### FEATURES:

- High volume side discharge efficiency
- 60% more efficient than our center discharge pumps
- 2" intake and discharge
- Wet end can be rotated for easy installation
- Available in 1 to 4 HP, 1 or 2 speed
- Large 6 1/2" diameter wet end for higher head pressure
- Viton Seals
- 18 month warranty



For replacement parts, see page 264.



### 2-Speed Hi-Flo II Side Discharge 48-Frame Pumps

Part No.	HP	Volts	Amps High Speed	Amps Low Speed	Hz	Dimension "A"	List (US \$)
<b>3420410-H10</b>	1.0	115	11.0	2.9	60	14.73"	535.76
<b>3420610-H10</b>	1.5	115	16.4	4.4	60	15.48"	585.03
<b>3420620-H10</b>	1.5	230	8.0	2.6	60	15.48"	585.03
<b>3420820-H10</b>	2.0	230	10.5	2.6	60	16.00"	619.88

### 1-Speed Hi-Flo II Side Discharge 48-Frame Pumps

Part No.	HP	Volts	Amps	Hz	Dimension "A"	List (US \$)
<b>3410410-H10</b>	1.0	115	12.0	60	14.23"	462.56
<b>3410612-H10</b>	1.5	115	17.0	60	14.78"	462.56
<b>3410830-H10</b>	2.0	115/230	20-10	60	14.98"	570.47



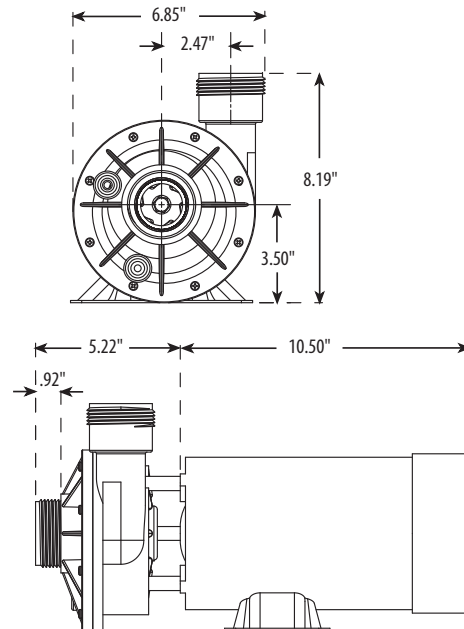
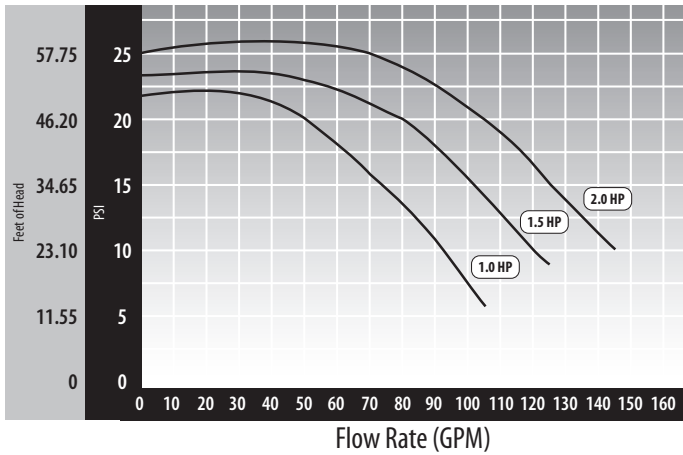
**FEATURES:**

- 48-frame proven design
- Designed for direct replacement in most spas
- Viton seals
- 1 ½" Intake and Discharge
- Direct replacement for Aqua Flo FMHP



For replacement parts, see page 275.

**PRESSURE VERSUS FLOW RATE**



**2-Speed Spa Flo II 48-Frame Pumps**

Part No.	HP	Volts	Hz	Case Quantity	List (US \$)
<b>3420410-SOZ</b>	1	115	60	1	535.76
<b>3420610-SOZ</b>	1 ½	115	60	1	585.03
<b>3420820-SOZ</b>	2	230	60	1	619.88

Sold without cords. Please call for available cords.

**1-Speed Spa Flo II 48-Frame Pumps**

Part No.	HP	Volts	Hz	Case Quantity	List (US \$)
<b>3410410-SOZ</b>	1	115	60	1	462.56
<b>3410610-SOZ</b>	1 ½	115	60	--	646.31
<b>3410830-SOZ</b>	2	115 / 230	60	1	570.47

Sold without cords. Please call for available cords.



**FEATURES:**

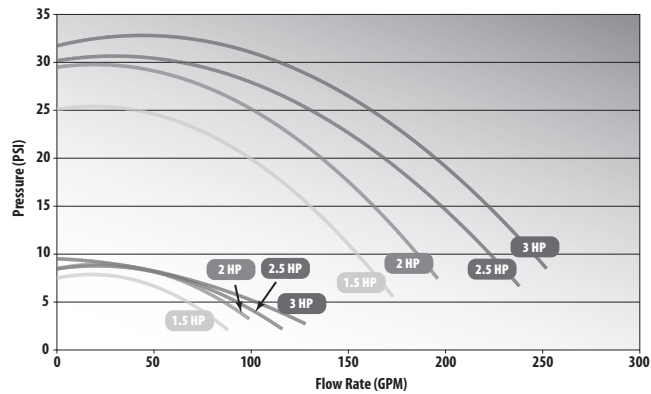
- True continuous rated horsepower of 1.5, 2.0, 2.5 and 3.0 HP
- 48-Frame or 56-Frame, Single or Dual Speed (energy saving)
- Use more jets per pump
- Same physical size as Aqua-Flo XP2, XP2e (fits within the same volume envelope)
- Can be used as substitute or retrofit to Aqua-Flo model XP2 or XP2e pumps and similar pumps and wet ends offered by other domestic and foreign suppliers
- Made in USA from highest quality materials with UL and CUL certifications
- CE and TUV certification on export pumps to ensure product performance for you and your customers
- Equipped with the highest quality Viton Seals
- Equipped with high efficiency electrical motors, custom designed for Spa applications



For replacement parts, see page 270.

Call for available cords and plugs.

**EX2 Performance Chart**



**2-Speed EX 2 48-Frame Pumps**

Part No.	Description	HP - Full	Volts	Amps High Speed	Amps Low Speed	Hz	List (US \$)
<b>3420610-1U</b>	2" Intake - 2" Discharge	1.5	115	16.4	4.4	60	585.03
<b>3420820-1U</b>	2" Intake - 2" Discharge	2	230	10.5	2.6	60	619.88
<b>3421021-1U</b>	2" Intake - 2" Discharge	2	230	9.0	2.8	60	572.59
<b>3421221-1U</b>	2" Intake - 2" Discharge	2	230	8.5	2.8	60	641.46
<b>3421020-1U</b>	2" Intake - 2" Discharge	2.5	230	11.0	3.3	60	665.00
<b>3421821-1U</b>	2" Intake - 2" Discharge	3	230	12.0	3.5	60	723.16

**1-Speed EX 2 48-Frame Pumps**

Part No.	Description	HP - Full	Volts	Amps	Hz	List (US \$)
<b>3410610-1U</b>	2" Intake - 2" Discharge	1.5	115	17.0	60	498.16
<b>3411020-1U</b>	2" Intake - 2" Discharge	2.5	230	10.0	60	667.50
<b>3411621-1U</b>	2" Intake - 2" Discharge	3.0	230	12.0	60	670.10

**2-Speed EX 2 56-Frame Pumps**

Part No.	Description	HP - Full	Volts	Amps High Speed	Amps Low Speed	Hz	List (US \$)
<b>3720821-1W</b>	2" Intake - 2" Discharge	2	230	8.0	3.0	60	623.16
<b>3721621-1W</b>	2" Intake - 2" Discharge	3.0	230	12.0	4.4	60	725.89
<b>3M21621-1W</b>	2" Intake - 2" Discharge	3.0	230	12.0	4.4	60	725.89

**1-Speed EX 2 56-Frame Pumps**

Part No.	Description	HP - Full	Volts	Amps	Hz	List (US \$)
<b>3711621-1W</b>	2" Intake - 2" Discharge	3.0	230	12.0	60	690.73

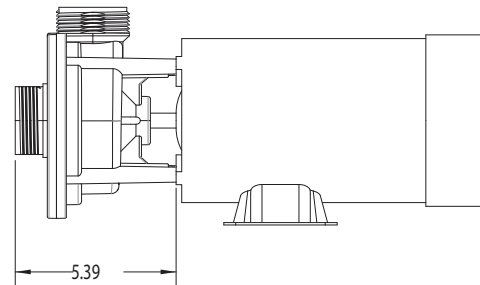
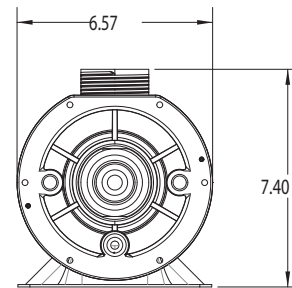
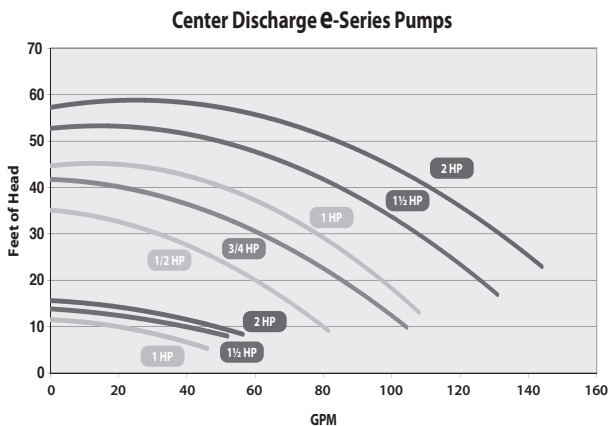


**FEATURES:**

- Reliable center discharge performance
- 1 1/2" intake and discharge
- Wet end can be rotated for easy installation
- Available in 3/4 to 2 HP, 1 or 2 speed
- Viton Seals
- 18 month warranty



For replacement parts, see page 266



## 2-Speed Center Discharge Spa Pumps

Part No.	HP	Volts	Amps High Speed	Amps Low Speed	Hz	Dimension "A"	List (US \$)
<b>3420310-15</b>	3/4	115	8.8	2.6	60	15.00"	511.82
<b>3420410-15</b>	1.0	115	11.0	2.9	60	15.00"	535.76
<b>3420610-15</b>	1.5	115	16.4	4.4	60	15.75"	585.03
<b>3420620-15</b>	1.5	230	8.0	2.6	60	15.73"	585.03
<b>3420820-15</b>	2.0	230	10.5	2.6	60	16.28"	619.88

## 1-Speed Center Discharge Spa Pumps

Part No.	HP	Volts	Amps	Hz	Dimension "A"	List (US \$)
<b>3410310-15</b>	3/4	115	9.8	60	14.00"	443.16
<b>3410410-15</b>	1.0	115	12.0	60	14.50"	462.56
<b>3410610-15</b>	1.5	115	17.0	60	15.05"	498.16
<b>3410830-15</b>	2.0	115/230	20-10	60	16.26"	570.47