

# CLEAR WATER II™

## Cartridge Filter and Filter Systems


**A standard cartridge filter system offering quality, value, and convenience.**

**The ClearWater II Cartridge Filter and Pump Standard System** provides homeowners with everything needed to get their system up and running. It assures them of matched components and optimal performance for years of dependable service.

**Features:**

- Large filtration, small footprint cartridge filter
- Hi-Flo High Performance Single or Dual Speed Pump
- Large 6" pump trap with clear lid
- Two 1 ½" diameter hoses with clamps
- Complete fittings package for all connections
- Dual Speed pump meets CEC Title 20 Code



  
LISTED  
(SWIMMING POOL  
OR SPA PUMP)  
7106

# Waterway™

2200 East Sturgis Road, Oxnard, California 93030 • Ph. 805-981-0262 • Fax 805-981-9403  
waterway@waterwayplastics.com • [www.waterwayplastics.com](http://www.waterwayplastics.com)



## ClearWater II Cartridge Filter Standard System with Hi-Flo 2-Speed Pump

Part No.	Filter	Filtration Area	Flow Rate	Pump	HP	Volts	Pool Turnover		
							6 Hours	8 Hours	
522-5107-3S	FC0757	75 sq. ft.	75 GPM	PH2100-3R	1.0	115	27,000	36,000	3 foot cord Twist-Lock plug
522-5127-3S	FC1007	100 sq. ft.	100 GPM	PH2100-3R	1.0	115	36,000	48,000	
522-5147-3S	FC1007	100 sq. ft.	100 GPM	PH2150-3R	1.5	115	36,000	48,000	
522-5157-3S	FC1257	125 sq. ft.	125 GPM	PH2150-3R	1.5	115	45,000	60,000	
522-5167-3S	FC1507	150 sq. ft.	150 GPM	PH2150-3R	1.5	115	54,000	72,000	
522-5187-3S	FC2007	200 sq. ft.	150 GPM	PH2150-3R	1.5	115	54,000	72,000	
522-5107-6S	FC0757	75 sq. ft.	75 GPM	PH2100-6R	1.0	115	27,000	36,000	6 foot cord 3-wire NEMA (regular) plug
522-5127-6S	FC1007	100 sq. ft.	100 GPM	PH2100-6R	1.0	115	36,000	48,000	
522-5147-6S	FC1007	100 sq. ft.	100 GPM	PH2150-6R	1.5	115	36,000	48,000	
522-5157-6S	FC1257	125 sq. ft.	125 GPM	PH2150-6R	1.5	115	45,000	60,000	
522-5167-6S	FC1507	150 sq. ft.	150 GPM	PH2150-6R	1.5	115	54,000	72,000	
522-5187-6S	FC2007	200 sq. ft.	150 GPM	PH2150-6R	1.5	115	54,000	72,000	

**Systems include:** 2 hoses (1 1/2" x 6 ft.) • hose fittings, hose clamps, union adapter • 3 ft. cord Twist Lock plug, or 6 ft. cord NEMA plug • one-piece base

## ClearWater II Cartridge Filter Standard System with Hi-Flo 1-Speed Pump

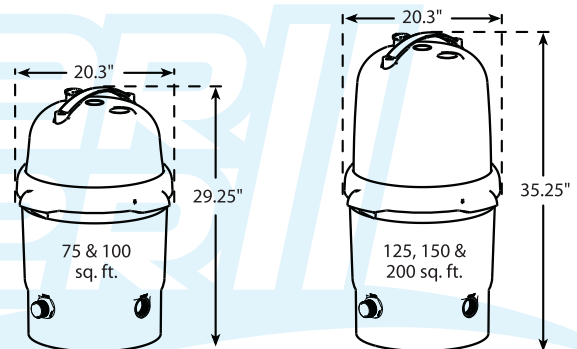
Part No.	Filter	Filtration Area	Flow Rate	Pump	HP	Volts	Pool Turnover		
							6 Hours	8 Hours	
520-5107-3S	FC0757	75 sq. ft.	75 GPM	PH1100-3R	1.0	115	27,000	36,000	3 foot cord Twist-Lock plug
520-5127-3S	FC1007	100 sq. ft.	100 GPM	PH1100-3R	1.0	115	36,000	48,000	
520-5147-3S	FC1007	100 sq. ft.	100 GPM	PH1150-3R	1.5	115	36,000	48,000	
520-5157-3S	FC1257	125 sq. ft.	125 GPM	PH1150-3R	1.5	115	45,000	60,000	
520-5167-3S	FC1507	150 sq. ft.	150 GPM	PH1150-3R	1.5	115	54,000	72,000	
520-5187-3S	FC2007	200 sq. ft.	150 GPM	PH1150-3R	1.5	115	54,000	72,000	
520-5107-6S	FC0757	75 sq. ft.	75 GPM	PH1100-6R	1.0	115	27,000	36,000	6 foot cord 3-wire NEMA (regular) plug
520-5127-6S	FC1007	100 sq. ft.	100 GPM	PH1100-6R	1.0	115	36,000	48,000	
520-5147-6S	FC1007	100 sq. ft.	100 GPM	PH1150-6R	1.5	115	36,000	48,000	
520-5157-6S	FC1257	125 sq. ft.	125 GPM	PH1150-6R	1.5	115	45,000	60,000	
520-5167-6S	FC1507	150 sq. ft.	150 GPM	PH1150-6R	1.5	115	54,000	72,000	
520-5187-6S	FC2007	200 sq. ft.	150 GPM	PH1150-6R	1.5	115	54,000	72,000	

**Systems include:** 2 hoses (1 1/2" x 6 ft.) • hose fittings, hose clamps, union adapter • 3 ft. cord Twist Lock plug, or 6 ft. cord NEMA plug • one-piece base

## ClearWater II Cartridge Filter Standard System (without Hi-Flo Pump)

Part No.	Filter	Filtration Area
520-5107	FC0757	75 sq. ft.
520-5127	FC1007	100 sq. ft.
520-5157	FC1257	125 sq. ft.
520-5167	FC1507	150 sq. ft.
520-5187	FC2007	200 sq. ft.

**Systems include:** 2 hoses (1 1/2" x 6 ft.) • hose fittings, hose clamps, union adapter • 3 ft. cord Twist Lock plug, or 6 ft. cord NEMA plug • one-piece base



# Waterway™

2200 East Sturgis Road, Oxnard, California 93030 • Ph. 805-981-0262 • Fax 805-981-9403  
 waterway@waterwayplastics.com • www.waterwayplastics.com

