

Designed for High Volume, Low Pressure Systems

The ideal choice for swim spas



The Viper pool and spa pump features a 90° rotating wet end for full versatility and is available in 2, 3 and 4 HP (Full Rated) models.



Waterway™

2200 East Sturgis Road, Oxnard, California 93030 • Ph. 805-981-0262 • Fax 805-981-9403
waterway@waterwayplastics.com • www.waterwayplastics.com

807-0059.1109

Be Sure it's
Genuine



© 2009 Waterway Plastics

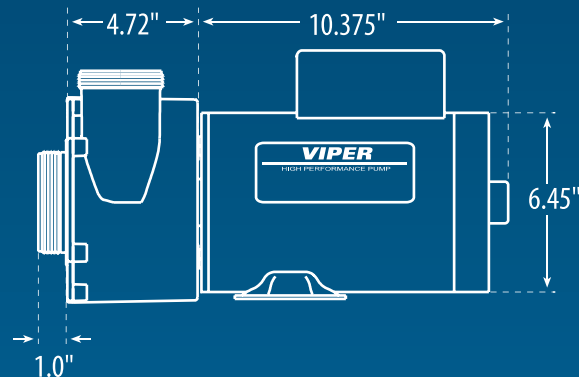
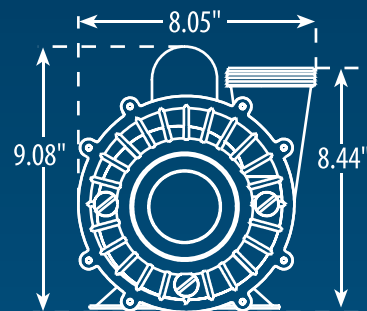
2-Speed Viper 56-Frame Pump



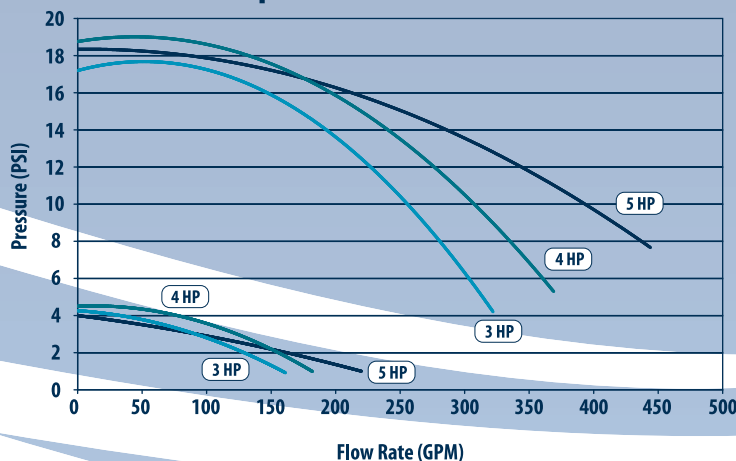
Part No.	HP - Full Rate	HP	Volts	Amps (High Speed)	Amps (Low Speed)	Hz
3721221-1V	2	3	230	10	3.5	60
3721621-1V	3	4	230	12	4.4	60
3722021-1V	4	5	230	16.4	4.8	60

FEATURES:

- Designed for low pressure, high volume systems
- Viper wet end designed specifically for 56-frame motors
- Large 8" diameter wet end allows for more volume
- Large 2 1/2" intake and discharge for improved flow performance and reduced noise
- Highly versatile wet end can be rotated every 90°
- 56-frame motor for added strength, cooler operating temperature and longer life
- Four sets of insulated windings for increased efficiency
- Two double shielded ball bearings with moisture resistant grease for quieter operation and longer life
- Split capacitor (start and run) for less energy consumption
- Thermally protected to extend life expectancy of motor
- Three year warranty on motor and wet end



Viper Performance Chart



2200 East Sturgis Road, Oxnard, California 93030 • Ph. 805-981-0262 • Fax 805-981-9403
 waterway@waterwayplastics.com • www.waterwayplastics.com

Be Sure it's
Genuine



© 2009 Waterway Plastics