

# CLEAR WATER II D.E.™

## This is True Spiral Laminar flow in an above ground filter.

Spiral Laminar flow ensures even distribution of D.E. for maximum filtration. The ClearWater II D.E. Filter features automatic regeneration, Waterway's Safety Lock Ring system for safe operation and maintenance, and a ten year warranty on its rugged glass-filled polymer body.

### Features:

- True Spiral Laminar flow for even disbursement of D.E.
- Automatic hydraulic regeneration
- High flow rate
- 1 ½" or 2" drain ports available
- Flush-mounted pressure gauge
- Low-profile air relief plug
- Modular grid system for easy maintenance
- Automatic air bleed capability
- Heavy-duty lid handle for easy servicing
- Dual Speed pump meets CEC Title 20 Code



# Waterway™

2200 East Sturgis Road, Oxnard, California 93030 • Ph. 805-981-0262 • Fax 805-981-9403  
waterway@waterwayplastics.com • [www.waterwayplastics.com](http://www.waterwayplastics.com)

Be Sure it's  
Genuine



## ClearWater II D.E. Filter Deluxe System with Supreme 1-Speed or 2-Speed Pump

| Part No.            | Filter | Filtration Area | Flow Rate | Pump       | Speed | HP  | Volts | Pool Turnover |         |
|---------------------|--------|-----------------|-----------|------------|-------|-----|-------|---------------|---------|
|                     |        |                 |           |            |       |     |       | 6 Hours       | 8 Hours |
| <b>FDS044107-3</b>  | FD12-7 | 12 sq. ft.      | 44 GPM    | PSP2100-3R | 2     | 1.0 | 115   | 15,840        | 21,120  |
| <b>FDS067107-3</b>  | FD18-7 | 18 sq. ft.      | 67 GPM    | PSP2100-3R | 2     | 1.0 | 115   | 24,120        | 32,160  |
| <b>FDS067157-3</b>  | FD18-7 | 18 sq. ft.      | 67 GPM    | PSP2150-3R | 2     | 1.5 | 115   | 24,120        | 32,160  |
| <b>FDS044107-3S</b> | FD12-7 | 12 sq. ft.      | 44 GPM    | PSP1100-3R | 1     | 1.0 | 115   | 15,840        | 21,120  |
| <b>FDS067107-3S</b> | FD18-7 | 18 sq. ft.      | 67 GPM    | PSP1100-3R | 1     | 1.0 | 115   | 24,120        | 32,160  |
| <b>FDS067157-3S</b> | FD18-7 | 18 sq. ft.      | 67 GPM    | PSP1150-3R | 1     | 1.5 | 115   | 24,120        | 32,160  |

3 foot cord - Twist-Lock plug

|                     |        |            |        |            |   |     |     |        |        |
|---------------------|--------|------------|--------|------------|---|-----|-----|--------|--------|
| <b>FDS044107-6</b>  | FD12-7 | 12 sq. ft. | 44 GPM | PSP2100-6R | 2 | 1.0 | 115 | 15,840 | 21,120 |
| <b>FDS067107-6</b>  | FD18-7 | 18 sq. ft. | 67 GPM | PSP2100-6R | 2 | 1.0 | 115 | 24,120 | 32,160 |
| <b>FDS067157-6</b>  | FD18-7 | 18 sq. ft. | 67 GPM | PSP2150-6R | 2 | 1.5 | 115 | 24,120 | 32,160 |
| <b>FDS044107-6S</b> | FD12-7 | 12 sq. ft. | 44 GPM | PSP1100-6R | 1 | 1.0 | 115 | 15,840 | 21,120 |
| <b>FDS067107-6S</b> | FD18-7 | 18 sq. ft. | 67 GPM | PSP1100-6R | 1 | 1.0 | 115 | 24,120 | 32,160 |
| <b>FDS067157-6S</b> | FD18-7 | 18 sq. ft. | 67 GPM | PSP1150-6R | 1 | 1.5 | 115 | 24,120 | 32,160 |

6 foot cord - 3-wire NEMA (regular) plug

**Systems include:** 2 hoses (1 1/2" x 6 ft.) • hose fittings, hose clamps, union adapter • 3 ft. cord Twist Lock plug, or 6 ft. cord NEMA plug • Gate valve • deluxe one-piece base

## ClearWater II D.E. Filter Standard System with Hi-Flo 1-Speed or 2-Speed Pump

| Part No.           | Filter | Filtration Area | Flow Rate | Pump      | Speed | HP  | Volts | Pool Turnover |         |
|--------------------|--------|-----------------|-----------|-----------|-------|-----|-------|---------------|---------|
|                    |        |                 |           |           |       |     |       | 6 Hours       | 8 Hours |
| <b>522-5007-3S</b> | FD12-7 | 12 sq. ft.      | 44 GPM    | PH2100-3R | 2     | 1.0 | 115   | 15,840        | 21,120  |
| <b>522-5027-3S</b> | FD18-7 | 18 sq. ft.      | 67 GPM    | PH2100-3R | 2     | 1.0 | 115   | 24,120        | 32,160  |
| <b>522-5037-3S</b> | FD18-7 | 18 sq. ft.      | 67 GPM    | PH2150-3R | 2     | 1.5 | 115   | 24,120        | 32,160  |
| <b>520-5007-3S</b> | FD12-7 | 12 sq. ft.      | 44 GPM    | PH1100-3R | 1     | 1.0 | 115   | 15,840        | 21,120  |
| <b>520-5027-3S</b> | FD18-7 | 18 sq. ft.      | 67 GPM    | PH1100-3R | 1     | 1.0 | 115   | 24,120        | 32,160  |
| <b>520-5037-3S</b> | FD18-7 | 18 sq. ft.      | 67 GPM    | PH1150-3R | 1     | 1.5 | 115   | 24,120        | 32,160  |

3 foot cord - Twist-Lock plug

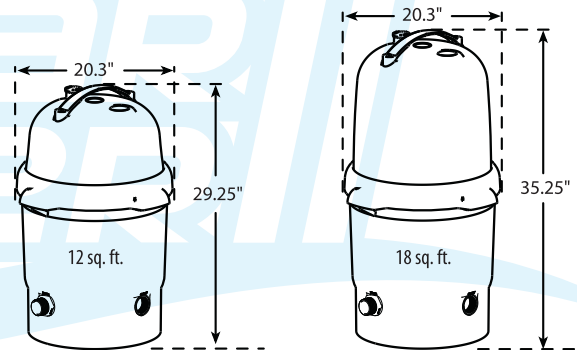
|                    |        |            |        |           |   |     |     |        |        |
|--------------------|--------|------------|--------|-----------|---|-----|-----|--------|--------|
| <b>522-5007-6S</b> | FD12-7 | 12 sq. ft. | 44 GPM | PH2100-6R | 2 | 1.0 | 115 | 15,840 | 21,120 |
| <b>522-5027-6S</b> | FD18-7 | 18 sq. ft. | 67 GPM | PH2100-6R | 2 | 1.0 | 115 | 24,120 | 32,160 |
| <b>522-5037-6S</b> | FD18-7 | 18 sq. ft. | 67 GPM | PH2150-6R | 2 | 1.5 | 115 | 24,120 | 32,160 |
| <b>520-5007-6S</b> | FD12-7 | 12 sq. ft. | 44 GPM | PH1100-6R | 1 | 1.0 | 115 | 15,840 | 21,120 |
| <b>520-5027-6S</b> | FD18-7 | 18 sq. ft. | 67 GPM | PH1100-6R | 1 | 1.0 | 115 | 24,120 | 32,160 |
| <b>520-5037-6S</b> | FD18-7 | 18 sq. ft. | 67 GPM | PH1150-6R | 1 | 1.5 | 115 | 24,120 | 32,160 |

6 foot cord - 3-wire NEMA (regular) plug

**Systems include:** 2 hoses (1 1/2" x 6 ft.) • hose fittings, hose clamps, union adapter • 3 ft. cord Twist Lock plug, or 6 ft. cord NEMA plug • Gate valve • standard one-piece base

### ClearWater II D.E. Filter Systems (without Supreme Pump)

|                 | Part No.        | Filter  | Filtration Area |
|-----------------|-----------------|---------|-----------------|
| <b>DELUXE</b>   | <b>FDS0447S</b> | FD12-7  | 12 sq. ft.      |
|                 | <b>FDS0677S</b> | FD18-7  | 18 sq. ft.      |
| <b>STANDARD</b> | <b>520-5007</b> | FD12-7  | 12 sq. ft.      |
|                 | <b>520-5027</b> | FD18-07 | 18 sq. ft.      |



**Systems include:** 2 hoses (1 1/2" x 6 ft.) • hose fittings, hose clamps, union adapter • Gate valve • accessory base

# Waterway™

2200 East Sturgis Road, Oxnard, California 93030 • Ph. 805-981-0262 • Fax 805-981-9403  
 waterway@waterwayplastics.com • www.waterwayplastics.com

