



**Clover Drain**

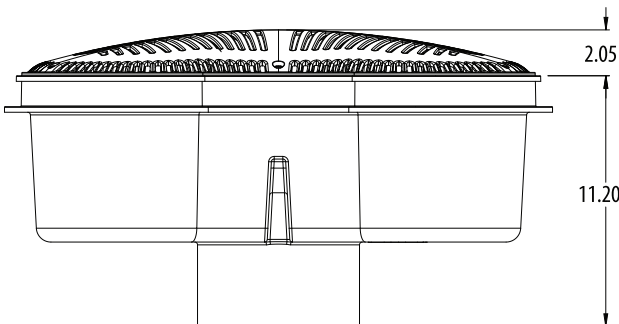
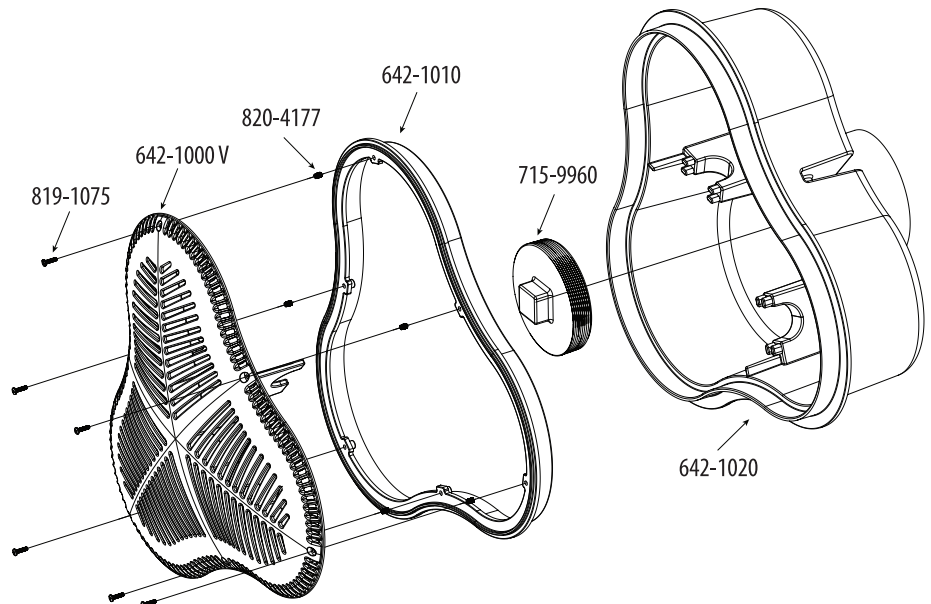
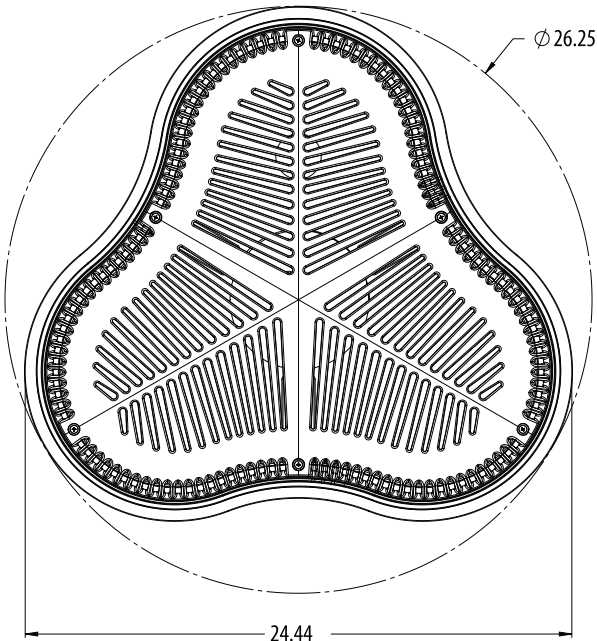
Waterway clover drains are compliant with the Virginia Graeme-Baker Pool and Spa Safety Act (ASME A112.19.8-2007 and ASME A112.19.8a-2008) and are NSF Certified. They are designed for single or multiple drain use. This drain assembly includes cover, sump frame, sump body, plug, and stainless steel screws.

The Waterway 640-1000 V series clover drain is available in:

- White



Model No.	Description	Size	Total Open Area Square Inches	Floor Flow Rate GPM	Wall Flow Rate GPM	Flow Rate GPM @ 1.5 ft/sec
640-1000 V	Clover Drain	Irregular	78.92	840 @ 3.71 ft/sec	508 @ 2.24 ft/sec	341.2



Part No.	Description
819-1075	#10-32 Stainless Steel Screw
642-1000 V	Clover Drain Cover
820-4177	Insert
642-1010	Clover Drain Sump Frame
715-9960	6" NPT Plug
642-1020	Clover Drain Sump Body

