



Super Maxi-Flo Suction for Skimmer Equalizer

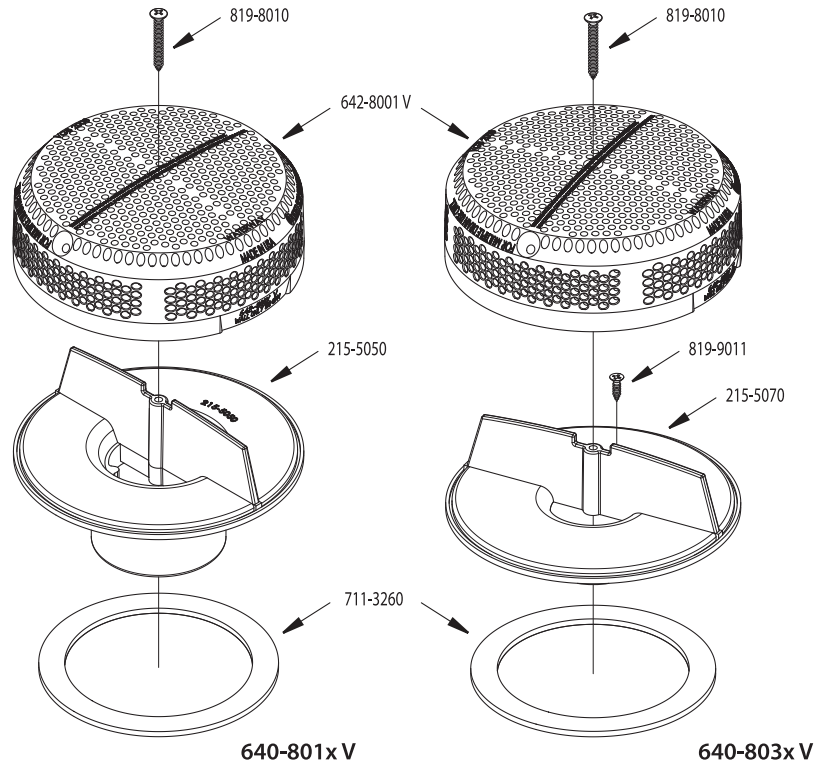
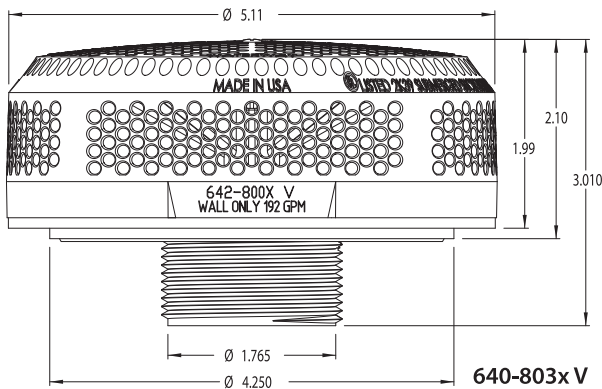
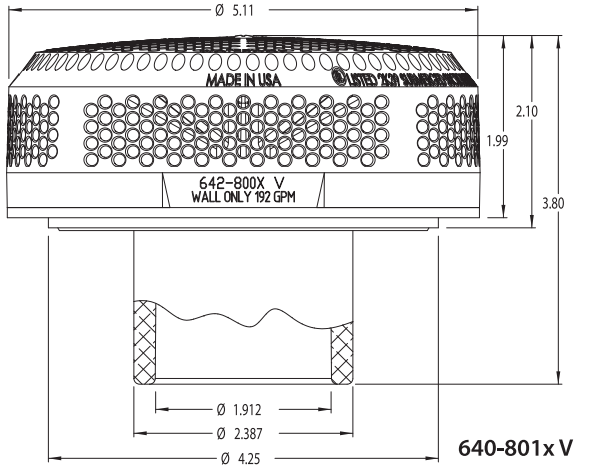
Waterway suction covers are compliant with the Virginia Graeme-Baker Pool and Spa Safety Act (ANSI/ASME A112.19.8-2008a) and are UL Certified. They are designed for single or multiple drain use. This suction assembly includes cover, wall fitting assembly, gasket, and stainless steel screws.

The Waterway Skimmer Equalizer series suction covers are available in:

- ☐ White
- Black
- Gray
- Dark Gray
- Beige



Model No.	Description	Size	Total Open Area Square Inches	Floor Flow Rate GPM	Wall Flow Rate GPM	Flow Rate GPM @ 1.5 ft/sec
640-801x V	1 1/2" S x 2" Spigot	5"	9.02	N/A	164 @ 5.85 ft/sec	42
640-803x V	1 1/2" MPT	5"	9.02	N/A	106 @ 3.79 ft/sec	42



Part No.	Description
819-8010	#8 Screw x 3/4"
642-8001 V	Suction Cover
215-5050	Wall Fitting - 2" Spigot x 1 1/2" S
711-3260	Gasket

Part No.	Description
819-8010	#8 Screw x 3/4"
642-8001 V	Suction Cover
819-9011	#6 Screw x 1/2"
215-5070	Wall Fitting - 1 1/2" MPT
711-3260	Gasket

