

400-1940



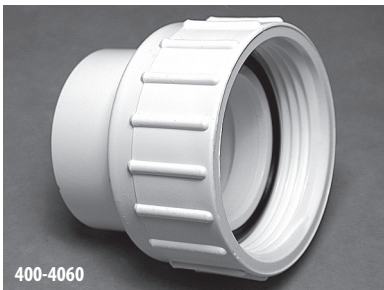
400-1950



400-1990

1" Pump Union Assemblies

Part No.	Description	Case Quantity	List (US \$)
400-1940	1" Union Nut with 3/4" RB Tailpiece and O-Ring	25	3.49
400-1950	1" Union Nut with 1/2" S Tailpiece and O-Ring	70	3.49
400-1960	1" Union Nut with 3/4" S Tailpiece and O-Ring	150	3.49
400-1970	1" Union Nut with 1" RB Tailpiece and O-Ring	40	3.49
400-1990	1" S Union Nut with 1" Slip Tailpiece and O-Ring	200	3.49



400-4060



400-2020



400-2010



400-4230



400-4240



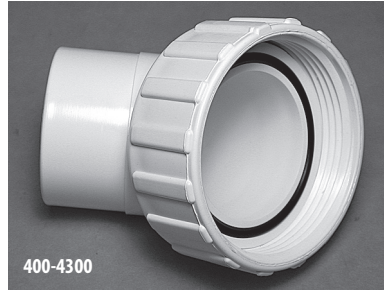
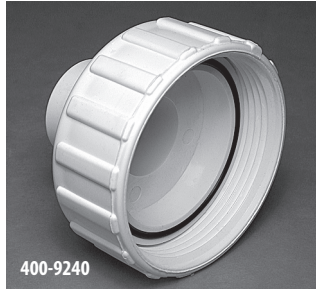
400-9280

1 1/2" Pump Union Assemblies

Part No.	Description	Case Quantity	List (US \$)
400-4060	1 1/2" Union Nut with 1 1/2" S Tailpiece and O-Ring	200	4.19
400-5640	1 1/2" Union Nut with 1 1/2" S Tailpiece and O-Ring with Gasket	200	4.44
400-2020	1 1/2" Union Nut with 1 1/2" Spigot / 1" S Tailpiece and O-Ring	200	5.23
400-2010	1 1/2" Union Nut with 50mm S Tailpiece and O-Ring	35	5.23
400-4230	1 1/2" Union Nut with 1 1/2" FPT Tailpiece and O-Ring	200	7.84
400-4510	1 1/2" Union Nut with 1 1/2" FPT Tailpiece and O-Ring with Gasket	200	8.10
400-4240	1 1/2" Union Nut with 1 1/2" Spigot Tailpiece and O-Ring	50	6.54
400-9280	1 1/2" Union Nut with 1 1/2" / 1 1/4" Hose Adapter and O-Ring	25	4.40



Unions / Pump Union Assemblies



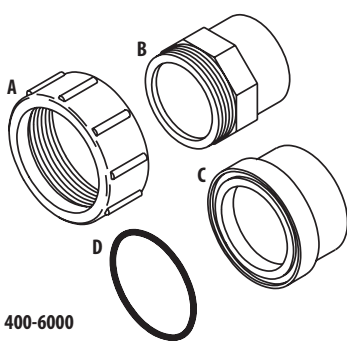
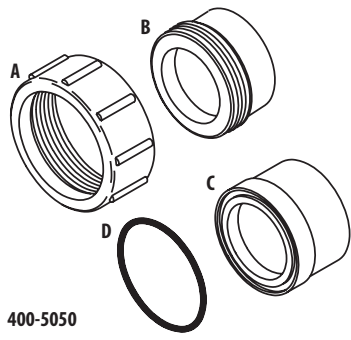
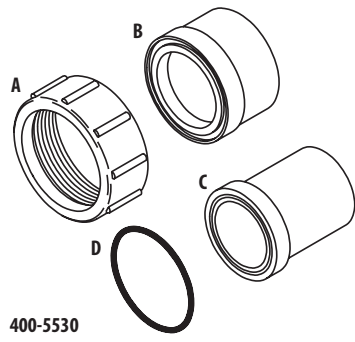
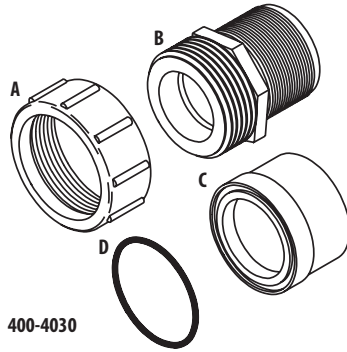
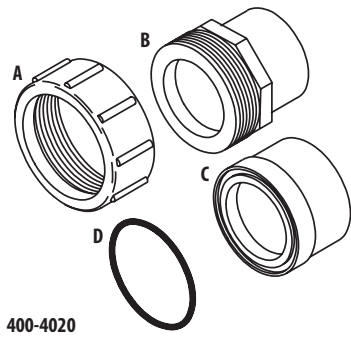
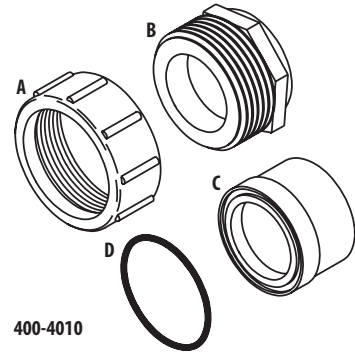
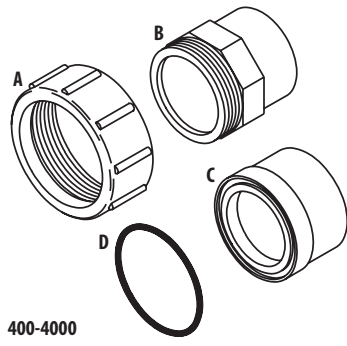
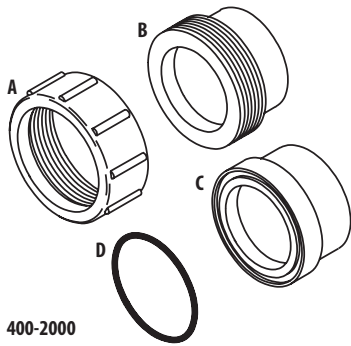
2" Pump Union Assemblies

Part No.	Description	Case Quantity	List (US \$)
400-5570	2" Union Nut with 2" S Tailpiece and O-Ring	140	6.29
400-5670	2" Union Nut with 2" S Tailpiece and O-Ring with Gasket	140	6.54
400-9240	2" Union Nut with 1 1/2" Hose Adapter and O-Ring	30	9.06
400-5800	2" Union Nut with 2" S Sweep Ell - 90° Tailpiece	40	8.16
400-5660	2" Union Nut with 1 1/2" FPT Nut Tailpiece and O-Ring	72	11.32
400-4300	2" Union Nut with 2" Spigot 45° Tailpiece and O-Ring	70	6.96
400-9230	2" Union Nut with 2" Spigot / 1 1/2" S Tailpiece and O-Ring	40	6.29
400-5680	2" Union Nut with 2" Spigot / 1 1/2" S Tailpiece and O-Ring with Gasket	140	6.54



2 1/2" Pump Union Assemblies

Part No.	Description	Case Quantity	List (US \$)
400-5990	2 1/2" Union Nut with 2" S Tailpiece and O-Ring	100	8.87
400-6010	2 1/2" Union Nut with 2 1/2" S Tailpiece and O-Ring	72	8.87
400-6021B	2 1/2" Union Nut x 2 1/2" S - Black (2 included with SVL56 pump)	72	9.95
400-5971B	2 1/2" Union Nut x 2" S - Black (2 included with SVL56 pump)	72	9.95



Union Assemblies

Part No.	Description	Part A	Part B	Part C	Part D	Case Quantity	List (US \$)
400-2000	Union Assembly - 1" S x 1" S	415-2000	417-2010	417-2020	805-0123	60	6.74
400-4000	Union Assembly #1 - 1 1/2" S x 1 1/2" S	415-4000	417-4010	417-4000	805-0226	100	6.74
400-4010	Union Assembly - 1 1/2" S x 1 1/2" S - Short	415-4000	417-4020	417-4000	805-0226	50	9.44
400-4020	Union Assembly #3 - 1 1/2" S x 1 1/2" Spigot	415-4000	417-4030	417-4000	805-0226	25	9.44
400-4030	Union Assembly - 1 1/2" MPT x 1 1/2" S	415-4000	417-4060	417-4000	805-0226	25	9.44
400-5530	Union Assembly - 2" Spigot / 1 1/2" S x 1 1/2" S	415-4000	417-4000	417-5080	805-0226	40	9.47
400-5050	Union Assembly #13 - 2" S x 2" S	415-5000	417-5040	417-5120	805-0229	25	10.80
400-6000	Union Assembly - 2 1/2" S x 2 1/2" S	415-6000	417-6010	417-6000	805-0232	36	13.86

Standard color is white. All fittings meet or exceed A.S.T.M. Schedule 40 standards.



Unions / Union Assemblies



400-4480

Swivel Union Assembly

Part No.	Description	Case Weight	Case Quantity	List (US \$)
400-4480	Swivel Union Assembly - 2" S x 2" Spigot	34.56 lbs.	45	22.99



400-5090



400-3090



400-5200

Self-Aligning Union Assemblies

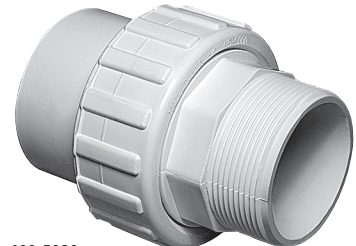
Part No.	Description	Case Weight	Case Quantity	List (US \$)
400-5090	Self-Aligning Union Assembly - 2" S x 2" S	32 lbs.	80	10.71
400-3090	Self-Aligning Union Assembly - 1 1/2" S x 1 1/2" S	34.8 lbs.	80	9.32
400-5200	Self-Aligning Union Assembly - 1 1/2" S x 2" S	34.8 lbs.	80	10.15



400-3070



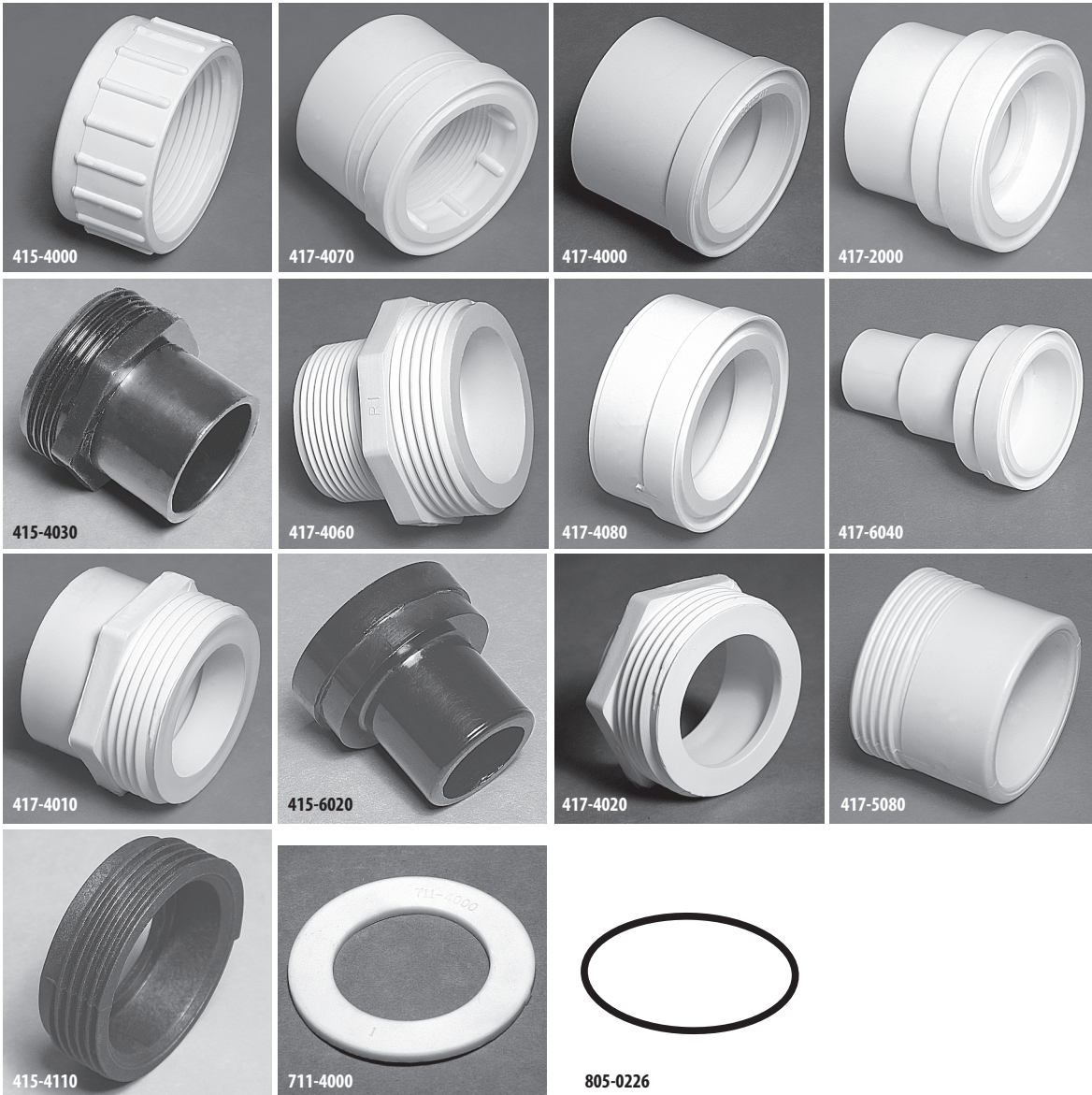
400-4160



400-5080

Union Assemblies

Part No.	Description	Case Weight	Case Quantity	List (US \$)
400-3070	Barbed Union Hose Adapter - 1 1/2" NPT x 1 1/2" (includes cap for winterization)	10 lbs.	30	10.83
400-4160	Union Assembly #23 - 1 1/2" FPT x 1 1/2" S	10.47 lbs.	25	10.80
400-5080	Union Assembly - 2" S x 2" MPT	35.63 lbs.	60	12.71

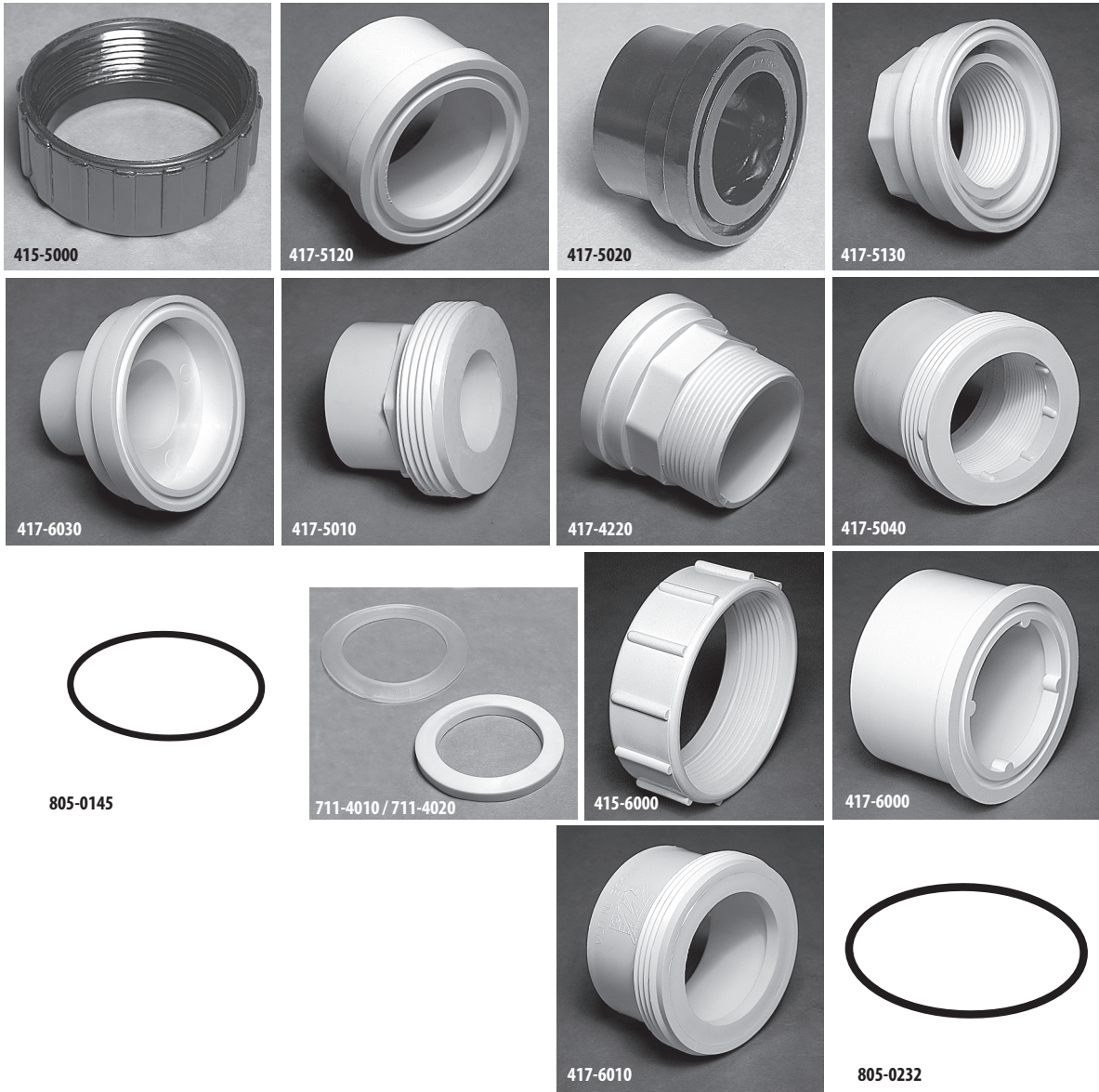


1 1/2" Union Components

Part No.	Description	Case Quantity	List (US \$)
415-4000	1 1/2" Union Nut	250	2.06
417-4070	1 1/2" Flange x 1 1/2" FPT Tailpiece	100	2.06
417-4000	1 1/2" Flange x 1 1/2" S Tailpiece	300	2.30
417-5500	1 1/2" Flange x 50mm S Tailpiece	100	2.06
417-2000	1 1/2" Flange x 1 1/2" Spigot / 1" S Tailpiece	50	4.93
417-4100	1 1/2" Flange x 1 1/2" Spigot	75	3.96
417-4030	1 1/2" Buttress Thread x 1 1/2" Spigot Tailpiece	230	2.06
417-4060	1 1/2" Buttress Thread x 1 1/2" MPT Tailpiece	200	2.15
417-4080	1 1/2" Flange x 1 1/2" S Tailpiece - Short	150	1.86
417-6040	1 1/2" Flange x 1 1/2" / 1 1/4" Hose Adapter Fitting	75	1.80
417-4010	1 1/2" Buttress Thread x 1 1/2" S Tailpiece	250	2.31
417-6020	1 1/2" Flange x 1 1/2" S Hose Adapter Fitting	50	2.24
417-4020	1 1/2" Buttress Thread x 1 1/2" S - Short	50	2.31
417-5080	1 1/2" Buttress Thread x 1 1/2" S x 2" Spigot Tailpiece	75	2.69
417-4110	1 1/2" Buttress x 1 1/2" S - Short	150	3.61
711-4000	1 1/2" Union Gasket	500	0.50
805-0226	O-Ring - 1 1/2" Tailpiece	100	0.49



Unions / 2 & 2 1/2" Union Components



2" and 2 1/2" Union Components

Part No.	Description	Case Quantity	List (US \$)
415-5000	2" Union Nut	180	3.14
417-5120	2" Flange x 2" S Tailpiece	50	3.27
417-5020	2" Flange x 2" Spigot / 1 1/2" S Tailpiece	100	3.63
417-5130	2" Flange x 1 1/2" FPT Nut Tailpiece	140	2.86
417-6050	2" Flange x 1 1/2" / 1 1/4" Hose Adapter Fitting	200	3.02
417-6030	2" Flange x 1 1/2" Hose Adapter Fitting	25	2.76
417-5010	2" Buttress Thread 2" Spigot / 1 1/2" S Tailpiece	150	3.63
417-4220	2" Flange x 2" MPT	50	6.39
417-5090	2" Flange Thread x 1 1/2" MPT Tailpiece	25	3.63
417-5040	2" Buttress Thread x 2" S Tailpiece	150	2.53
805-0145	O-Ring - 2" Heater Tailpiece	100	0.49
711-4010	2" Union Gasket	500	0.60
711-4020	1/4" Thick Gasket	500	1.09
415-6000	2 1/2" Union Nut	50	6.07
417-6000	2 1/2" Flange x 2 1/2" Socket	50	3.88
417-5970	2 1/2" Flange x 2" Socket	50	3.63
417-6010	2 1/2" Buttress Thread x 2 1/2" Socket	100	4.18
805-0232	O-Ring - 2 1/2" Heater Tailpiece	100	1.08



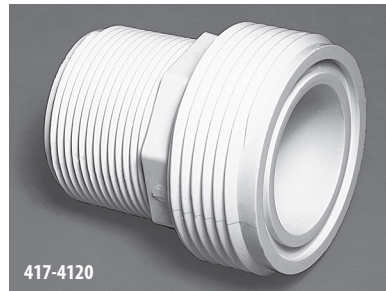
400-5491

1 1/2" Heater Union Nuts

Part No.	Description	Case Quantity	List (US \$)
400-5461	1 1/2" Heater Split Nut - with Screws	75	4.39
400-5491	1 1/2" Heater Split Nut - Long Assembly - with Screws	250	2.70
415-4021	1 1/2" Heater Split Nut - without Screws	250	1.73



417-4090



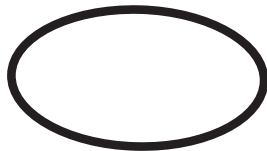
417-4120



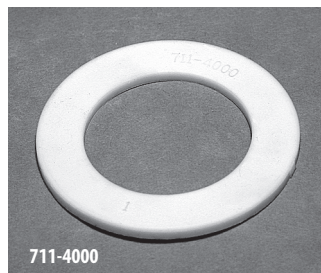
417-4050

1 1/2" Heater Union Tailpieces

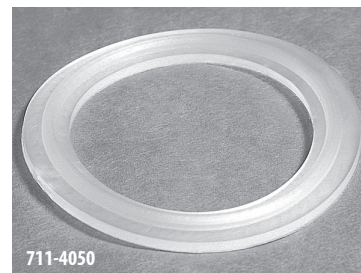
Part No.	Description	Case Quantity	List (US \$)
417-4090	1 1/2" Buttress Thread x 1 1/2" S Tailpiece	100	1.50
417-4120	1 1/2" Buttress Thread x 1 1/2" MPT Tailpiece	50	2.51
417-4050	1 1/2" Buttress Thread x 1 1/2" Spigot Tailpiece	75	1.50



805-0224



711-4000



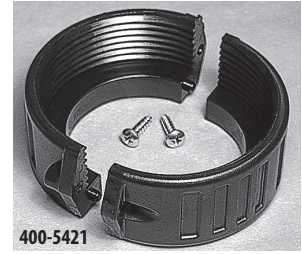
711-4050

1 1/2" Heater Union O-Ring Gaskets

Part No.	Description	Case Quantity	List (US \$)
805-0224	O-Ring - 1 1/2" Heater Tailpiece	500	0.49
711-4000	Gasket - 1 1/2" Heater Tailpiece	500	0.50
711-4050	O-Ring Gasket - 1 1/2" Heater Tailpiece	500	0.57

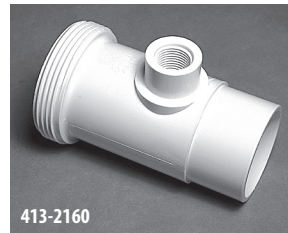
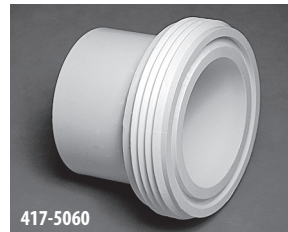


Unions / Heater Union Components



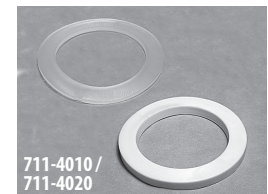
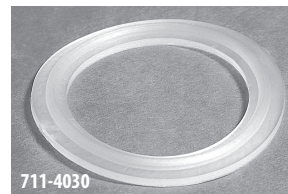
2" Heater Union Nuts

Part No.	Description	Case Quantity	List (US \$)
400-5421	2" Heater Split Nut - with Screws	100	2.51
415-5201	2" Heater Split Nut - without Screws	100	2.26



2" and 2 1/2" Heater Union Tailpieces

Part No.	Description	Case Quantity	List (US \$)
417-2090	2" Buttress Thread x 1 1/2" S Tailpiece	50	2.08
417-5050	2" Buttress Thread x 2" S Tailpiece	150	2.08
417-5157	2" Buttress Thread x 63mm S Tailpiece	50	2.08
417-5060	2" Buttress Thread x 2" Spigot Tailpiece	45	2.08
417-5070	2" Buttress Thread x 2" Spigot / 1 1/2" S Tailpiece	45	4.39
417-5140	2" Buttress Thread x 2" MPT Tailpiece	45	3.11
413-2160	Heater Flow Switch Tee - 2" Buttress Thread x 2" Spigot x 1/2" FPT	25	11.66
417-5180	2" Buttress Thread x 3/4" S / 1" Spigot	100	2.37
417-5980	2 1/2" Heater Buttress Tailpiece	100	4.31



2" and 2 1/2" Heater Union O-Rings and Gaskets

Part No.	Description	Case Quantity	List (US \$)
711-4020	1/4" Thick Gasket - 2" Heater Tailpiece	500	1.12
711-4010	Gasket - 2" Heater Tailpiece	500	0.62
805-0229	O-Ring - 2" Heater	500	0.61
711-4030	2" Heater Tailpiece Gasket - with O-Ring Rib	500	0.68
711-6020	2 1/2" Heater Union Gasket	500	0.50