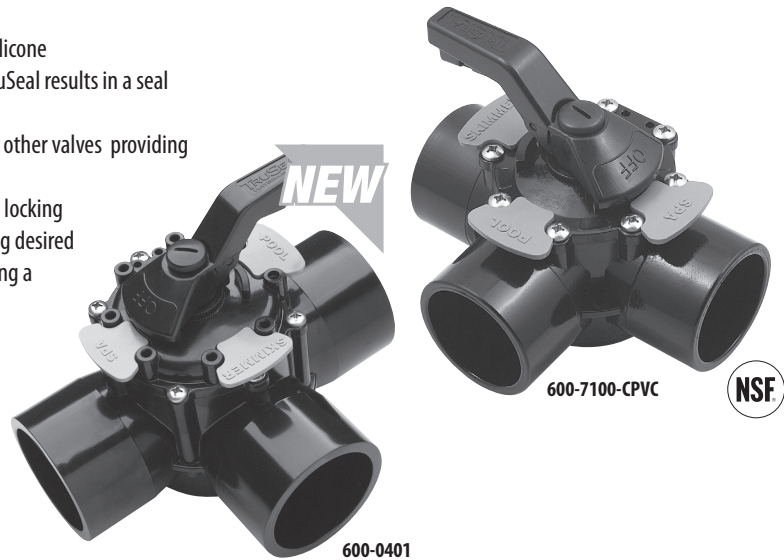




Pool Valves / TruSeal Diverter Valves and Swing Check Valves

FEATURES:

- Diverter valve seal is Teflon laminated silicone
- Unique manufacturing process called TruSeal results in a seal that never needs lubrication
- TruSeal Valves have deeper sockets than other valves providing better glue joint bonding
- The exclusive Click & Lock handle has 72 locking positions / points for virtually any setting desired
- Exclusive Flow Labels gives your plumbing a professional look and more value
- Universal shaft spline pattern adapts to most actuators
- Waterway manufacturers all TruSeal Diverter Valves in the USA
- Valve Seal Lifetime Warranty



Waterway positive seal diverter valves have been designed for the most demanding applications. The TruSeal Valve is loaded with features and there is not a longer warranty in the industry.

TruSeal Diverter Valves

Part No.	Description	List (US \$)
600-0401	3-Way - 2 1/2" Socket x 3" Spigot NEW	102.43
600-7100-CPVC	3-Way - 2" Socket x 2 1/2" Spigot - CPVC	89.49
600-7200-CPVC	3-Way - 1 1/2" Socket x 2" Spigot - CPVC	86.87
600-7060-CPVC	2-Way Straight - 2" Socket x 2 1/2" Spigot - CPVC	80.28
600-7070-CPVC	2-Way Straight - 1 1/2" Socket x 2" Spigot - CPVC	77.64
600-7040-CPVC	2-Way 90° - 2" Socket x 2 1/2" Spigot - CPVC	80.28
600-7050-CPVC	2-Way 90° - 1 1/2" Socket x 2" Spigot - CPVC	77.64

Waterway Check Valves have a clear lid with union lock ring and a bright seal flapper for easy inspection and quick access. The Waterway Check Valves have the swing design to be used for both return and intake water. CPVC Hi-Temp plastic body which features deeper sockets than others for better glue joints, and is available in a straight body or 90° style.

FEATURES:

- Union Lock Ring allows for easy access - no screw holes to strip out (excludes 600-0111)
- Seal flapper is made of hi-tech thermoplastic polymer
- Corrosion proof pin and stainless steel spring
- Reversible flow
- CPVC body for most demanding applications
- Low Back Pressure and High Flow characteristics make it perfect for hydraulically demanding applications



Swing Check Valves

Part No.	Description	Case Weight (lbs.)	Case Quantity	List (US \$)
600-0111	2 1/2" Socket x 3" Spigot - Straight Body NEW	12.82	5	80.12
600-7010	2" Socket x 2 1/2" Spigot - Straight Body - CPVC	26.61	20	63.72
600-7030	1 1/2" Socket x 2" Spigot - Straight Body - CPVC	26.61	20	61.21
600-7000	2" Socket x 2 1/2" Spigot - 90° Body - CPVC	23.09	18	63.72
600-7020	1 1/2" Socket x 2" Spigot - 90° Body - CPVC	23.09	18	61.21



FEATURES:

- Durable ABS body
- 7 functions:
 1. Filter
 2. Waste
 3. Backwash
 4. Recirculate
 5. Winterize
 6. Rinse
 7. Closed
- Collar Style retrofits standard sand filter bodies



Collar Style (WVS002)



Split-Nut Style (WVS003)

Easy-glide action and lock-in-place handle simplifies filter maintenance. These valves feature 7 functions with hose fitting for waste water.

Top Mount Sand Filter Valves

Part No.	Description	Weight (lbs.)	List (US \$)
WVS002	1 1/2" Top-Mount 7-Function Sand Filter Valve - Collar Style (Previous to 2002)	5	137.77
WVS003	1 1/2" Top-Mount 7-Function Sand Filter Valve - Split-Nut Style (2002 to Present)	5	137.77

FEATURES:

- Gate valve action
- 1 1/2" buttress union on one side and 1 1/2" smooth hose on the other
- 3/8" barbed fitting to accommodate offline chlorinators
- Internals are all corrosion-resistant plastics



417-4161



WV001H

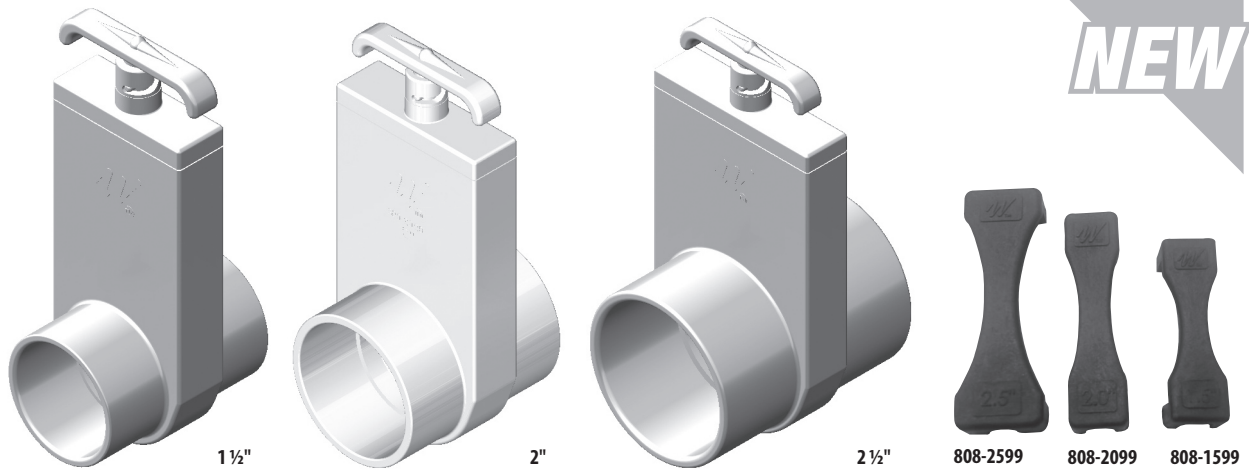
Designed to isolate the above-ground pool system to aid in maintenance and service, No-Flo gate-style valves install easily. The valve features a 3/8" barbed fitting to accommodate an offline chlorinator.

No-Flo Gate Valves

Part No.	Description	List (US \$)
WV001H	Gate Valve with 1 1/2" Union x 1 1/2" Hose Adapter	26.33
417-4161	Union Tailpiece - 1 1/2" NPT x 1 1/2" (Black)	4.34
805-0224	O-Ring for 1 1/2" Heater Union Tailpiece (417-4161)	0.49
711-4000	1 1/2" Union Gasket	0.50



Spa Valves / Slice Valves & Gate Valves



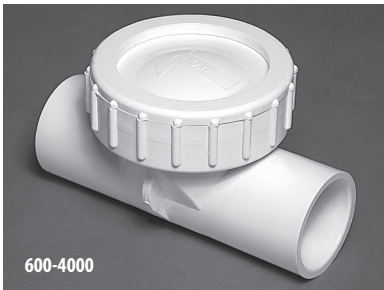
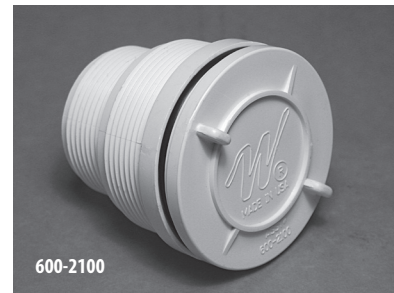
Slice Valves		
Part No.	Description	List (US \$)
880-1500	1 1/2" Slice Valve - 1 1/2" S x 1 1/2" Spigot	15.11
880-1510	1 1/2" Slice Valve - 1 1/2" Spigot x 1 1/2" Spigot	15.11
880-2020	2" Slice Valve - 2" S x 2" S	18.88
880-2010	2" Slice Valve - 2" Spigot x 2" Spigot	18.88
880-2000	2" Slice Valve - 2" Spigot x 2" S	18.88
880-2500	2 1/2" Slice Valve - 2 1/2" S x 2 1/2" Spigot	29.18
880-2520	2 1/2" Slice Valve - 2 1/2" S x 2 1/2" S	29.18
880-1599	Clip for 1 1/2" Slice Valve	0.69
880-2099	Clip for 2" Slice Valve	0.87
880-2599	Clip for 2 1/2" Slice Valve	1.03

FEATURES:

- Adjustable flow control
- Easy to adjust in tight places
- Requires less overhead space to turn on/off compared to slice valve
- 100% shut off
- No metal parts in contact with the water for a non-corrosive gate valve
- Waterway manufacturers all TruSeal Gate Valves in the U.S.A.



Gate Valves				
Part No.	Description	Color	Case Quantity	List (US \$)
600-2370	Gate Valve - 2" S x 2" S	Clear	20	26.14
600-2380	Gate Valve - 2" S x 2" Spigot	Clear	20	26.14
600-2300	Gate Valve - 2 1/2" S x 2 1/2" Spigot	Clear	18	27.42
600-2340	Gate Valve - 3" S x 3" S	Clear	15	33.56
600-2350	Gate Valve - 3" S x 3" Spigot	Clear	15	33.56



Check Valves

Part No.	Description	Case Quantity	List (US \$)
600-8140	Air Check Valve - ¼ lb. Spring - 1 ½" S x 1 ½" S	50	16.19
600-8160	Air Check Valve - ¼ lb. Spring - 2" Spigot x 2" Spigot	50	17.00
600-8150	Water Bypass Valve - 8 lb. Spring - 1 ½" S x 1 ½" S (standard color is black)	50	22.46
550-6810	Flapper Check Valve Body - 1.25 - 2 lbs. Spring - 2" S x 2" S	72	11.63
550-6800	Flapper Check Valve Body - 2.5 - 8 lbs. Spring - 2" S x 2" S	72	11.63
600-2100	Hydrostatic Relief Valve - 1 ½" / 2" MPT	200	13.97
600-4000	Flapper Check Valve - Tee - 1" S x 1" S (standard color is white)	80	13.91
600-5000	Check Valve Assembly - Tee - 1" S x 1" S	140	8.16
600-5080	Cross Check Valve Assembly - 3/4" Smooth Barb	60	6.13
670-1100	1" Check Valve with Flapper Assembly <small>NEW</small>	200	4.33



U-Bends

Part No.	Description	Case Quantity	List (US \$)
429-4000	U-Bend - 1 ½" S x 1 ½" S	50	6.11
429-4030	U-Bend - 2" S x 2" S	40	9.08
400-4130	2" Sweep Vent Grate Assembly	12	9.48