



**POWER Defender**  
**125**  
VARIABLE SPEED PUMP

**NEW!**

*Dual Voltage 115V / 230V.  
Full 1.25HP at Both Voltages!*



*For unions, see page 58.*

**FEATURES:**

- High Performance and Ultra Quiet Variable Speed Pool & Spa Pump provides you with up to 90% energy savings.
- Innovative, Patent Pending technology automatically actuates a Diverter Valve to direct the flow of water to the Pressure Pool Cleaner and increase the pump speed and pressure.
- Built in Pool Control – to automatically schedule your pool operation, run the pumps in designated speed, and actuate Diverter Valves to run in Pool Filtration, Spill Over and Spa mode.
- The latest technology Variable Speed Motors, totally enclosed construction with a powerful external fan – protects the motor against dirt and moisture and provides for extremely cool operation of the motor.
- User friendly key pad and programming.
- Two Swivel Unions and Adjustable Base Kit included with pump.



**Adjustable Base included. Ideal when replacing or plumbing Sta-Rite, Hayward or Pentair pumps in the field.**

675-1380 See Page 55.

Pool Pumps

Smart **energy solutions** for the Pool & Spa industry.

**Power Defender 125 - Variable Speed Pump**

Part No.	Description	Volts	HP	List (US \$)
<b>PD-VPA125</b>	Power Defender 1.25 HP Variable Speed Pump 3 in 1 Combo (Pool Control)	115/230	1.25	--
<b>PD-VSA125</b>	Power Defender 1.25 HP Variable Speed Pump	115/230	1.25	--
<b>PD-VAG125</b>	Power Defender 1.25 HP Variable Speed Pump (Above Ground)	115/230	1.25	--

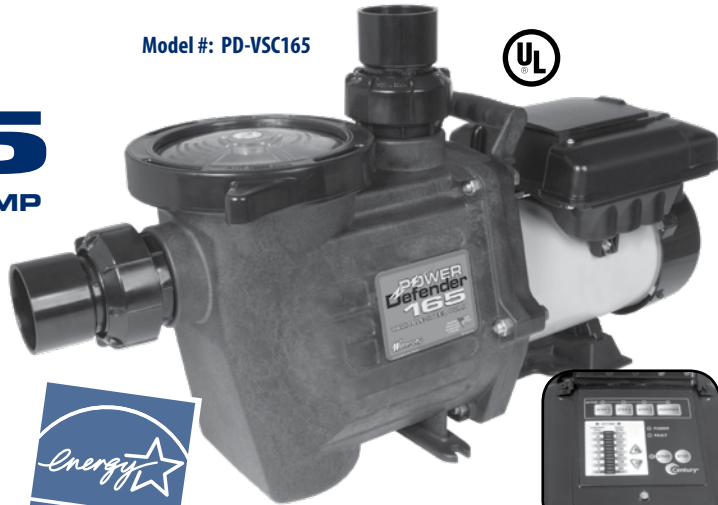
*Contact your Sales Representative for pricing.*



# Pool Pumps - In-Ground / Power Defender 165 Variable Speed

## POWER Defender 165 VARIABLE SPEED PUMP

Model #: PD-VSC165



*Comes complete with 2 Swivel Union Assemblies & Adjustable Base Kit*

*Great for precise alignment and plumbing versatility!*



For replacement parts, see page 278.  
For unions, see page 58.

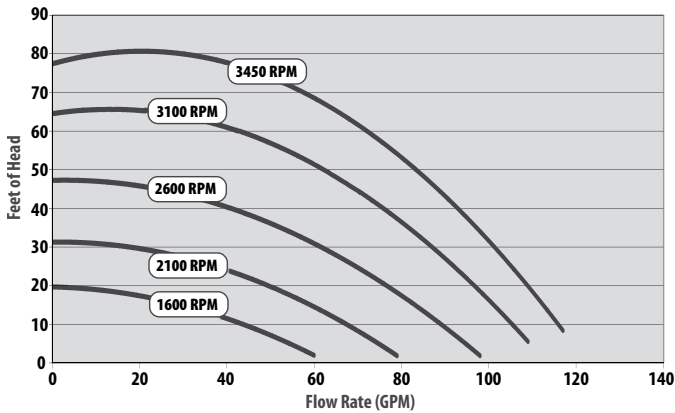


Built-in Programmable User Interface with Timer

### FEATURES:

- Maximum 1.65HP
- Timer Mode
- Full Variable Speed (600-3450 RPM)
- Freeze Protection
- Program Memory Back-up
- Keypad Lockout Feature
- 2" Swivel Unions (included)
- Adjustable Base (included)
- Easy replacement for most brand pumps
- Works great with Waterway Oasis Pool & Spa Control as well as competitive control systems
- Silicone carbide seals

Power Defender 1.65 HP – Performance Curves

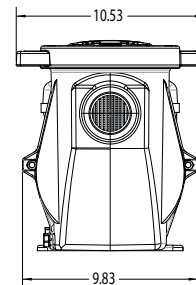
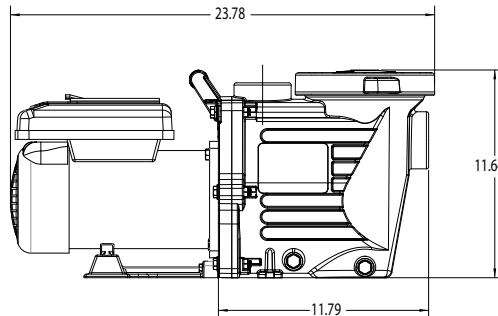


Adjustable Base included. Ideal when replacing or plumbing Sta-Rite, Hayward or Pentair pumps in the field.

675-1380 See Page 55.



Smart **energy solutions** for the Pool & Spa industry.



### Power Defender 165 - Variable Speed Pump

Part No.	Description	Volts	HP	List (US \$)
PD-VSC165	Power Defender 1.65 HP Variable Speed Pump	230	1.65 HP	1,944.79
PD-VSC1165	Power Defender 1.65 HP Variable Speed Pump	110	1.65 HP	1,944.79



**POWER Defender 270**  
VARIABLE SPEED PUMP

Model #: PD-VSC270



*Comes complete with 2 Swivel Union Assemblies & Adjustable Base Kit  
Great for precise alignment and plumbing versatility!*

**FEATURES:**

- Pump is pressure testable up to 50 PSI
- User-Friendly programming
- Optional off-board mounting of controls.
- Ability to install and program additional load (booster pump, chlorine generator)
- Display is easy to view in any light
- 2" Swivel Unions (included)
- Compliant with all energy legislation. Meets Title 20 & Title 24 regulations
- Super quiet operation
- Built-in freeze protection
- Silicone carbide seals



Built-in Programmable User Interface with Timer

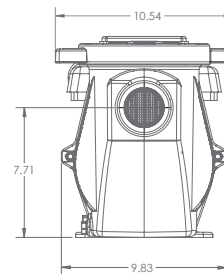
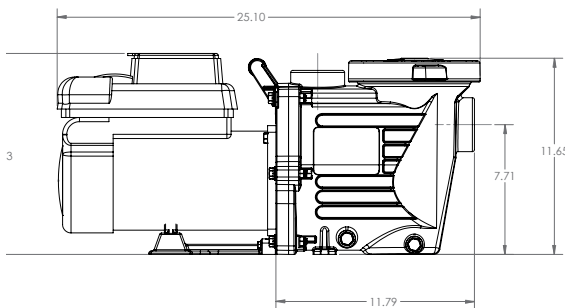
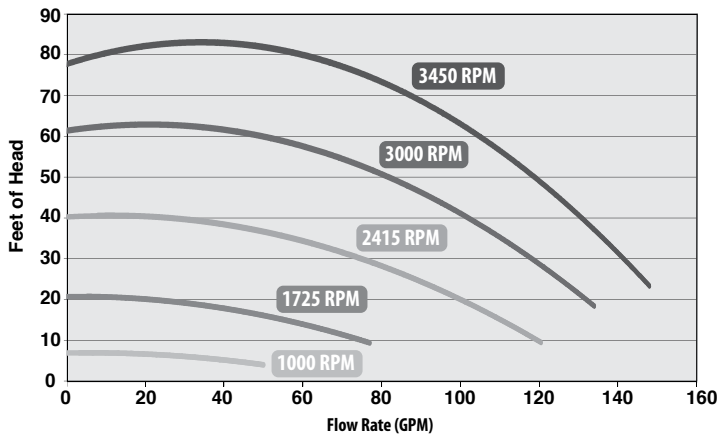
For replacement parts, see page 280.  
For unions, see page 58.



Adjustable Base included. Ideal when replacing or plumbing Sta-Rite, Hayward or Pentair pumps in the field.

675-1380 See Page 55.

**Power Defender 2.7 HP Pump - Performance Curves**



Smart **energy solutions** for the Pool & Spa industry.

**Power Defender 270 - Variable Speed Pump**

Part No.	Description	Volts	HP	Weight (lbs.)	List (US \$)
<b>PD-VSC270</b>	Power Defender 2.7 HP Variable Speed Pump	230	2.7 Total HP	60	2,781.46

Pool Pumps



# Pool Pumps - In-Ground / Power Defender 300 Variable Speed

## POWER Defender 300 VARIABLE SPEED PUMP

Model #: PD-VSC300



*Introducing the latest generation of 3 HP In-ground Pool Pumps*

### FEATURES:

- Built-in and programmable variable frequency drive that can be rotated 180° for easy servicing
- Direct drop-in for other manufacturer's single, 2-speed or variable speed pumps
- Proven performance wet end with large trap basket and easy access two-piece lid
- Simple programming with up to 4 scheduled filter setting
- Works with Waterway Oasis Pool & Spa Control
- Silicone carbide seals, Viton bellows, 316SS casing for superior protection from bromine, chlorine, hydrogen peroxide and salt
- 2" Swivel Unions (included)



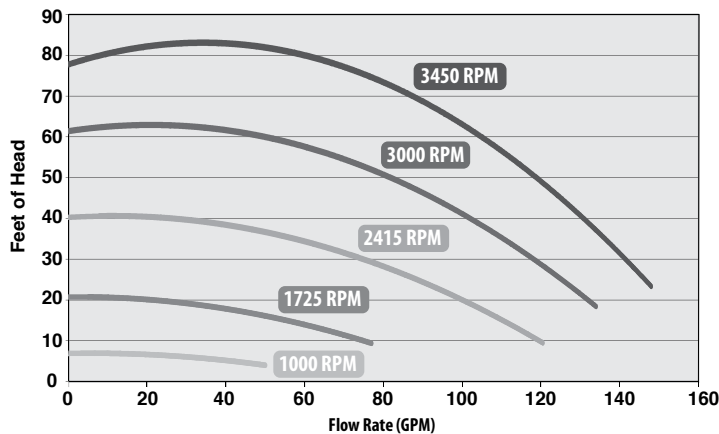
For replacement parts, see page 282.  
For unions, see page 58.



Built-in Programmable User Interface with Timer

Pool Pumps

Power Defender 3.0 HP Pump - Performance Curves

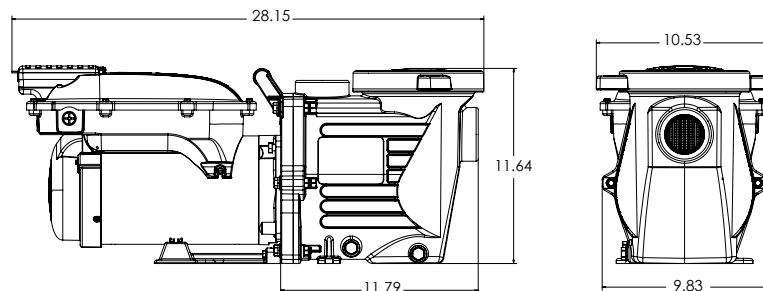


Adjustable Base included. Ideal when replacing or plumbing Sta-Rite, Hayward or Pentair pumps in the field.

675-1380 See Page 55.



Smart energy solutions for the Pool & Spa industry.



### Power Defender 300 - Variable Speed Pump

Part No.	Description	Volts	HP	List (US \$)
PD-VSC300	Power Defender 3.0 HP Variable Speed Pump	230	3.0 HP	2,528.98



**POWER Defender**  
**300(SVL)**  
**VARIABLE SPEED PUMP**

*Silent operation, extreme vertical lift, variable speed... all in one pump!*

**FEATURES:**

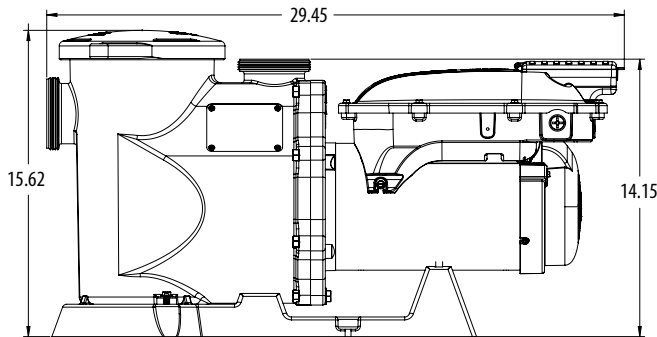
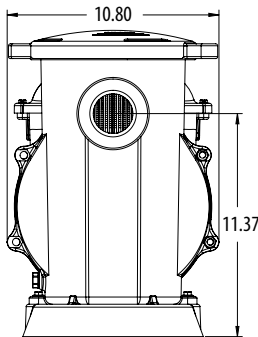
- Provides 24' of lift (above water level) compared to the industry standard of 10'
- 3 HP, 13.5 amps, 230 VAC
- Built-in and programmable variable frequency drive that can be rotated 180° for easy access and serviceability
- Proven SVL wet end
- Silicone carbide seals, Viton bellows, 316SS casing for superior protection from bromine, chlorine, hydrogen peroxide and salt



- Water-proof construction with heavy-duty die-cast housing
- Works great as stand-alone pump, or with Waterway Oasis Pool/Spa Control

*For replacement parts, see page 276.*

*For unions, see page 58.*



Smart **energy solutions** for the Pool & Spa industry.

**Power Defender SVL300**

Part No.	Description	Volts	HP	Weight (lbs.)	List (US \$)
<b>PD-VSA300</b>	Power Defender SVL300	230VAC	3	13.5	2,623.86



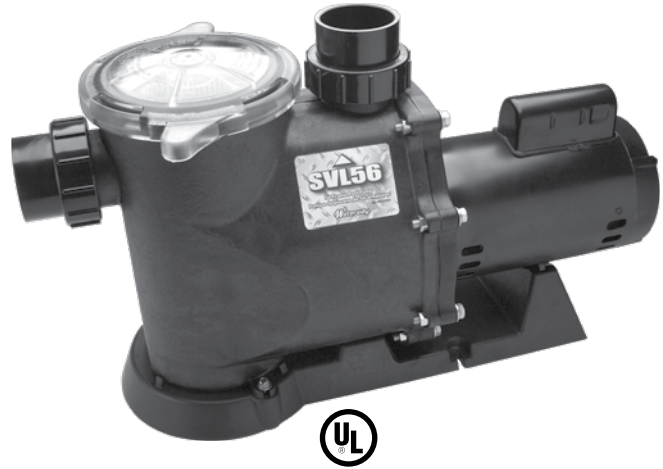
# Pool Pumps - In-Ground / SVL56 - High Flow - 56-Frame

Pool Pumps

The extraordinary quietness of the SVL56 moves us nearer to the goal of silent operation, and it provides by far the best vertical lift. A true 56-frame motor ensures long life and uninterrupted power. Attention to detail is evident in the design of this proven pump. Designed for easy serviceability and installation, the pump accepts either 2" or 2 1/2" plumbing connections and features dual bearings for cooler operating temperature. This pump will provide years of trouble-free performance.

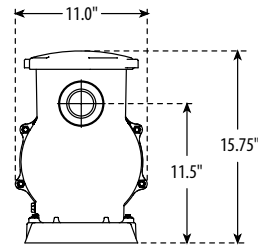
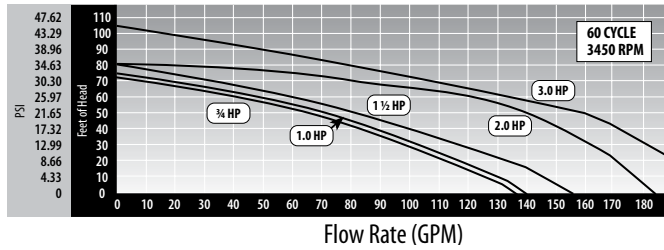
### FEATURES:

- Extremely quiet operation
- Self-priming
- Vertical lift of 24 ft.
- Easy to service
- True 56-frame motor for cooler running and longer life
- 2 1/2" union threads x 2" FPT with unions (included)
- Large trap basket with cam-lock lid
- 60 Hz rating
- Silicone carbide seals

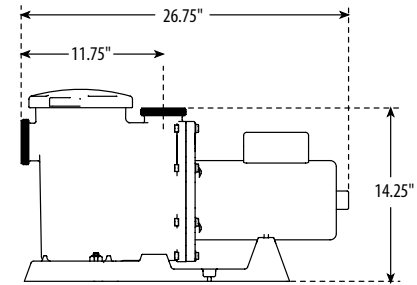
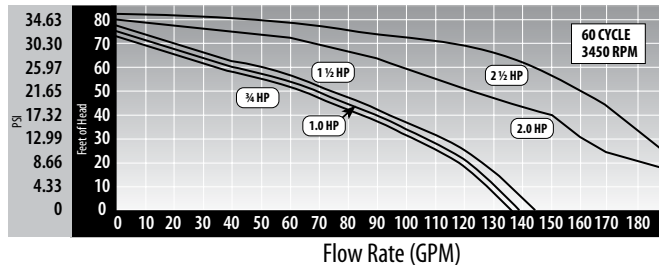


For replacement parts, see page 274.  
For unions, see page 58.

## HIGH PERFORMANCE PRESSURE VERSUS FLOW RATE



## STANDARD PERFORMANCE PRESSURE VERSUS FLOW RATE



### High Performance - Full Rated

Part No.	Description	Volts	HP	Weight (lbs.)	List (US \$)
SVL56E-110	1-Speed - 2" or 2 1/2" Intake and Discharge	115 / 230	1.0	57	1,431.62
SVL56E-115	1-Speed - 2" or 2 1/2" Intake and Discharge	230	1.5	51	1,548.67
SVL56E-120	1-Speed - 2" or 2 1/2" Intake and Discharge	230	2.0	54	1,722.44
SVL56E-130	1-Speed - 2" or 2 1/2" Intake and Discharge	230	3.0	65	2,206.58

### Standard Performance - Maximum Rated

Part No.	Description	Volts	HP	Weight (lbs.)	List (US \$)
SVL56S-110	1-Speed - 2" or 2 1/2" Intake and Discharge	115 / 230	1.0	57	1,193.97
SVL56S-115	1-Speed - 2" or 2 1/2" Intake and Discharge	115 / 230	1.5	51	1,261.35
SVL56S-120	1-Speed - 2" or 2 1/2" Intake and Discharge	230	2.0	54	1,438.72
SVL56S-125	1-Speed - 2" or 2 1/2" Intake and Discharge	230	2.5	61	1,697.62
SVL56S-215	2-Speed - 2" or 2 1/2" Intake and Discharge	230	1.5	61	1,545.09
SVL56S-220	2-Speed - 2" or 2 1/2" Intake and Discharge	230	2.0	65	1,603.65



**FEATURES:**

- Quiet operation
- Self-priming
- 2" FPT intake and discharge
- 2" Swivel Unions (included)
- Easy to service
- True 56-frame motor for cooler running and longer life
- Large trap basket with cam-lock lid
- 60 Hz rating
- Silicone carbide seals

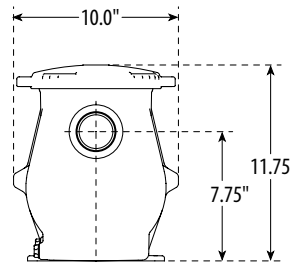
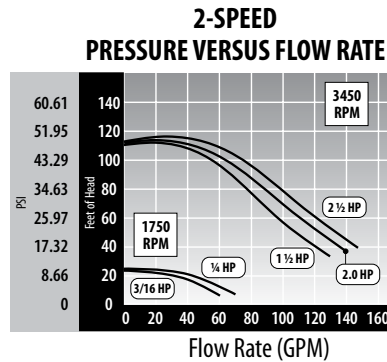
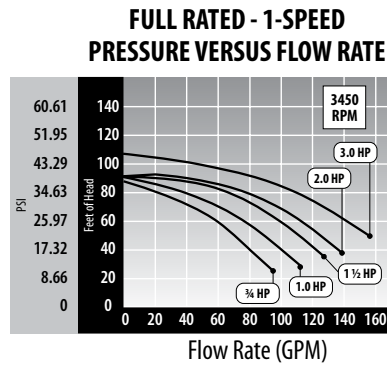
**Comes complete with  
2 Swivel Union Assemblies  
& Adjustable Base Kit**

*Great for precise  
alignment & plumbing  
versatility!*

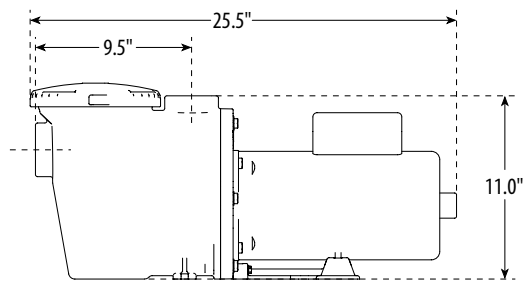


For replacement parts, see page 286.  
For unions, see page 58.

*The Champion High Performance Pump is compatible with all cleaning systems, various filters and jet action spas. The Champion Pump is ideal for new installations and as a replacement pump due to its dimensions.*



**Adjustable Base included. Ideal when replacing or plumbing Sta-Rite, Hayward or Pentair pumps in the field.**  
675-1380 See Page 55.



**High Performance - Full Rated**

Part No.	Description	Volts	HP	Weight (lbs.)	List (US \$)
<b>CHAMPE-107</b>	1-Speed	115/230	3/4	40	1,244.73
<b>CHAMPE-110</b>	1-Speed	115/230	1.0	35	1,341.43
<b>CHAMPE-115</b>	1-Speed	230	1.5	35	1,470.33
<b>CHAMPE-120</b>	1-Speed	230	2.0	39	1,654.39

**Standard Performance - Maximum Rated**

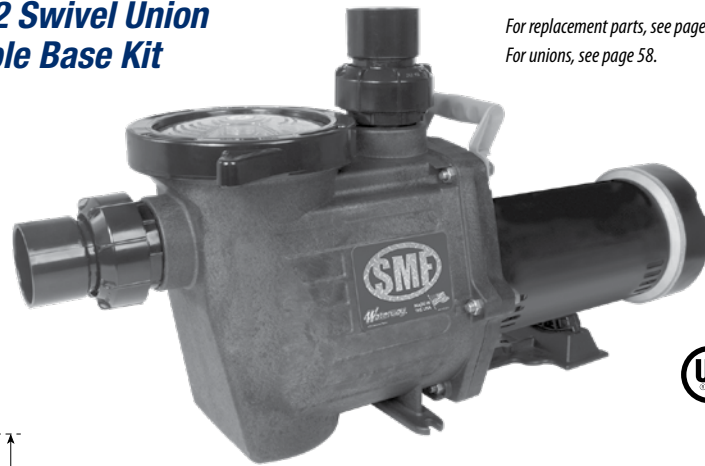
Part No.	Description	Volts	HP	Weight (lbs.)	List (US \$)
<b>CHAMPS-107</b>	1-Speed	115/230	3/4	33	1,092.08
<b>CHAMPS-110</b>	1-Speed	115/230	1.0	40	1,148.02
<b>CHAMPS-115</b>	1-Speed	115/230	1.5	39	1,211.67
<b>CHAMPS-120</b>	1-Speed	115/230	2.0	52	1,343.11
<b>CHAMPS-125</b>	1-Speed	230	2.5	42	1,622.99
<b>CHAMPS-215</b>	2-Speed	230	1.5	46	1,557.07
<b>CHAMPS-220</b>	2-Speed	230	2.0	45	1,640.14



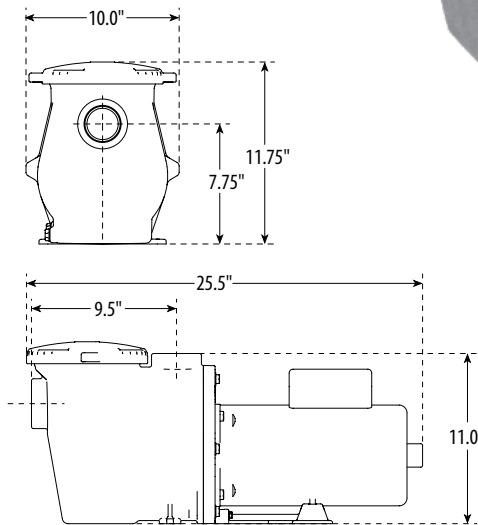
## Pool Pumps - In-Ground / SMF

### Comes complete with 2 Swivel Union Assemblies & Adjustable Base Kit

Great for precise alignment and plumbing versatility!



For replacement parts, see page 284.  
For unions, see page 58.



#### FEATURES:

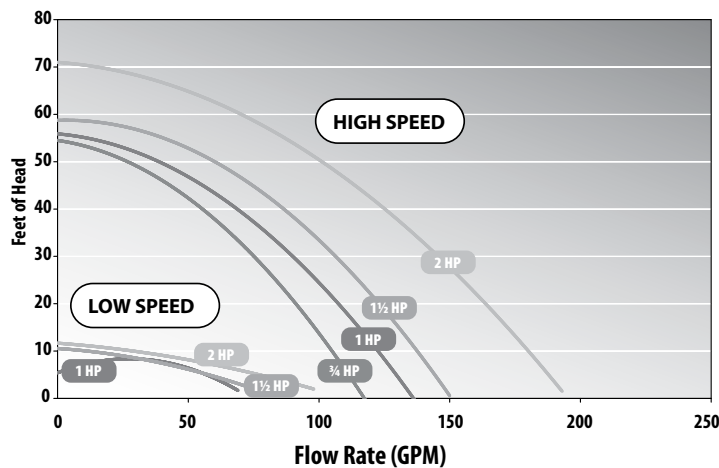
- Super quiet operation
- 2" Swivel Unions included (Intake/Discharge)
- One piece pot and volute reduce noise
- Lower flow rates for more versatile installations
- 1.5" x 2" Bushings included
- Silicone carbide seals



Adjustable Base included. Ideal when replacing or plumbing Sta-Rite, Hayward or Pentair pumps in the field.

675-1380 See Page 55.

SMF - Performance Curves



### SMF - 1-Speed Pumps

Part No.	Description	Volts	HP	Weight (lbs.)	List (US \$)
SMF-107	1-Speed	115/208-230	¾	38	775.63
SMF-110	1-Speed	115/208-230	1.0	43	807.64
SMF-115	1-Speed	115/208-230	1.5	47	873.58
SMF-120	1-Speed	208-230	2.0	48	1,017.82





## Pool Pumps - Above Ground / Supreme - 48-Frame

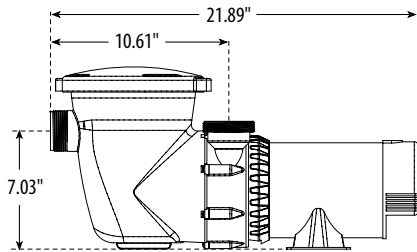
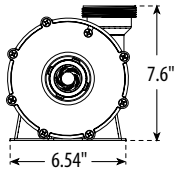
### FEATURES:

- 1 1/2" Union threads / 1 1/2" FPT Intake and 2" Union threads / 1 1/2" FPT discharge
- Extra large 7" pump trap with clear lid
- Powerful side discharge performance
- Wet end easily rotates

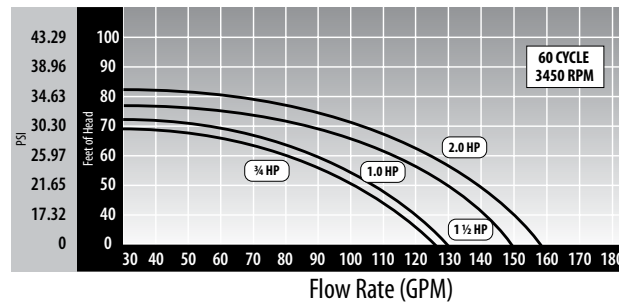


For replacement parts, see page 288.

The Supreme Pump is the ultimate in above ground pool engineering. Designed for today's more demanding applications, the Supreme Pump is ideal for D.E., cartridge or sand filtration systems of all sizes.



### Supreme Performance Curves



### Supreme 48-Frame Above Ground Pool Pump

Part No.	Description	Volts	Amps	HP	Weight (lbs.)	List (US \$)
PSP1075-3	1-Speed - 3 ft. Twist-Lock Cord	115	10.78	3/4	25	668.06
PSP1100-3	1-Speed - 3 ft. Twist-Lock Cord	115	13.2	1.0	25	680.34
PSP1150-3	1-Speed - 3 ft. Twist-Lock Cord	115	13.2	1.5	26	731.78
PSP1200-3	1-Speed - 3 ft. Twist-Lock Cord	115	18.04	2.0	31	862.19
PSP2075-3	2-Speed - 3 ft. Twist-Lock Cord	115	10.78	3/4	27	797.01
PSP2100-3	2-Speed - 3 ft. Twist-Lock Cord	115	13.2	1.0	30	814.54
PSP2150-3	2-Speed - 3 ft. Twist-Lock Cord	115	13.2	1.5	31	874.74
PSP2200-3	2-Speed - 3 ft. Twist-Lock Cord	115	18.04	2.0	35	937.48
PSP1075-6	1-Speed - 3 ft. NEMA Cord	115	10.78	3/4	25	668.06
PSP1100-6	1-Speed - 3 ft. NEMA Cord	115	13.2	1.0	25	680.34
PSP1150-6	1-Speed - 3 ft. NEMA Cord	115	13.2	1.5	25	731.78
PSP1200-6	1-Speed - 3 ft. NEMA Cord	115	18.04	2.0	31	862.19
PSP2075-6	2-Speed - 3 ft. NEMA Cord	115	10.78	3/4	29	797.01
PSP2100-6	2-Speed - 3 ft. NEMA Cord	115	13.2	1.0	30	814.54
PSP2150-6	2-Speed - 3 ft. NEMA Cord	115	13.2	1.5	32	874.74
PSP2200-6	2-Speed - 3 ft. NEMA Cord	115	18.04	2.0	36	937.48

Part numbers listed are for the discharge in the vertical position (sand). For discharge in horizontal position (cartridge and D.E.), add "R" to the end of the part number.

1-speed pumps have an on/off toggle switch. 2-speed pumps have a hi/lo/off toggle switch included.

NEMA cord is 3 prong grounded. All power cords are 3' in length.



## Pool Pumps - Above Ground / Hi-Flo II Side Discharge - 48-Frame

### FEATURES:

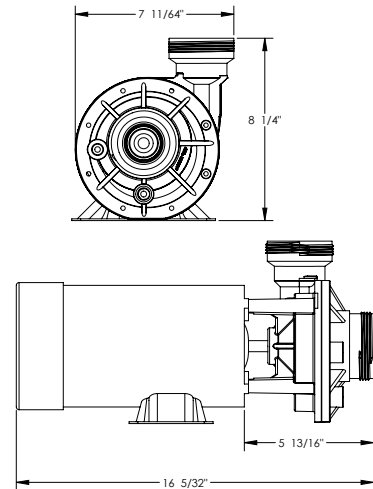
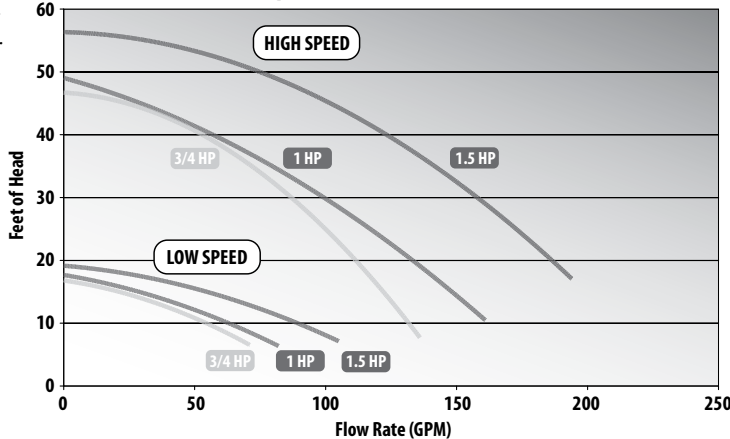
- 1 1/2" union threads / 1 1/2" FPT intake and 2" union threads / 1 1/2" FPT discharge
- Powerful side discharge performance
- Wet end can be rotated for easy installation
- Large 6" pump trap with one-piece clear lid
- High head capability
- Trap is 2" union x 1 1/2" union / 1 1/2" FPT



For replacement parts, see page 290.

The Hi-Flo II Above Ground pump was designed for superior performance. The Hi-Flo II pump features high flow rate performance for faster filtering cycles. This pump is ideal for new installations or as a replacement pump.

Hi-Flo II Pumps – Performance Curves



### Hi-Flo II Side Discharge 48-Frame Above Ground Pool Pump and Trap

Part No.	Description	Volts	HP	Weight (lbs.)	List (US \$)
PH1075-3	1-Speed - 3 ft. Twist-Lock Cord	115	3/4	24	608.97
PH1100-3	1-Speed - 3 ft. Twist-Lock Cord	115	1.0	25	629.56
PH1150-3	1-Speed - 3 ft. Twist-Lock Cord	115	1.5	30.5	679.76
PH1200-3	1-Speed - 3 ft. Twist-Lock Cord	115	2.0	32	810.20
PH2100-3	2-Speed - 3 ft. Twist-Lock Cord	115	1.0	25	762.55
PH2150-3	2-Speed - 3 ft. Twist-Lock Cord	115	1.5	30.5	822.71
PH2200-3	2-Speed - 3 ft. Twist-Lock Cord	115	2.0	32	885.45
PH1075-6	1-Speed - 3 ft. NEMA Cord	115	3/4	26	608.97
PH1100-6	1-Speed - 3 ft. NEMA Cord	115	1.0	30	629.56
PH1150-6	1-Speed - 3 ft. NEMA Cord	115	1.5	33	679.76
PH1200-6	1-Speed - 3 ft. NEMA Cord	115	2.0	35	810.20
PH2075-6	2-Speed - 3 ft. NEMA Cord	115	3/4	26	744.98
PH2100-6	2-Speed - 3 ft. NEMA Cord	115	1.0	30	762.55
PH2150-6	2-Speed - 3 ft. NEMA Cord	115	1.5	33	822.71
PH2200-6	2-Speed - 3 ft. NEMA Cord	115	2.0	35	885.45

Part numbers listed are for the discharge in the vertical position (sand). For discharge in horizontal position (cartridge and D.E.), add "R" to the part number.

For parts with no trap assembly, add "P" to the end of the part number.

1-speed pumps have an on/off toggle switch. 2-speed pumps have a hi/lo/off toggle switch included.

NEMA cord is 3 prong grounded. All power cords are 3' in length.

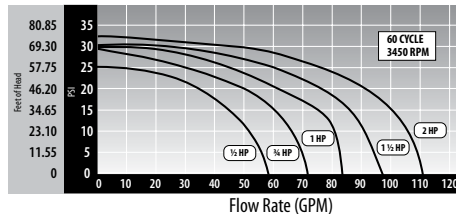
# Pool Pumps - Above Ground / Center Discharge - 48-Frame



## FEATURES:

- 1 1/2" Union / 1 1/2" FPT Inlet & Vertical Discharge or 1 1/2" Union / 1 1/2" FPT Inlet and Jacuzzi Self-Aligning Union Discharge (SLR9)
- Powerful center discharge performance
- Wet end can be rotated for easy installation
- Large 6" pump trap with 2-piece lid
- High head capability
- Trap is 2" union x 1 1/2" union / 1 1/2" FPT

**PRESSURE VERSUS FLOW RATE**



For replacement parts, see page 293.

## Center Discharge Above Ground Pool Pump

Part No.	Description	HP	Volts	Weight (lbs.)	List (US \$)
3410210-1544	1-Speed - 3 ft. Twist-Lock Cord	1/2	115	24	593.55
3410314-1544	1-Speed - 3 ft. Twist-Lock Cord	3/4	115	24	597.20
3410413-1544	1-Speed - 3 ft. Twist-Lock Cord	1.0	115	24	609.28
3410612-1544	1-Speed - 3 ft. Twist-Lock Cord	1.5	115	26	659.31
3410811-1544	1-Speed - 3 ft. Twist-Lock Cord	2.0	115	26	779.90
3420310-1544	2-Speed - 3 ft. Twist-Lock Cord	3/4	115	29	718.88
3420411-1544	2-Speed - 3 ft. Twist-Lock Cord	1.0	115	29	738.58
3420612-1544	2-Speed - 3 ft. Twist-Lock Cord	1.5	115	31	794.46
3420610-1544	2-Speed - 3 ft. Twist-Lock Cord	2.0	115	--	850.39
3410210-1549	1-Speed - 3 ft. NEMA Cord	1/2	115	24	593.56
3410314-1549	1-Speed - 3 ft. NEMA Cord	3/4	115	24	597.20
3410413-1549	1-Speed - 3 ft. NEMA Cord	1.0	115	24	609.28
3410612-1549	1-Speed - 3 ft. NEMA Cord	1.5	115	26	659.31
3410811-1549	1-Speed - 3 ft. NEMA Cord	2.0	115	26	779.90
3420310-1549	2-Speed - 3 ft. NEMA Cord	3/4	115	30	718.88
3420411-1549	2-Speed - 3 ft. NEMA Cord	1.0	115	30	738.58
3420612-1549	2-Speed - 3 ft. NEMA Cord	1.5	115	31	794.46
3420610-1549	2-Speed - 3 ft. NEMA Cord	2.0	115	34	850.39

## Center Discharge Above Ground Pool Pump - Jacuzzi Style Threads

Part No.	Description	HP	Volts	Weight (lbs.)	List (US \$)
3410210-1524	1-Speed - 3 ft. Twist-Lock Cord	1/2	115	24	609.51
3410314-1524	1-Speed - 3 ft. Twist-Lock Cord	3/4	115	24	614.52
3410413-1524	1-Speed - 3 ft. Twist-Lock Cord	1.0	115	20	627.11
3410612-1524	1-Speed - 3 ft. Twist-Lock Cord	1.5	115	26	677.24
3410811-1524	1-Speed - 3 ft. Twist-Lock Cord	2.0	115	--	803.43
3420310-1524	2-Speed - 3 ft. Twist-Lock Cord	3/4	115	29	739.93
3420411-1524	2-Speed - 3 ft. Twist-Lock Cord	1.0	115	29	760.03
3420612-1524	2-Speed - 3 ft. Twist-Lock Cord	1.5	115	30	817.72
3420610-1524	2-Speed - 3 ft. Twist-Lock Cord	2.0	115	--	827.38
3410210-1529	1-Speed - 3 ft. NEMA Cord	1/2	115	24	609.51
3410314-1529	1-Speed - 3 ft. NEMA Cord	3/4	115	24	614.52
3410413-1529	1-Speed - 3 ft. NEMA Cord	1.0	115	24	627.11
3410612-1529	1-Speed - 3 ft. NEMA Cord	1.5	115	26	677.24
3410811-1529	1-Speed - 3 ft. NEMA Cord	2.0	115	26	807.67
3420310-1529	2-Speed - 3 ft. NEMA Cord	3/4	115	30	739.93
3420411-1529	2-Speed - 3 ft. NEMA Cord	1.0	115	30	760.03
3420612-1529	2-Speed - 3 ft. NEMA Cord	1.5	115	31	817.72
3420610-1529	2-Speed - 3 ft. NEMA Cord	2.0	115	--	850.39



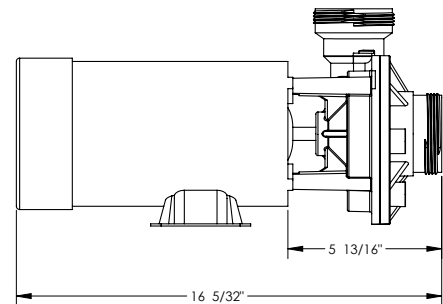
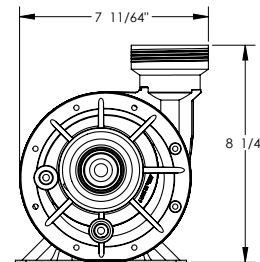
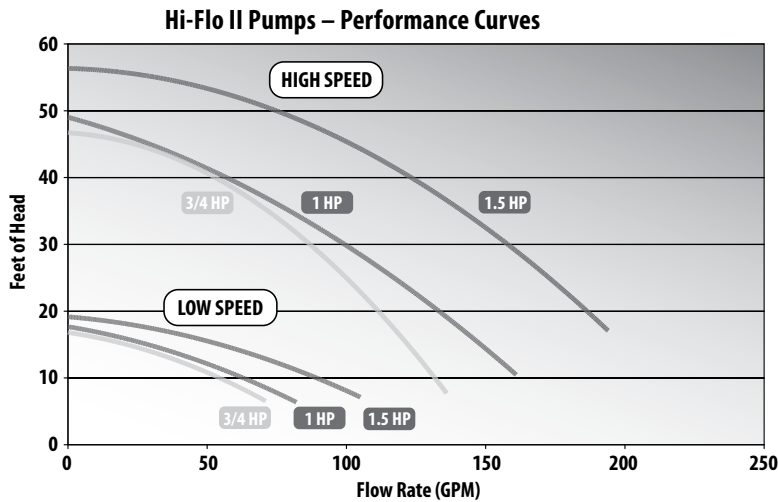
## Spa Pumps / Hi-Flo II Side Discharge - 48-Frame

### FEATURES:

- High volume side discharge performance
- 60% higher performing than our center discharge pumps
- 2" intake and discharge
- Wet end can be rotated for easy installation
- Available in 1 to 2 HP, 1 or 2 speed
- Large 6 1/2" diameter wet end for higher head pressure



For replacement parts, see page 301.



### 2-Speed Hi-Flo II Side Discharge 48-Frame Pumps

Part No.	HP	Volts	Amps High Speed	Amps Low Speed	Hz	Dimension "A"	List (US \$)
3420410-10	1.0	115	11.0	2.9	60	14.73"	591.35
3420610-10	1.5	115	16.4	4.4	60	15.48"	645.73
3420620-10	1.5	230	8.0	2.6	60	15.48"	645.73
3420820-10	2.0	230	10.5	2.6	60	16.00"	684.21

### 1-Speed Hi-Flo II Side Discharge 48-Frame Pumps

Part No.	HP	Volts	Amps	Hz	Dimension "A"	List (US \$)
3410410-10	1.0	115	12.0	60	14.23"	511.67
3410612-10	1.5	115	17.0	60	14.78"	511.67
3410830-10	2.0	115/230	20-10	60	14.98"	629.67



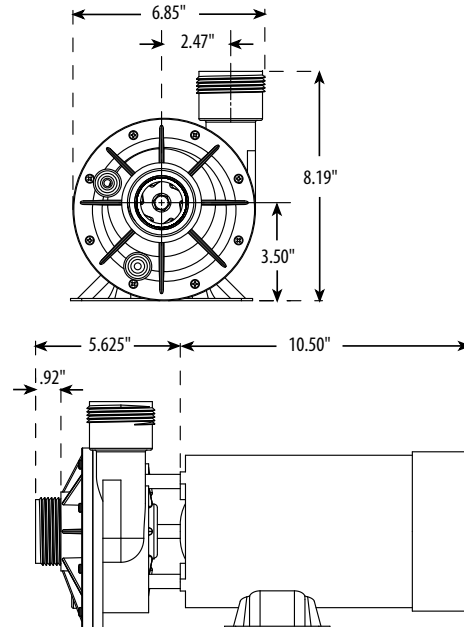
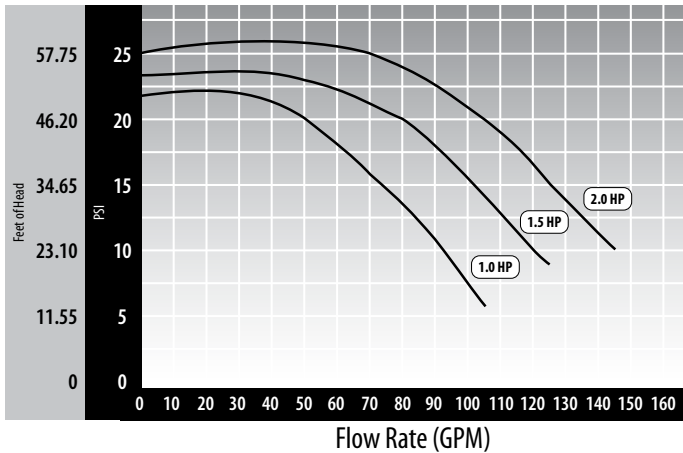
**FEATURES:**

- 48-frame proven design
- Designed for direct replacement in most spas
- Viton seals
- 1 1/2" Intake and Discharge
- Direct replacement for Aqua Flo FMHP



For replacement parts, see page 299.

**PRESSURE VERSUS FLOW RATE**



**2-Speed Spa Flo II 48-Frame Pumps**

Part No.	HP	Volts	Hz	Case Quantity	List (US \$)
<b>3420410-SOZ</b>	1	115	60	1	591.35
<b>3420610-SOZ</b>	1 1/2	115	60	1	645.73
<b>3420820-SOZ</b>	2	230	60	1	684.21

Sold without cords. Please call for available cords.

**1-Speed Spa Flo II 48-Frame Pumps**

Part No.	HP	Volts	Hz	Case Quantity	List (US \$)
<b>3410410-SOZ</b>	1	115	60	1	511.04
<b>3410610-SOZ</b>	1 1/2	115	60	--	549.84
<b>3410830-SOZ</b>	2	115 / 230	60	1	629.67

Sold without cords. Please call for available cords.



## Spa Pumps / EX 2

### FEATURES:

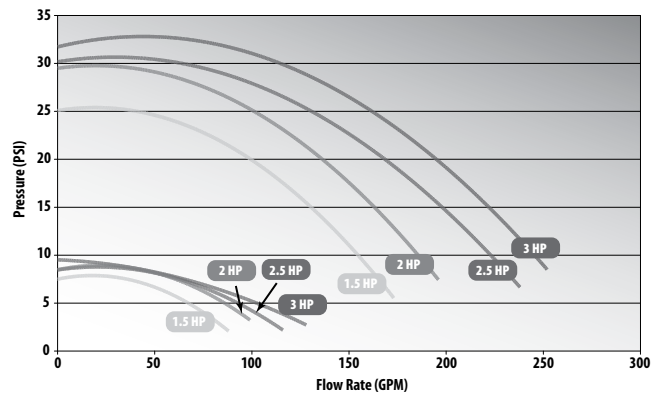
- True continuous rated horsepower of 1.5, 2.0, 2.5 and 3.0 HP
- 48-Frame or 56-Frame, Single or Dual Speed (energy saving)
- Use more jets per pump
- Same physical size as Aqua-Flo XP2, XP2e (fits within the same volume envelope)
- Can be used as substitute or retrofit to Aqua-Flo model XP2 or XP2e pumps and similar pumps and wet ends offered by other domestic and foreign suppliers
- Made in USA from highest quality materials with UL and CUL certifications
- CE and TUV certification on export pumps to ensure product performance for you and your customers
- Equipped with the highest quality Viton Seals
- Equipped with high performance electrical motors, custom designed for Spa applications



For replacement parts, see page 296.

Call for available cords and plugs.

EX2 Performance Chart



### 2-Speed EX 2 48-Frame Pumps

Part No.	Description	HP - Full	Volts	Amps High Speed	Amps Low Speed	Weight (lbs.)	Hz	List (US \$)
<b>3420610-1U</b>	2" Intake - 2" Discharge	1.5	115	16.4	4.4	--	60	645.73
<b>3420820-1U</b>	2" Intake - 2" Discharge	2	230	10.5	2.6	33	60	684.21
<b>3421021-1U</b>	2" Intake - 2" Discharge	2	230	9.0	2.8	31	60	628.10
<b>3421221-1U</b>	2" Intake - 2" Discharge	2	230	8.5	2.8	34	60	708.02
<b>3421020-1U</b>	2" Intake - 2" Discharge	2.5	230	11.0	3.3	36	60	734.00
<b>3421821-1U</b>	2" Intake - 2" Discharge	3	230	12.0	3.5	37	60	798.20

### 1-Speed EX 2 48-Frame Pumps

Part No.	Description	HP - Full	Volts	Amps	Weight (lbs.)	Hz	List (US \$)
<b>3410610-1U</b>	2" Intake - 2" Discharge	1.5	115	17.0	27	60	549.84
<b>3411020-1U</b>	2" Intake - 2" Discharge	2.5	230	10.0	34	60	736.77
<b>3411621-1U</b>	2" Intake - 2" Discharge	3.0	230	12.0	35	60	739.64

### 2-Speed EX 2 56-Frame Pumps

Part No.	Description	HP - Full	Volts	Amps High Speed	Amps Low Speed	Weight (lbs.)	Hz	List (US \$)
<b>3720821-1W</b>	2" Intake - 2" Discharge	2	230	8.0	3.0	34	60	687.81
<b>3721621-1W</b>	2" Intake - 2" Discharge	3.0	230	12.0	4.4	47	60	801.21
<b>3M21621-1W</b>	2" Intake - 2" Discharge	3.0	230	12.0	4.4	44	60	801.21

### 1-Speed EX 2 56-Frame Pumps

Part No.	Description	HP - Full	Volts	Amps	Weight (lbs.)	Hz	List (US \$)
<b>3711621-1W</b>	2" Intake - 2" Discharge	3.0	230	12.0	41	60	769.87



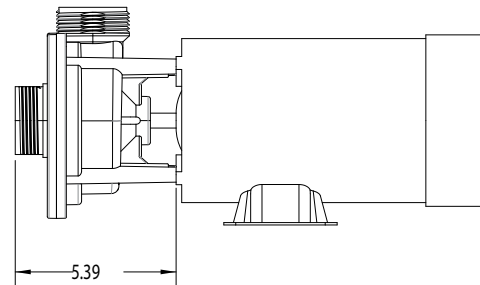
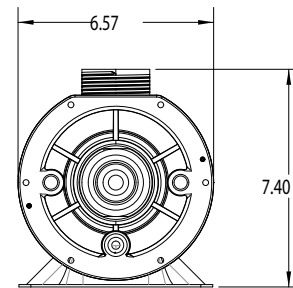
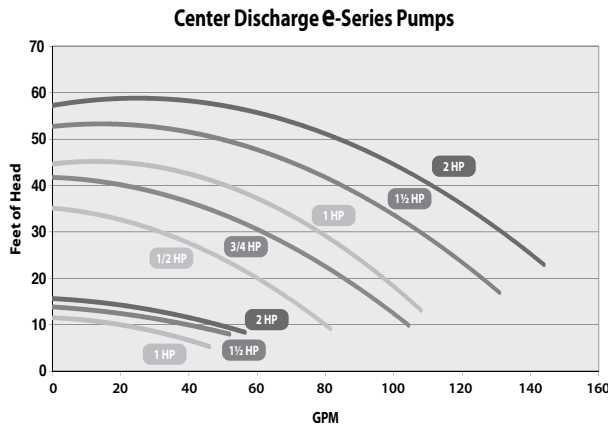
## Spa Pumps / E-Series Center Discharge - 48-Frame

### FEATURES:

- Reliable center discharge performance
- 1 1/2" intake and discharge
- Wet end can be rotated for easy installation
- Available in 3/4 to 2 HP, 1 or 2 speed
- Viton Seals
- 18 month warranty



For replacement parts, see page 292.



Pool Pumps

### 2-Speed Center Discharge Spa Pumps

Part No.	HP	Volts	Amps High Speed	Amps Low Speed	Hz	Dimension "A"	Weight (lbs.)	List (US \$)
<b>3420310-15</b>	3/4	115	8.8	2.6	60	15.00"	25	564.92
<b>3420410-15</b>	1.0	115	11.0	2.9	60	15.00"	26	591.35
<b>3420610-15</b>	1.5	115	16.4	4.4	60	15.75"	29	645.73
<b>3420620-15</b>	1.5	230	8.0	2.6	60	15.73"	29	645.73
<b>3420820-15</b>	2.0	230	10.5	2.6	60	16.28"	32	684.21

### 1-Speed Center Discharge Spa Pumps

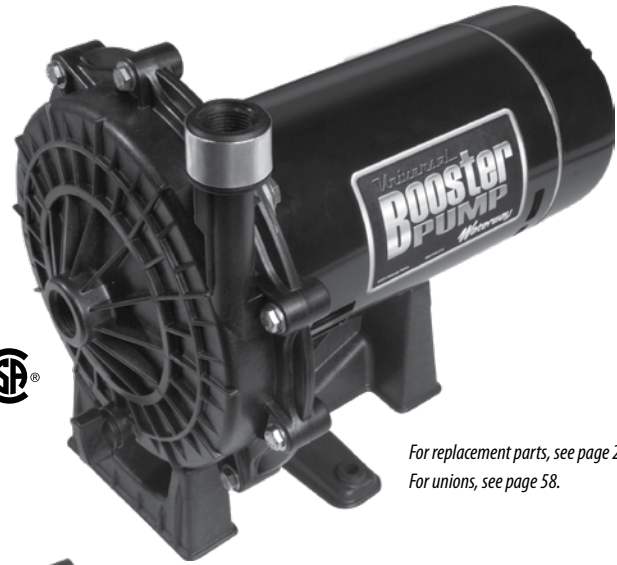
Part No.	HP	Volts	Amps	Hz	Dimension "A"	Weight (lbs.)	List (US \$)
<b>3410310-15</b>	3/4	115	9.8	60	14.00"	19	489.14
<b>3410410-15</b>	1.0	115	12.0	60	14.50"	21	511.04
<b>3410610-15</b>	1.5	115	17.0	60	15.05"	26	549.84
<b>3410830-15</b>	2.0	115/230	20-10	60	16.26"	33	629.67



## Pool Pumps - In-Ground / **Universal Booster Pump**

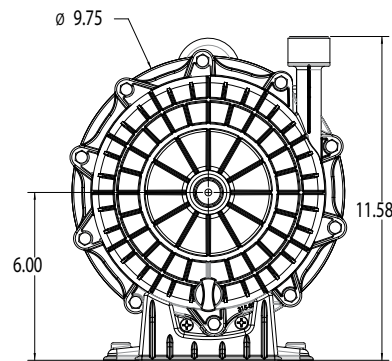
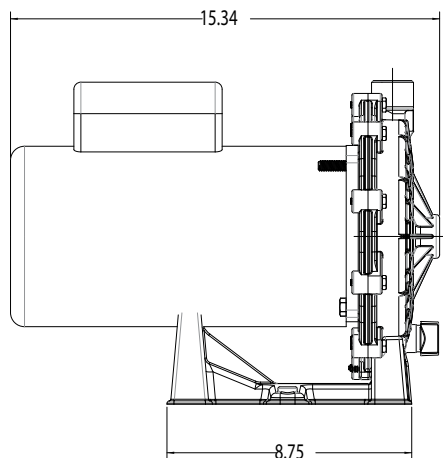
### FEATURES:

- Suitable for all swimming pool pressure cleaners
- Best replacement for any ¾ HP booster pump
- Optimized for reliability, durability and performance
- Comes with a tall, versatile mounting base
- Equipped with a high performance square flange ¾ HP, 230/115 V motor. Provides extra quiet, long life operation and optimum performance.
- Maintains one of the highest head pressures in the industry



For replacement parts, see page 270.  
For unions, see page 58.

*Comes with everything you need to install or retrofit the pump: reinforced flexible pump hose, hose barb adaptors and clamps.*



### Universal Booster Pump

Part No.	Description	Volts	HP	List (US \$)
<b>3810430-1PDA</b>	Booster Pump 60 HZ with Connectors and Hose Kit	115/230V	¾ HP	659.75
<b>550-8700</b>	Hose, Fitting And Clamp Kit (4)	N/A	N/A	57.97



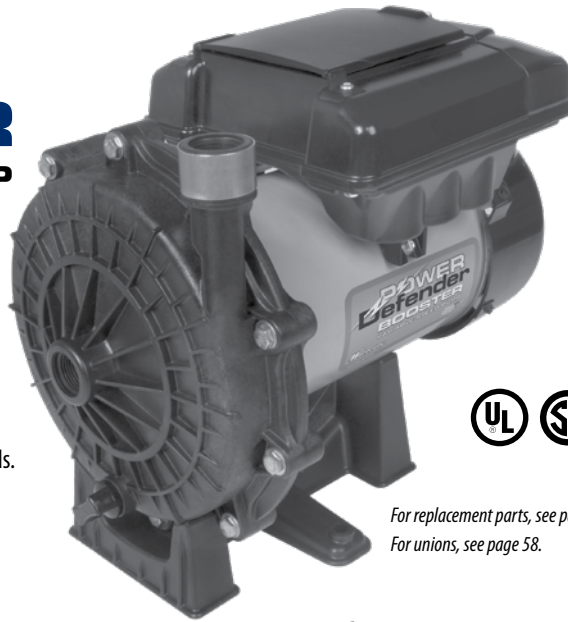


**POWER Defender BOOSTER**  
VARIABLE SPEED PUMP

*The first Variable Speed Pressure Cleaner Booster Pump.*

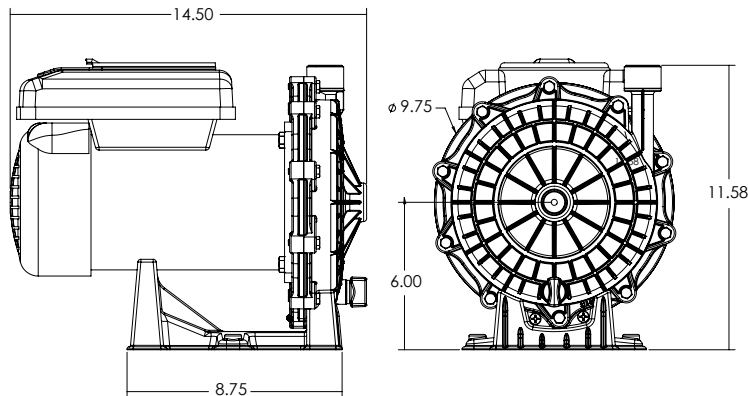
**FEATURES:**

- Change the operational speed of your pool cleaner. Save on your electric bill and optimize the performance of your pressure pool cleaner to fit your custom pool cleaning needs.
- Reduce wear, and extend the life of your pressure pool cleaner by avoiding unnecessary and excessive speed
- Built-in timer provides 3 custom cleaning schedules for your pool cleaner – without the need for a separate timer. Program a different custom cleaning schedule for each season.
- Ultra high performance, quiet and durable Permanent Magnet motor provides years of trouble free service



For replacement parts, see page 272.  
For unions, see page 58.

*Comes with everything you need to install or retrofit the pump: reinforced flexible pump hose, hose barb adaptors and clamps.*



Smart **energy solutions** for the Pool & Spa industry.

**Power Defender Booster Pump**

Part No.	Description	Volts	HP	List (US \$)
<b>PD-275</b>	Power Defender Variable Speed Booster	230V	¾ HP	1,296.35
<b>PD-175</b>	Power Defender Variable Speed Booster	115V	¾ HP	1,296.35