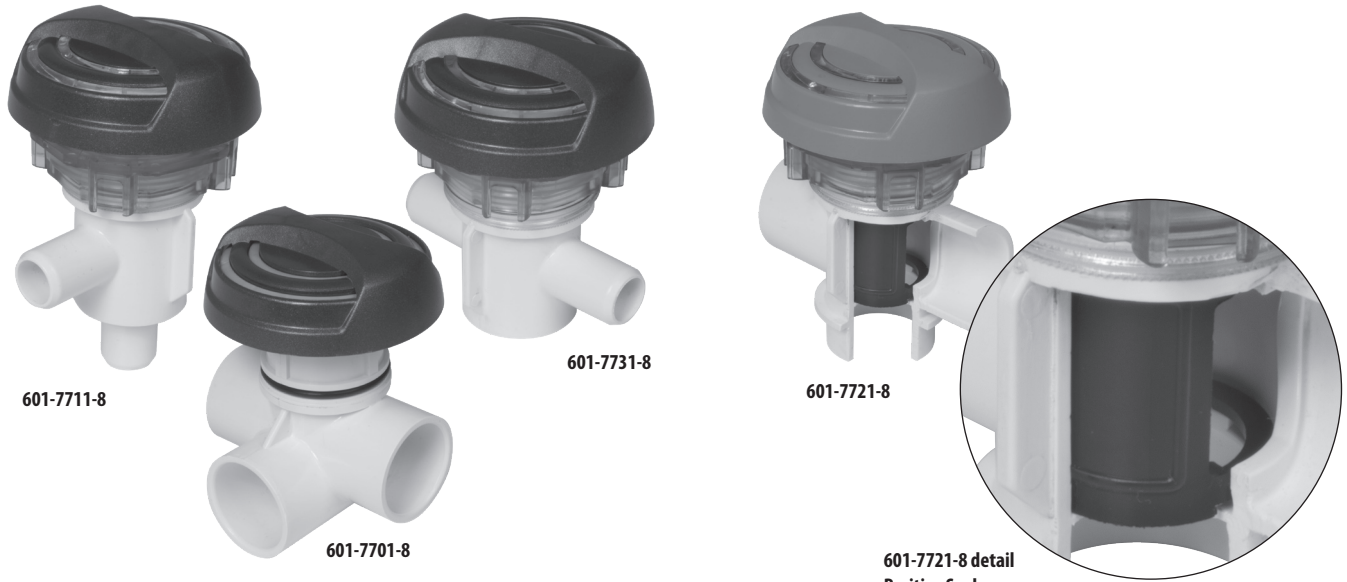




Top Side Valves / Orion / Luxe / Eclipse Valves

Orion Diverter Valve with Positive Seal



Positive Seal Diverter Valves

Part No.	Description	Style	Case Qty.	List (US \$)
601-7701-8	1" Top Access Positive Seal Horiz Valve	Orion	90	29.80
601-7711-8	3/4" SB Positive Seal Diverter On/Off Valve	Orion	90	29.80
601-7721-8	1" Top Access Positive Seal Diverter Valve	Orion	90	29.80
601-7731-8	3/4" SB Flo-Thru On/Off Valve	Orion	90	29.80

Elegant Top Side Controls to Match Our Luxe Series Jets

Luxe Top Side Valves

Part No.	Description	Style	Case Quantity	List (US \$)
600-3960*	1" Diverter Valve	Luxe	90	27.79
600-3910*	2" Top Access Diverter Valve	Luxe	10	40.23

Note: Contact your Sales Representative to order Aura or Glo style Top Side Valves



Exquisite Top Sides Now Available to Match Our New Eclipse Series Jets

Eclipse Top Side Valves

Part No.	Description	Style	List (US \$)
600-551x*	2" Top Access Diverter Valve Assy, Texture, 2-Tone	Eclipse	42.78
600-552x*	1" Top Access Diverter Valve Assy, Texture, 2-Tone	Eclipse	24.83

Note: Contact your Sales Representative to order Aura or Glo style Top Side Valves



*To change 1" diverter valves to positive seal valves, use the prefix in the part number. (see above for sample).



SGMS Top Side Controls Mounting System

NEW!

Waterway's new SGMS (Sure-Grip Mounting System) allows for an improved method of installing top side controls without the need to use silicone, alignment rings, nuts or having to spot face the back wall surface.



FEATURES:

- Easier/Faster to install
- No need for Silicone, alignment rings or nut
- No spot facing
- LED Optional
- High Quality NSF Certified Materials
- Fittings built to exceed ASTM Standards
- Fittings are Sch. 40 or better
- RoHS Compliant



Eclipse SGMS Top Side Controls

Part No.	Description	Case Quantity	List (US\$)
668-5518L-DSG	SGMS Air Control Assy. Eclipse - DSG/Clear	100	31.64
608-5508L-DSG	SGMS 100% Shut-Off Valve Assy. Eclipse - DSG/Clear	90	42.78
608-5518L-DSG	SGMS 2" Top Access Div. Valve Assy. Eclipse - DSG/Clear	15	55.23

Note: Part numbers shown above are for top side controls made in DSG/Glo. All parts are available in multiple color combinations and Glo or Non Glo versions.

Luxe SGMS Top Side Controls

Part No.	Description	Case Quantity	List (US\$)
668-3918L-DSG	SGMS Air Control Assy. Luxe - DSG/Clear	100	31.64
608-3928L-DSG	SGMS 100% Shut-Off Valve Assy. Luxe - DSG/Clear	90	42.78
608-3918L-DSG	SGMS 2" Top Access Div. Valve Assy. Luxe - DSG/Clear	15	55.23

Note: Part numbers shown above are for top side controls made in DSG/Glo. All parts are available in multiple color combinations and Glo or Non Glo versions.

Orion SGMS Top Side Controls

Part No.	Description	Case Quantity	List (US\$)
668-7608L-DSG	SGMS Air Control Assy. Orion - DSG/Clear	100	31.64
608-3668L-DSG	SGMS 100% Shut-Off Valve Assy., Orion - DSG/Clear	90	42.78
608-7608L-DSG	SGMS 2" Top Access Dive. Valve Assy. Orion - DSG/Clear	15	55.23

Note: Part numbers shown above are for top side controls made in DSG/Glo. All parts are available in multiple color combinations and Glo or Non Glo versions.



Top Side Valves / 5-Scallop Valves



FEATURES:

- Shuts off 100% with a 180° turn
- Available in two body sizes: 3/4" Socket or 3/4" Shur-Grip
- Used for waterfalls, water features or neck jets
- Available in multiple colors

Deluxe 180° Shut Off Valves

Part No.	Description	Style	Case Quantity	List (US \$)
600-4700	3/4" S x 3/4" S	5-Scallop	90	29.80
600-4710	Shur-Grip - 3/4" SB x 3/4" SB	5-Scallop	90	29.80

Note: Contact your Sales Representative to order Aura or Glo style Top Side Valves



FEATURES:

- 100% shut off
- Three different body styles to choose from
- Horizontal model is submersible
- Top access for easy servicing
- Works great for waterfalls and neck jets
- Sleeve allows for on/off adjustments with fewer turns



On / Off Turn Valves

Part No.	Description	Style	Case Quantity	List (US \$)
600-4360*	1" Vertical - Single Port	5-Scallop	100	28.09
600-4370*	1" Vertical - Dual Port	5-Scallop	90	29.79
600-4380*	1" Horizontal - Dual Port	5-Scallop	100	29.79
600-4600*	1 1/2" Vertical - Single Port	5-Scallop	40	35.17
602-4440*	Sleeve (low volume applications only)	--	40	1.04

Note: Contact your Sales Representative to order Aura or Glo style Top Side Valves

Top Side Valves



FEATURES:

- Diverts water to one or two ports
- Top access for easy service
- 2" model wall fittings are sealed with o-rings
- 1" models available with one or two ports
- Available in multiple colors



Top Access Diverter Valves

Part No.	Description	Style	Case Quantity	List (US \$)
600-4220*	1" Vertical - 1-Port	5-Scallop	90	27.70
600-4210*	1" Vertical - 2-Port	5-Scallop	90	27.70
600-4230*	1" Horizontal - 2-Port	5-Scallop	90	27.70
600-3020*	2" Horizontal - 2-Port	5-Scallop	15	39.04
600-3040*	2" Vertical - 2-Port	5-Scallop	15	39.04

Note: Contact your Sales Representative to order Aura or Glo style Top Side Valves. *To change 1" diverter valves to positive seal valves, use the prefix in the part number. (see page 167 for sample).





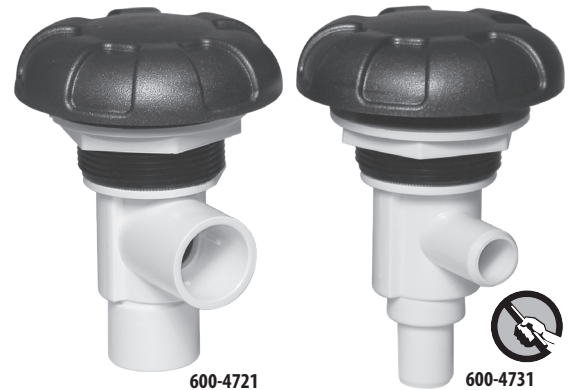
FEATURES:

- Shuts off 100% with a 180° turn
- Available in two body sizes: ¾" Socket or ¾" Shur-Grip
- Used for waterfalls, water features or neck jets
- Available in multiple colors

Deluxe 180° Shut Off Valves

Part No.	Description	Style	Case Quantity	List (US \$)
600-4720	¾" S x ¾" S	6-Spoke	90	29.80
600-4730	Shur-Grip – ¾" SB x ¾" SB	6-Spoke	90	29.80
600-3190	¾" S x ¾" S	6-Spoke - Two Tone	90	31.21
600-3210	Shur-Grip – ¾" SB x ¾" SB	6-Spoke - Two Tone	90	31.21

Note: Contact your Sales Representative to order Glo style Top Side Valves



600-4721
Pat. #D,597,863 S

600-4731
Pat. #D,597,863 S

FEATURES:

- 100% shut off
- Three different body styles to choose from
- Horizontal model is submersible
- Top access for easy servicing
- Works great for waterfalls and neck jets
- Sleeve allows for on/off adjustments with fewer turns



602-4440



600-4401
Pat. #D,597,863 S

600-4411
Pat. #D,597,863 S

On / Off Turn Valves

Part No.	Description	Style	Case Quantity	List (US \$)
600-4400*	1" Vertical - Single Port	6-Spoke	100	28.09
600-4410*	1" Vertical - Dual Port	6-Spoke	90	30.82
600-4420*	1" Horizontal - Dual Port	6-Spoke	100	29.79
600-3180*	1" Vertical - Dual Port	6-Spoke - Two Tone	90	29.27
602-4440*	Sleeve (low volume applications only)	--	40	1.04

Note: Contact your Sales Representative to order Glo style Top Side Valves



600-4421
Pat. #D,597,863 S

FEATURES:

- Diverts water to one or two ports
- Top access for easy service
- 2" model wall fittings are sealed with o-rings
- 1" models available with one or two ports
- Available in multiple colors



600-3611
Pat. #D,597,863 S

600-3601
Pat. #D,597,863 S

600-3621
Pat. #D,597,863 S

Top Access Diverter Valves

Part No.	Description	Style	Case Quantity	List (US \$)
600-3610*	1" Vertical - 1-Port	6-Spoke	70	27.44
600-3600*	1" Vertical - 2-Port	6-Spoke	70	27.44
600-3620*	1" Horizontal - 2-Port	6-Spoke	70	28.74
600-3220*	2" Horizontal - 2-Port	6-Spoke	15	39.04
600-3230*	2" Vertical - 2-Port	6-Spoke	15	39.04
600-3150*	1" Vertical - 1-Port	6-Spoke - Two Tone	90	28.63
600-3160*	1" Vertical - 2-Port	6-Spoke - Two Tone	90	28.63
600-3170*	1" Horizontal - 2-Port	6-Spoke - Two Tone	90	28.63
600-3140*	2" Vertical - 2-Port	6-Spoke - Two Tone	15	41.43



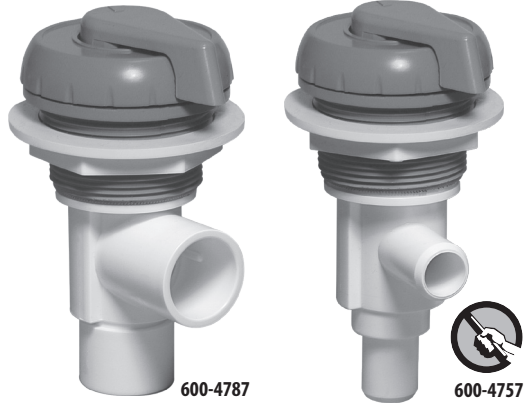
600-3221
Pat. #D,597,863 S

600-3231
Pat. #D,597,863 S

Note: Contact your Sales Representative to order Glo style Top Side Valves. *To change 1" diverter valves to positive seal valves, use the prefix in the part number. (see page 167 for sample).



Top Side Valves / Notched Valves



FEATURES:

- Shuts off 100% with a 180° turn
- Available in two body sizes: 3/4" Socket or 3/4" Shur-Grip
- Used for waterfalls, water features or neck jets
- Available in multiple colors

Deluxe 180° Shut Off Valves

Part No.	Description	Style	Case Quantity	List (US \$)
600-4750	Shur-Grip - 3/4" SB x 3/4" SB	Notched	100	29.80
600-4780	3/4" S x 3/4" S	Notched	100	29.80

Note: Contact your Sales Representative to order Aura or Glo style Top Side Valves



FEATURES:

- Diverts water to one or two ports
- Top access for easy service
- 2" model wall fittings are sealed with o-rings
- 1" models available with one or two ports
- Available in multiple colors

Top Access Diverter Valves

Part No.	Description	Style	Case Quantity	List (US \$)
600-4200	1" Vertical - 1-Port	Notched	90	27.70
600-4340	1" Vertical - 2-Port	Notched	90	27.70
600-4330	1" Horizontal - 2-Port	Notched	90	27.70
600-3010	2" Horizontal - 2-Port	Notched	15	39.04
600-3060	2" Vertical - 2-Port	Notched	15	39.04

Note: Contact your Sales Representative to order Aura or Glo style Top Side Valves



600-3017



600-3067



FEATURES:

- Shuts off 100% with a 180° turn
- Available in two body sizes: ¾" Socket or ¾" Shur-Grip
- Used for waterfalls, water features or neck jets
- Available in multiple colors

Deluxe 180° Shut Off Valves

Part No.	Description	Style	Case Quantity	List (US \$)
600-3280	¾" S x ¾" S	Revo - Two Tone	90	31.21
600-3250	Shur-Grip – ¾" SB x ¾" SB	Revo - Two Tone	90	31.21

Note: Contact your Sales Representative to order Aura or Glo style Top Side Valves



600-3259DSG-1
Pat. #D,597,863 S

FEATURES:

- 100% shut off
- Three different body styles to choose from
- Horizontal model is submersible
- Top access for easy servicing
- Works great for waterfalls and neck jets
- Sleeve allows for on/off adjustments with fewer turns



602-4440

On / Off Turn Valves

Part No.	Description	Style	Case Quantity	List (US \$)
600-3290	1" Vertical - Dual Port	Revo - Two Tone	90	29.27
602-4440	Sleeve (low volume applications only)	--	40	1.04

Note: Contact your Sales Representative to order Aura or Glo style Top Side Valves



600-3299DSG-7
Pat. #D,597,863 S

FEATURES:

- Diverts water to one or two ports
- Top access for easy service
- 2" model wall fittings are sealed with o-rings
- 1" models available with one or two ports
- Available in multiple colors

Top Access Diverter Valves

Part No.	Description	Style	Case Quantity	List (US \$)
600-3630	1" Vertical - 1-Port	Revo - Two Tone	90	28.63
600-3330	1" Vertical - 2-Port	Revo - Two Tone	90	28.63
600-3340	1" Horizontal - 2-Port	Revo - Two Tone	90	28.63
600-3110	2" Vertical - 2-Port	Revo - Two Tone	15	41.43

Note: Contact your Sales Representative to order Aura or Glo style Top Side Valves



600-3639DSG-1
Pat. #D,597,863 S



600-3339DSG-1
Pat. #D,597,863 S



600-3349DSG-1
Pat. #D,597,863 S



600-3119DSG-1
Pat. #D,597,863 S



Top Side Valves / "S" Style Valves

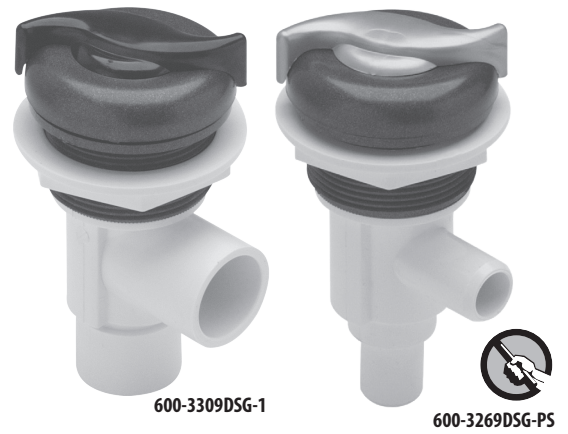
FEATURES:

- Shuts off 100% with a 180° turn
- Available in two body sizes: ¾" Socket or ¾" Shur-Grip
- Used for waterfalls, water features or neck jets
- Available in multiple colors

Deluxe 180° Shut Off Valves

Part No.	Description	Style	Case Quantity	List (US \$)
600-3300	¾" S x ¾" S	"S" Style - Two Tone	90	31.21
600-3260	Shur-Grip – ¾" SB x ¾" SB	"S" Style - Two Tone	90	31.21

Note: Contact your Sales Representative to order Aura or Glo style Top Side Valves



FEATURES:

- 100% shut off
- Three different body styles to choose from
- Horizontal model is submersible
- Top access for easy servicing
- Works great for waterfalls and neck jets
- Sleeve allows for on/off adjustments with fewer turns



On / Off Turn Valves

Part No.	Description	Style	Case Quantity	List (US \$)
600-3310	1" Vertical - Dual Port	"S" Style - Two Tone	90	29.27
602-4440	Sleeve (low volume applications only)	--	40	1.04

Note: Contact your Sales Representative to order Aura or Glo style Top Side Valves



FEATURES:

- Diverts water to one or two ports
- Top access for easy service
- 2" model wall fittings are sealed with o-rings
- 1" models available with one or two ports
- Available in multiple colors

Top Access Diverter Valves

Part No.	Description	Style	Case Quantity	List (US \$)
600-3240	1" Vertical - 1-Port	"S" Style - Two Tone	90	28.63
600-3270	1" Vertical - 2-Port	"S" Style - Two Tone	90	28.63
600-3320	1" Horizontal - 2-Port	"S" Style - Two Tone	90	28.63
600-3030	2" Vertical - 2-Port	"S" Style - Two Tone	15	41.43

Note: Contact your Sales Representative to order Aura or Glo style Top Side Valves



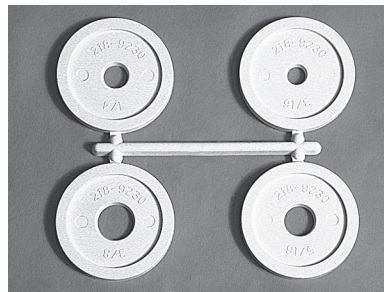


Top Side Valves / Water Restrictors, Valve Gaskets, and Air Bleed

FEATURES:

- Restricts the amount of flow through On/Off Valves to any water feature
- Break off any one of the four different nozzle sizes for desired water flow

$\frac{3}{16}$ " – 4 GPM $\frac{1}{4}$ " – 7 GPM
 $\frac{5}{16}$ " – 10 GPM $\frac{3}{8}$ " – 15 GPM



Water Restrictor Washer Tree

Part No.	Description	Case Quantity	List (US \$)
218-9230	Water Restrictor Washer Tree	90	1.52



711-4600



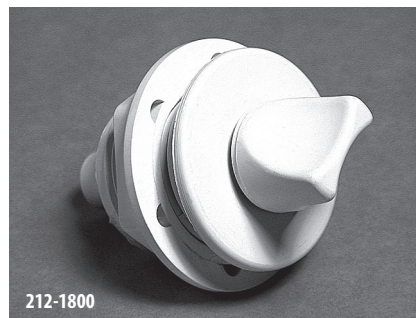
711-4310



711-3050

Valve Gaskets

Part No.	Description	Case Quantity	List (US \$)
711-4310	1" Flat Gasket	100	0.50
711-4600	1 1/2" Gasket	100	0.72
711-3050	2" Gasket	100	0.85



212-1800

Air Bleed Assembly

Part No.	Description	Case Quantity	List (US \$)
212-1800	$\frac{3}{8}$ " Barb	75	14.40

