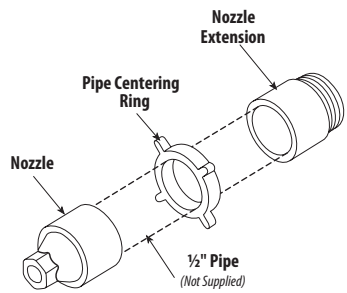
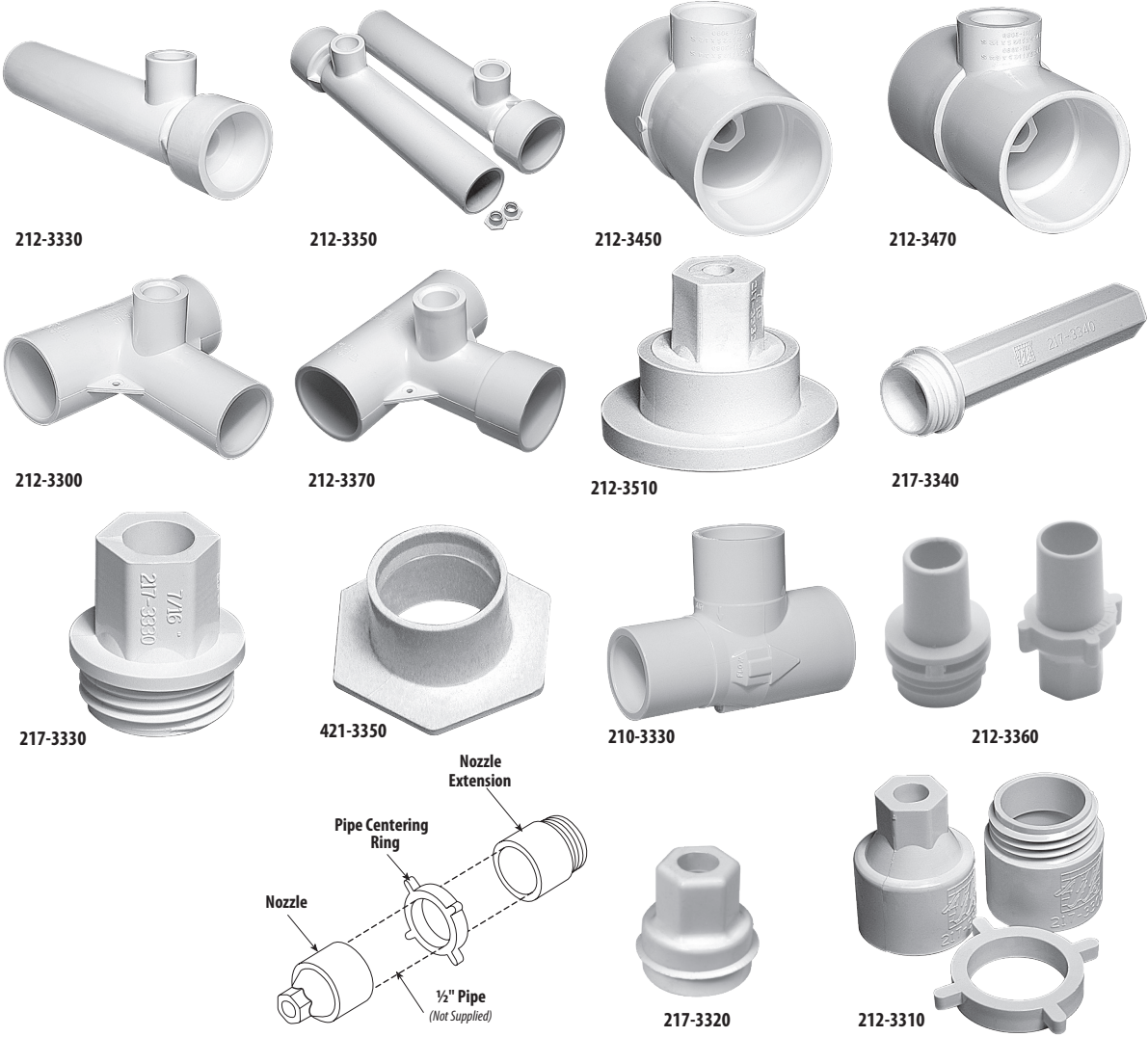




Gunite Jets / Gunite Venturi Tees



Gunite Venturi Tees

Part No.	Description	Orifice	GPM	Case Weight	Case Quantity	List (US \$)
212-3330*	10" Tee - 1 1/2" S x 1/2" S - 3/4" Spigot x 1 1/2" Spigot	7/16"	17-20	32 lbs.	50 (2/bag)	16.49
212-3340*	10" Tee - 1 1/2" S x 1/2" S - 1" Spigot x 1 1/2" Spigot	7/16"	17-20	32.26 lbs.	50 (2/bag)	16.49
212-3350*	10" Tee - 1 1/2" S x 1/2" S - 1" Spigot x 1 1/2" Spigot	5/16"	10-12	32 lbs.	50 (2/bag)	16.49
212-3440	Tee with Nozzle - 1 1/2" S / 2" Spigot x 3/4" S / 1" Spigot	7/16"	17-20	18.30 lbs.	50	6.39
212-3450	Tee with Nozzle - 1 1/2" S / 2" Spigot x 3/4" S / 1" Spigot	1/4"	7-9	18 lbs.	50	6.39
212-3470	Tee with Nozzle - 1 1/2" S / 2" Spigot x 1/2" S / 1" Spigot	7/16"	17-20	8 lbs.	50	6.39
212-3300	Gunite Double Tee Body Assembly - 1 1/2" Spigot	5/16"	10-12	27.18 lbs.	45	17.96
212-3360	Nozzle Extension Kit for #7 Tee	3/8"	14-16	5.82 lbs.	200	6.30
212-3370	Gunite Double Tee Body Assembly - 1 1/2" S	5/16"	10-12	24.77 lbs.	40	17.96
212-3500	Tee Jet Insert Assembly - 1/4"	1/4"	7-9	17.55 lbs.	50	9.01
212-3510	Tee Jet Insert Assembly - 7/16"	7/16"	17-20	17.55 lbs.	50	9.01
217-3340	4" Nozzle (included with 10" Tee)	7/16"	17-20	6.76 lbs.	125	2.61
217-3330	Venturi Tee Nozzle - 7/16"	7/16"	17-20	5.09 lbs.	400	2.11
217-3350	Venturi Tee Nozzle - 1/4"	1/4"	7-9	6.19 lbs.	400	2.11
421-3350	Orifice Reducer (fits inside 7/16" orifice)	3/8"	14-16	1.00 lbs.	300	0.71
210-3330	Venturi Tee #7 - 1" S x 1" Spigot - 3/4" S (#7 nozzle included - not sold separately)	3/8"	14-16	11.70 lbs.	70	4.45
217-3320	Gunite Venturi Tee Standard Nozzle - 5/16"	5/16"	--	16.93 lbs.	1250	2.11
212-3310	Nozzle Extension Kit (fits all Gunite Venturi Tees except #7 Tee)	5/16"	10-12	8.79 lbs.	180	6.30

* 4" nozzle and 3/8" orifice reducer included

Gunite Jets



Gunite Jets / Hydro Spa Jets



210-4100



210-4120



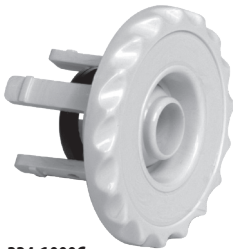
210-4130

Hydro Gunite Spa Jets

Part No.	Description	Case Weight	Case Quantity	List (US \$)
210-4100	Hydro Gunite Jet Body - 1 1/2" S x 1 1/2" S x 2" FPT	28 lbs.	30	17.70
210-4110	Hydro Gunite Jet Body - 1 1/2" S x 1 1/2" S x 1 1/2" S	28.45 lbs.	30	17.70
210-4120	Directional Eye - 1 1/2" S x 1 1/2" S - White (also for fiberglass)	28 lbs.	50	27.44
210-4130	Roto Eye - 1 1/2" S x 1 1/2" S - White (also for fiberglass)	28 lbs.	24	54.71

For Return Fittings, see page 76.

Complete Tee Body Assembly - 210-3400



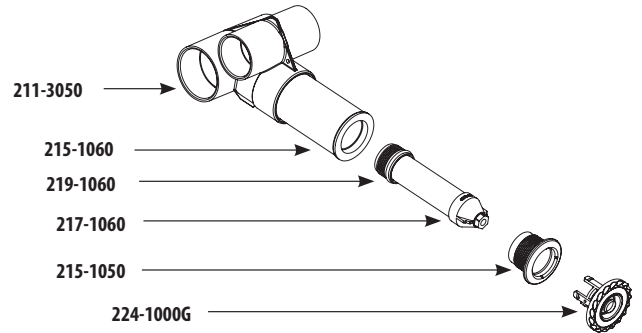
224-1000G



224-1040G



218-1500



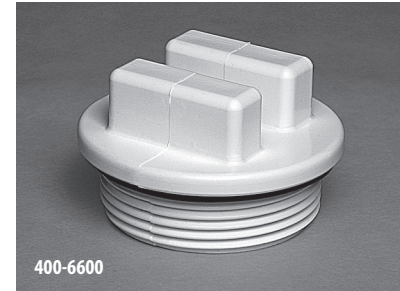
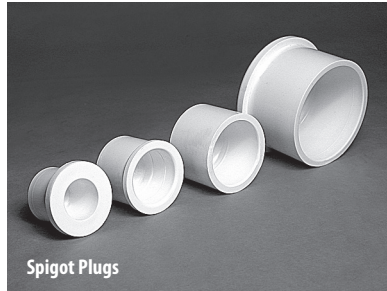
Mini Gunite Body Assembly

Part No.	Description	Color	Case Weight	Case Quantity	List (US \$)
210-3400	Complete Tee Body Assembly	White	22.74 lbs.	20	37.51
218-1500	Wrench - New Style Mini Jet with S.S Pins & Hex	White	21.42 lbs.	65	12.56
224-1040G	Gunite Pulsator M/J Eyeball Assembly	White	6.91 lbs.	100	19.54
211-3050	Tee Body Only - 2" S x 1 1/2" S	White	22.34 lbs.	25	17.17
215-1060	Gunite Wall Fitting	White	8.24	150	6.27
219-1060	Gunite Retainer Ring	White	4.33	160	2.98
217-1060	Gunite Nozzle	White	10.38	500	3.13
215-1050	Eyeball Wall Fitting	White	30.05 lbs.	500	6.27

Mini Gunite Jet Internals

Part No.	Type	Style	Color	Case Quantity	List (US \$)
224-1000G	Directional	Scalloped	White	50	11.73
224-1001G	Directional	Scalloped	Black	50	11.73
224-1007G	Directional	Scalloped	Gray	50	11.73

Gunite Jets / Miscellaneous Plugs and Grate Inserts



Plugs, Grate Inserts, and Vac Lock Fittings

Part No.	Description	Color	Case Weight	Case Quantity	List (US \$)
715-0000	Plug - 1/2" Spigot	White	16.6 lbs.	800	1.19
715-9890	Plug - 3/4" Spigot	White	19.71 lbs.	600	1.23
715-2000	Plug - 1" Spigot	White	7.16 lbs.	200	1.30
715-4000	Plug - 1 1/2" Spigot	--	7.67	100	2.01
715-9880	Plug - 2" Spigot	White	16.16 lbs.	100	2.64
400-4140	Flush Plug - 1 1/2" MPT with Gasket	White	6.16 lbs.	150 (indiv.)	2.87
400-4141	Flush Plug - 1 1/2" MPT with Gasket	Black	6.16 lbs.	150 (indiv.)	3.18
400-4147	Flush Plug - 1 1/2" MPT with Gasket	Gray	6.16 lbs.	150 (indiv.)	3.18
400-4149-BEI	Flush Plug - 1 1/2" MPT with Gasket	Beige	6.16 lbs.	150 (indiv.)	3.18
400-6600	Universal Plug - 1 1/2" MPT with O-Ring	White	9.32 lbs.	100 (indiv.)	2.87
400-6601	Universal Plug - 1 1/2" MPT with O-Ring	Black	9.32 lbs.	100 (indiv.)	2.87
400-6600-100	Universal Plug - 1 1/2" MPT with O-Ring	White	8.91 lbs.	100 (bulk)	2.87
400-6601-100	Universal Plug - 1 1/2" MPT with O-Ring	Black	8.91 lbs.	100 (bulk)	2.40
400-662xB	Drain Assy. - Universal Plug 1 1/2" MPT with O-Ring - Long Thread (New Style)	--	--	--	3.13
400-6650	Universal Plug - 2" NPT with O-Ring	White	12.44 lbs.	100	3.62
400-6651	Universal Plug - 2" NPT with O-Ring	Black	12.44 lbs.	100	3.62
715-1230	Plug - 1 1/2" NPT	White	14.42 lbs.	240 (bulk)	2.18
715-9910	Plug - 2" NPT	White	13.89 lbs.	150	2.75
602-3160*	Grate Insert - 1 1/2" MPT	White	3.69	140	4.17
602-3161*	Grate Insert - 1 1/2" MPT	Black	3.69	140	4.85
602-3167*	Grate Insert - 1 1/2" MPT	Gray	3.69	140	4.85
602-3160B*	Grate Insert - 1 1/2" MPT	White	--	--	4.90
602-3161B*	Grate Insert - 1 1/2" MPT	Black	--	--	5.56
602-3167B*	Grate Insert - 1 1/2" MPT	Gray	--	--	5.68

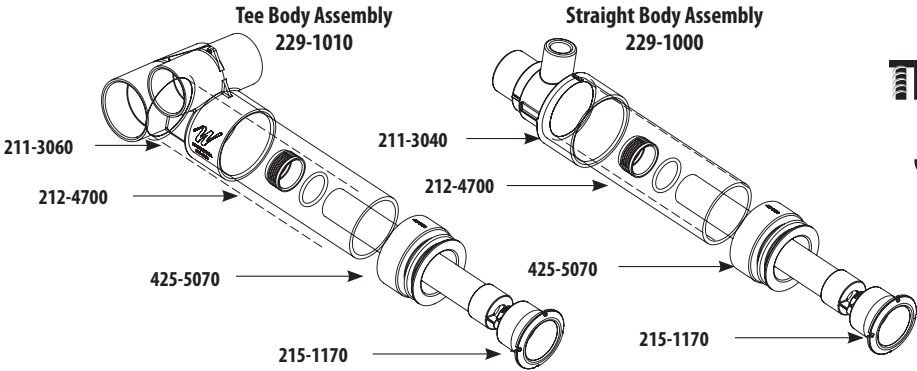
* Do not use as a suction cover



Gunite Jets / Mini Storm Thread-In Gunite Jets

Gunite Jets

- Directional / Twirl**
 Steady Stream / Stationary Eyeball
- Roto**
 Adjustable Rotating Stream
- Twin Roto**
 Rotating Dual Stream
- Pulse Massage**
 Pulsating Stream
- Galaxy**
 Gentle Shower
- Multi Massage**
 Multi-Shower
- Rifled**
 Enhanced Steady Stream
- Twister**
 Adjustable Rotating Stream
- Acupressure**
 Pressure Ball
- Shower**
 Pressure Ball



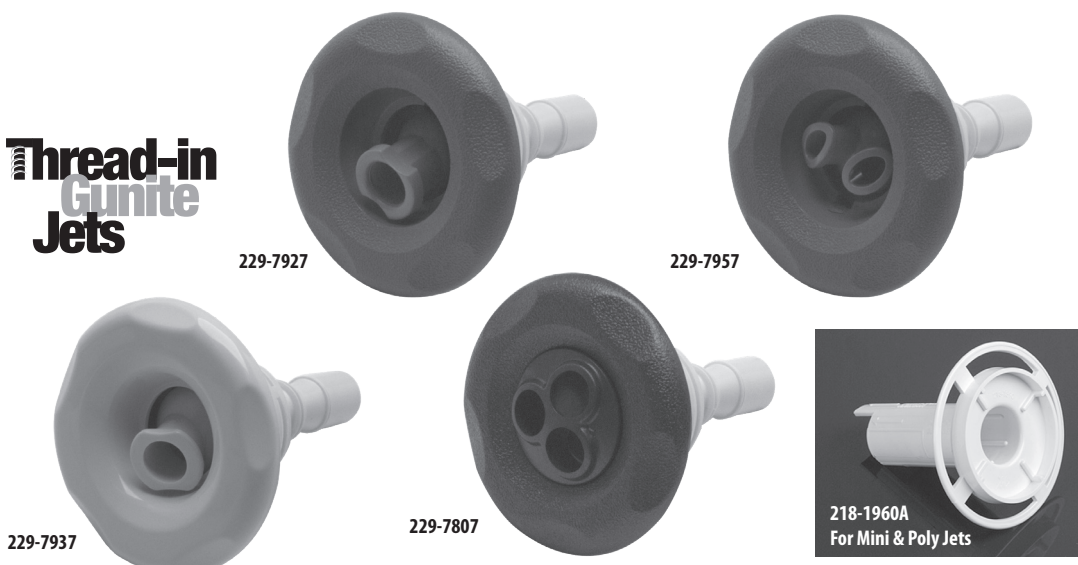
Thread-in Gunite Jets

Mini Storm Thread-In Spa Jets

Part No.	Description	Color	Case Weight	Case Qty	List (US \$)
229-1000	Mini Gunite Straight Body Assy. - 1/2" S, 1" SP x 1" S, 1/2" SP - Threaded Ring & Niche	White	32.08 lbs.	30	20.71
229-1010	Mini Gunite Tee Body Assy. - 1 1/2" S Air x 2" S Water - Threaded Ring & Niche		31.50 lbs.	30	20.71
215-1170	Wall Fitting - Mini Storm Gunite Threaded		4.04 lbs.	20	5.37
425-5070	Mini Gunite Jet Niche Adapter	White	7.93 lbs.	40	6.95
425-5071	Mini Gunite Jet Niche Adapter	Black	7.93 lbs.	40	6.95
425-5077	Mini Gunite Jet Niche Adapter	Gray	7.93 lbs.	40	6.95
211-3040	Mini Gunite Poly and Power Straight Jet Body - 1" Spigot x 1 1/2" Spigot		30.0 lbs.	50	16.39
211-3060	Mini Gunite Poly and Power Tee Jet Body - 1 1/2" Air x 2" Water		20.75 lbs.	50	16.39
212-4700	Gunite Retainer Ring Assembly (with O-ring)		15.20 lbs.	2000	3.97

* 1" and 2 1/2" pipes not included

Thread-in Gunite Jets



Storm Jets - 5-Scallop

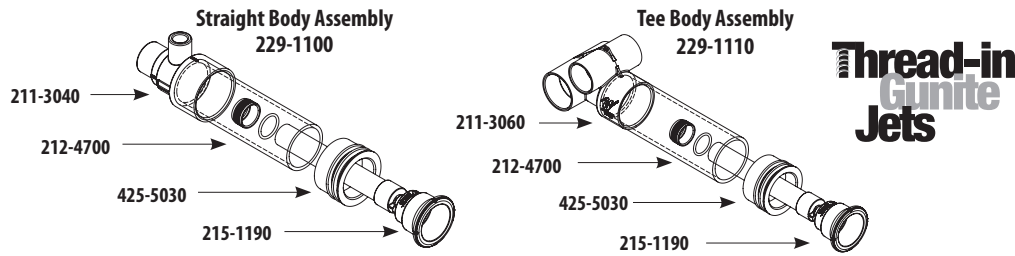
Part No.	Jet Type	Eyeball	Size	Style	Case Qty.	List (US \$)
229-7920	Mini-Storm	Directional	3"	Smooth	250	11.20
229-7930	Mini-Storm	Roto	3"	Smooth	250	14.02
229-7950	Mini-Storm	Twin Roto	3"	Smooth	250	15.03
229-0030	Mini-Storm	Pulse Massage	3"	Smooth	250	16.63
218-1960A	Air Pipe Measuring Tool				60	8.09

See our wide variety of Thread-in Spa Jets in the Spa section of our catalog pages 120-147

Products shown may be covered under patents US8458825, CA2644557, 5920925.



Gunite Jets / Poly Storm Thread-In Gunite Jets



Poly Storm Thread-In Gunite Body Assemblies

Part No.	Description	Color	Case Weight	Case Quantity	List (US \$)
229-1100	Straight Body Assembly - 1" Spigot Air x 1 1/2" Spigot Water - Niche	White	32.81 lbs.	30	23.01
229-1101	Straight Body Assembly - 1" Spigot Air x 1 1/2" Spigot Water - Niche	Black	32.81 lbs.	30	23.01
229-1107	Straight Body Assembly - 1" Spigot Air x 1 1/2" Spigot Water - Niche	Gray	32.81 lbs.	30	23.01
229-1110	Tee Body Assembly - 1 1/2" S Air x 2" S Water - Threaded Ring and Niche	White	22.67 lbs.	15	23.01
229-1111	Tee Body Assembly - 1 1/2" S Air x 2" S Water - Threaded Ring and Niche	Black	22.67 lbs.	15	23.01
229-1117	Tee Body Assembly - 1 1/2" S Air x 2" S Water - Threaded Ring and Niche	Gray	22.67 lbs.	15	23.01
211-3040	Straight Body Only	White	30.8 lbs.	50	16.39
211-3060	Tee Body Only	White	20.75 lbs.	20	16.39
212-4700	Threaded Retainer Ring with O-Ring	White	15.20 lbs.	500	3.97
425-5030	Poly Gunite Jet Niche Adapter	White	6.17 lbs.	30	6.95
215-1190	Wall Fitting	White	21.84 lbs.	100	5.37
215-1191	Wall Fitting	Black	21.84 lbs.	100	5.37
215-1197	Wall Fitting	Gray	21.84 lbs.	100	5.37

* 1" and 2 1/2" pipes not included

5-Scallop



229-8050

6-Spoke



229-8579DSG-1S

5-Scallop



229-8120



218-1960A

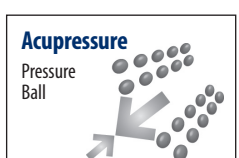
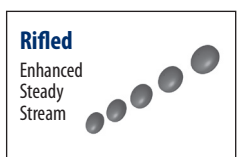
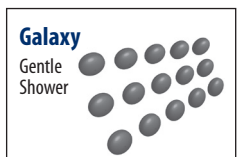


Poly Storm Hand Held Thread-In
229-3350

Poly Storm Gunite Jet Internals

Part No.	Type	Style	Color	Case Quantity	List (US \$)
229-8050	Directional	5-Scallop	White	130	14.74
229-8051	Directional	5-Scallop	Black	130	14.74
229-8057	Directional	5-Scallop	Gray	130	14.74
229-8051-DK	Directional	5-Scallop	Dark Gray	130	14.74
229-8051-BEI	Directional	5-Scallop	Beige	130	14.74
229-8010	Roto	5-Scallop	White	150	18.56
229-8011	Roto	5-Scallop	Black	150	18.56
229-8017	Roto	5-Scallop	Gray	150	18.56
229-8011-DK	Roto	5-Scallop	Dark Gray	150	18.56
229-8011-BEI	Roto	5-Scallop	Beige	150	18.56
229-8120	Twin Roto	5-Scallop	White	130	18.56
229-8121	Twin Roto	5-Scallop	Black	130	18.56
229-8127	Twin Roto	5-Scallop	Gray	130	18.56
229-8121-DK	Twin Roto	5-Scallop	Dark Gray	130	18.56
229-8121-BEI	Twin Roto	5-Scallop	Beige	130	18.56
229-8030	Pulse Massage	5-Scallop	White	130	21.13
229-8031	Pulse Massage	5-Scallop	Black	130	21.13
229-8037	Pulse Massage	5-Scallop	Gray	130	21.13
229-8031-DK	Pulse Massage	5-Scallop	Dark Gray	130	21.13
229-8031-BEI	Pulse Massage	5-Scallop	Beige	130	21.13

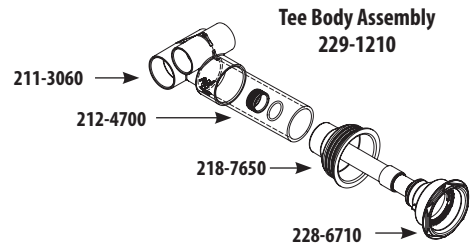
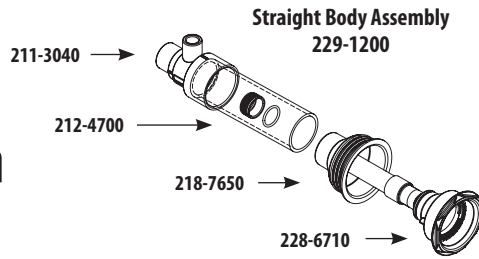
For 6-Spoke & Revo, refer to pages 138 -143. See our wide variety of Thread-In Spa Jets in the Spa section of our catalog on pages 120-147
Products shown may be covered under patents US8458825, CA2644557, 5920925, D574964, D591863.





Gunite Jets / Power Storm Thread-In Gunite Jets

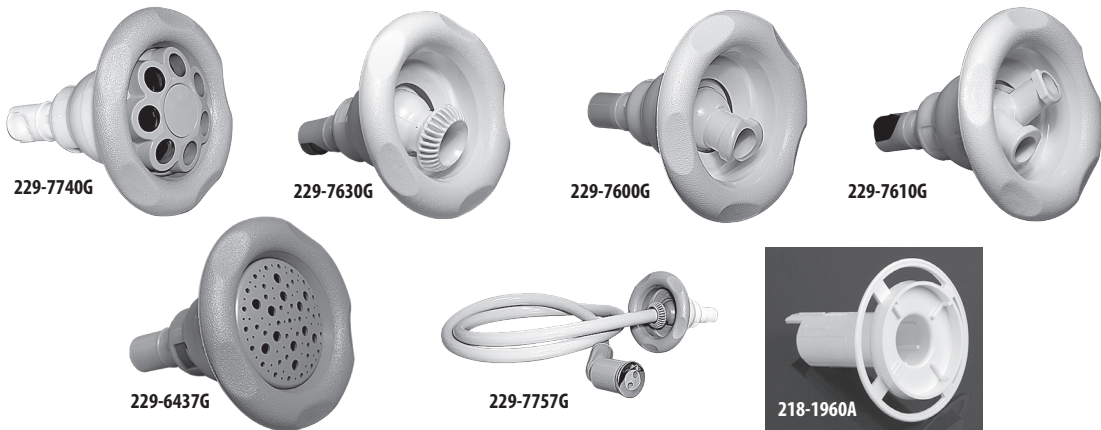
**Thread-in
Gunite
Jets**



Power Storm Thread-In Gunite Body Assemblies

Part No.	Description	Color	Case Weight	Case Quantity	List (US \$)
229-1200	Straight Body Assembly - 1" Spigot Air x 1 1/2" Spigot Water	White	24 lbs.	12	39.57
229-1210	Tee Body Assembly - 1 1/2" S Air x 2" S Water	White	24 lbs.	12	39.57
211-3040	Straight Body Only	White	30.8 lbs.	50	16.39
211-3060	Tee Body Only	White	20.75 lbs.	20	16.39
212-4700	Threaded Retainer Ring with O-Ring	White	15.20 lbs.	500	3.97
218-7650	Plaster Niche	White	17.34 lbs.	50	10.94
218-7657	Plaster Niche	Gray	17.34 lbs.	50	12.10
228-6710	Wall Fitting, Thread-in	White	20.80 lbs.	40	9.27

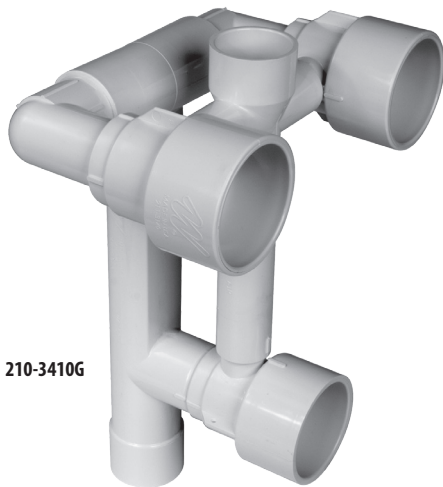
*1" and 2 1/2" pipes not included



Power Storm Thread-In Gunite Internals

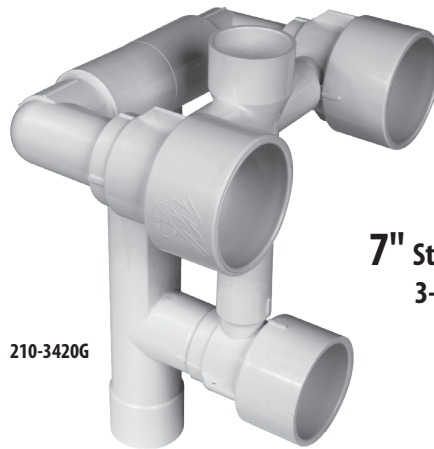
Part No.	Type	Style	Color	Case Weight	Case Quantity	List (US \$)
229-6437G	Galaxy	5-Scallop	Gray	15 lbs.	50	35.68
229-7630G	Directional	5-Scallop	White	18 lbs.	50	18.56
229-7631G	Directional	5-Scallop	Black	18 lbs.	50	18.56
229-7637G	Directional	5-Scallop	Gray	18 lbs.	50	18.56
229-7600G	Roto	5-Scallop	White	20 lbs.	50	24.30
229-7601G	Roto	5-Scallop	Black	20 lbs.	50	24.30
229-7607G	Roto	5-Scallop	Gray	20 lbs.	50	24.30
229-7610G	Twin Roto	5-Scallop	White	20 lbs.	50	24.30
229-7611G	Twin Roto	5-Scallop	Black	20 lbs.	50	24.30
229-7617G	Twin Roto	5-Scallop	Gray	20 lbs.	50	24.30
229-7740G	Pulse Massage	5-Scallop	White	20 lbs.	50	35.68
229-7741G	Pulse Massage	5-Scallop	Black	20 lbs.	50	35.68
229-7747G	Pulse Massage	5-Scallop	Gray	20 lbs.	50	35.68
229-7757G	Hand-Held Jet - 10 GPM	5-Scallop	Gray	15.18 lbs.	10	136.28
218-1960A	Air Pipe Measuring Tool			7.03 lbs.	25	8.09

Products shown may be covered under patents US8458825, CA2644557, 5920925.



210-3410G

9" Deep Seat Gunite 3-Jet Manifold



210-3420G

7" Standard Seat Gunite 3-Jet Manifold

Thread-in Gunite Jets

FEATURES:

- Pre-Plumbed Air and Water Connections: one connection for water and one for air for all three jets
- All three jet bodies accommodate Waterway's popular Poly Storm Gunite or Power Storm Gunite jets
- 2" Spigot fitting for water
- 1 1/2" S fitting for air
- Saves time and money



SUGGESTED 3-JET MANIFOLD JET PART NUMBERS

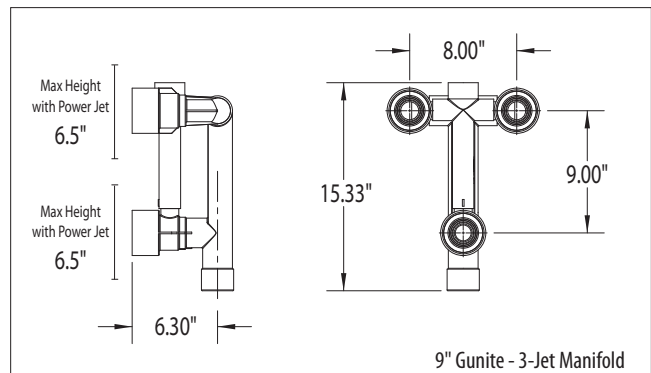
(sold separately):

**2 Poly Storm Jets,
1 Power Storm Jet:**

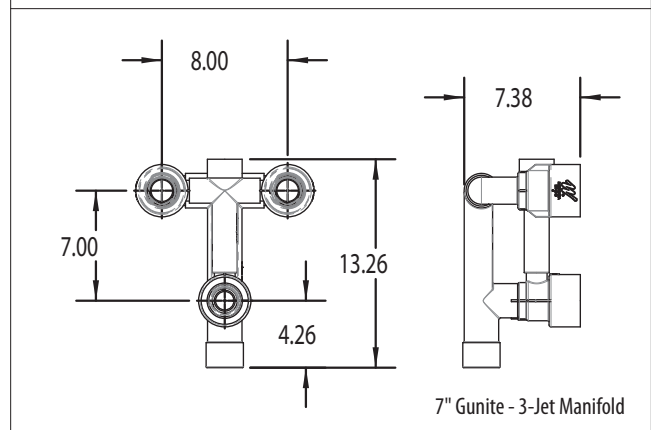
3 Retainer Rings (212-4700), 2 Poly Wall Fittings (215-119x),
2 Poly Niches (425-503x)

1 Power Wall Fitting (228-671x), 1 Power Niche (218-765x)

Replace "x" with the color of your choice: White (0), Gray (7).



9" Gunite - 3-Jet Manifold



7" Gunite - 3-Jet Manifold

3-Jet Thread-In Manifold - Power Seat

Part No.	Description	Color	Case Weight	Case Quantity	List (US \$)
210-3410G	9" Gunite Power Seat Kit - 3-Jet Manifold for Poly and Power Storm	White	15.22 lbs.	4	340.58
210-3420G	7" Gunite Power Seat Kit - 3-Jet Manifold for Poly and Power Storm	White	--	--	295.21



Gunite Jets / Thread-In Gunite Jets Internals 6 Spoke



Directional / Twirl
Steady Stream / Stationary Eyeball



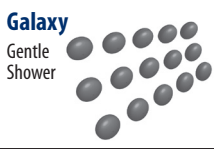
Roto
Adjustable Rotating Stream



Twin Roto
Rotating Dual Stream



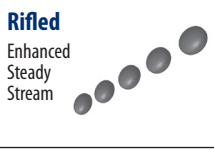
Pulse Massage
Pulsating Stream



Galaxy
Gentle Shower



Multi Massage
Multi-Shower



Rifled
Enhanced Steady Stream



Twister
Adjustable Rotating Stream



Acupressure
Pressure Ball



Shower
Pressure Ball

Thread-in Gunite Jets



Poly Storm Twin



Mini-Storm Rifled

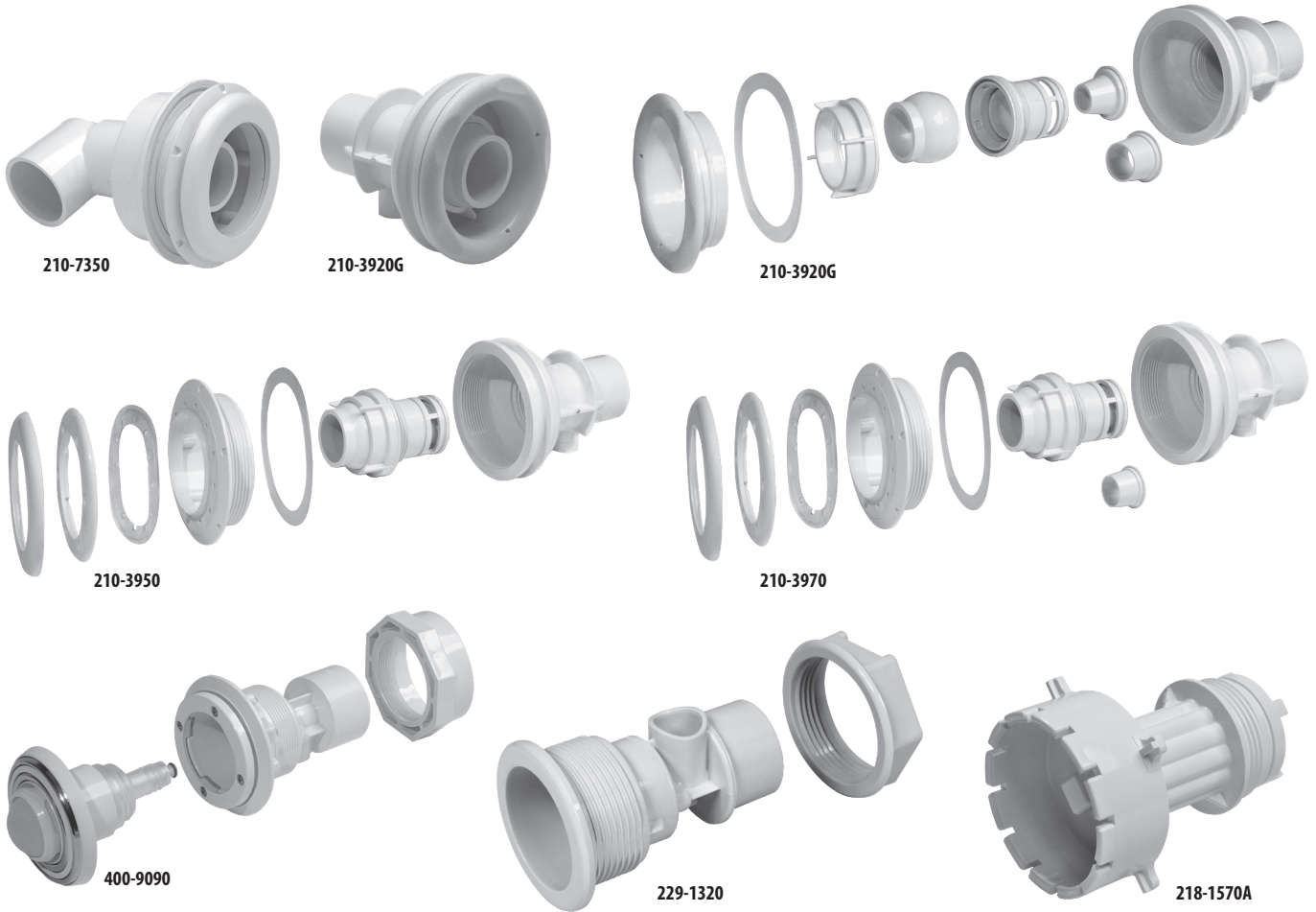
Power Storm Thread-In Gunite Internals

Part No.	Jet Type	Eyeball	Size	Style	Case Qty.	List (US \$)
229-8630S	Mini-Storm	Directional	3 5/16"	Plastic / Stainless Steel	180	20.61
229-8640S	Mini-Storm	Roto	3 5/16"	Plastic / Stainless Steel	200	24.96
229-8650S	Mini-Storm	Twin Roto	3 5/16"	Plastic / Stainless Steel	200	24.96
229-8660S	Mini-Storm	Pulse Massage	3 5/16"	Plastic / Stainless Steel	200	26.55
229-8670S	Mini-Storm	Galaxy	3 5/16"	Plastic / Stainless Steel	200	21.13
229-8700S	Mini-Storm	Multi-Massage	3 5/16"	Plastic / Stainless Steel	200	21.13
229-0180S	Mini-Storm	Rifled	3 5/16"	Plastic / Stainless Steel	180	36.67
229-9520S	Mini-Storm	Twister	3 5/16"	Plastic / Stainless Steel	180	24.96
229-8590S	Poly Storm	Directional	3 5/8"	Plastic / Stainless Steel	100	30.09
229-8570S	Poly Storm	Roto	3 5/8"	Plastic / Stainless Steel	100	33.91
229-8580S	Poly Storm	Twin Roto	3 5/8"	Plastic / Stainless Steel	100	33.91
229-3200S	Poly Storm	Pulse Massage	3 5/8"	Plastic / Stainless Steel	100	36.47
229-3210S	Poly Storm	Galaxy	3 5/8"	Plastic / Stainless Steel	100	29.90
229-3220S	Poly Storm	Galaxy Massage	3 5/8"	Plastic / Stainless Steel	100	36.47
229-3240S	Poly Storm	Multi-Massage	3 5/8"	Plastic / Stainless Steel	100	30.09
224-5710S	Poly Storm	Acupressure	3 5/8"	Plastic / Stainless Steel	65	33.91
229-1930S	Poly Storm	Rifled	3 5/8"	Plastic / Stainless Steel	100	30.09
229-9620S	Poly Storm	Twister	3 5/8"	Plastic / Stainless Steel	100	33.91
229-7570SG	Power Storm	Directional	5 1/4"	Plastic / Stainless Steel	45	35.21
229-7580SG	Power Storm	Twirl	5 1/4"	Plastic / Stainless Steel	45	35.21
229-7550SG	Power Storm	Roto	5 1/4"	Plastic / Stainless Steel	45	40.95
229-7560SG	Power Storm	Twin Roto	5 1/4"	Plastic / Stainless Steel	45	40.94
229-7590SG	Power Storm	Pulse Massage	5 1/4"	Plastic / Stainless Steel	45	46.06
229-7250SG	Power Storm	Multi-Massage	5 1/4"	Plastic / Stainless Steel	45	35.21
224-6700S	Power Storm	Acupressure	5 1/4"	Plastic / Stainless Steel	45	40.94
229-7700SG	Power Storm	Twister	5 1/4"	Plastic / Stainless Steel	45	40.94
229-1980SG	Power Storm	Rifled	5 1/4"	Plastic / Stainless Steel	45	35.21

Note: All part numbers are for the new thread-in style jet internals
• To order snap-in internals; change the part number prefix to 212-xxxx

All 6-Spoke Storm Jets are available as Plastic / Stainless Steel or Two-Tone Plastic. Please call for Two-Tone Plastic part numbers and colors.

See our wide variety of Thread-in Spa Jets in the Spa section of our catalog pages 120-147



Gunite Old Faithful Jet

Part No.	Description	Color	Case Weight	Case Quantity	List (US \$)
210-3920G	O/F Dir Strt Gunite - 2" S x 1/2" SW - 175 GPM & 90 GPM	White	10.35 lbs.	6	45.95
210-7350	O/F Vinyl Liner - 90° Body - 2" S x 1/2" SW - 175 GPM & 90 GPM	White	10.35 lbs.	6	51.86

**Note: Replace the final x in the part number with the color of your choice, "x" = 0 - white, 1 - black, 7 - gray*

Vinyl Liner Old Faithful Jet

Part No.	Description	Color	Case Weight	Case Quantity	List (US \$)
210-3950	O/F Vinyl Liner - 90° Body - 2" S x 1/2" SW - 175 GPM & 90 GPM	White	30.05 lbs.	500	67.62
210-3970	O/F Vinyl Liner - 2" S x 1/2" SW - 175 GPM & 90 GPM	White	30.05 lbs.	500	77.62

**Note: Replace the final x in the part number with the color of your choice, "x" = 0 - white, 1 - black, 7 - gray*

Vinyl Liner Poly Storm Body

Part No.	Description	Color	Case Weight	Case Quantity	List (US \$)
400-9090	Vinyl Liner Poly Storm Body - Threaded 1/2" S x 1-1/2" S (insert not included)	White	30.51 lbs.	50	29.90

**Note: Replace the final x in the part number with the color of your choice, "x" = 0 - white, 1 - black, 7 - gray*

**Note: Poly Internals available on pgs. 81, 84, 116-143*

Fiberglass Poly Storm Body

Part No.	Description	Color	Case Weight	Case Quantity	List (US \$)
229-1320	Fiberglass Poly Storm Body 1/2" S x 1-1/2" Spg	White	--	--	14.60

**Note: Replace the final x in the part number with the color of your choice, "x" = 0 - white, 1 - black, 7 - gray*

**Note: Poly Internals available on pgs. 81, 84, 116-143*