



Welcome to Waterway Plastics full line of bath products!

Waterway proudly offers a wide variety of plumbing options for jetted bath tubs and walk-in tubs. We are especially pleased to provide quality components for our exclusive "Smart Plumb System", with cutting-edge manifold systems for jetted and walk-in tubs designed to completely balance the pressure to all jets. We have taken our expertise and experience from more than 40 years in the spa business and applied those principals to advance the plumbing designs of the bath industry.

In addition to our exceptional selection of jets, we offer the highest performing bath pumps – the "Genesis Generation" – and an extensive line of safety suction, air controls, and air buttons in an array of specialty finishes to enhance every bathroom design. Lights, water features and a large selection of specialty plumbing fittings complete the product line.

To support the wide variety of jet sizes and plumbing options, we also manufacture our own flex hose, vinyl tubing and Shur-Grip hose to complement our "Smart Plumb System" or any plumbing configuration.

As always, Waterway will be adding new and innovative products to our whirlpool bath line throughout the year. Please visit our website, www.waterwayplastics.com to see any new additions or call us at 805.981.0262. A digital version of this catalog is also available on our website and we will be sending new product announcements throughout the year via e-mail.

We appreciate your loyalty and business partnership and wish you much success in the coming year.

Your Waterway Team



For information or assistance, contact:

Waterway Plastics Customer Service Department: 805-981-0262
Waterway Plastics, 2200 East Sturgis Road, Oxnard, CA 93030
Telephone: 805-981-0262 • Fax: 805-981-9403 • Toll Free Fax: 888-772-5387
www.waterwayplastics.com • waterway@waterwayplastics.com

Product Disclaimer:

All illustrations, photographs and specifications in this publication are based on product information available at the time of printing. Waterway reserves the right to make changes at any time, without giving prior notice, to colors, materials, specifications, part numbers and prices and to discontinue product or product components.

Ordering:

To ensure prompt and proper shipment, please order by product part number and description. Be sure to include the correct (last digit) number for the color desired. Specially quoted product numbers must not be changed (even by one digit), or the pricing will not be recognized. Products and prices are subject to change without notice.

All orders must be a minimum of \$50.00.

Terms:

All sales are cash with order until credit is established, after which, terms are net 30 days.

Shipments:

All shipments are F.O.B. Oxnard, California.

Claims:

All claims must be made within 30 days after receipt of merchandise.

Returns:

All returns are subject to the Waterway Limited Warranty Policy and written approval, and must be accompanied by an "RGA" (Return Goods Authorization) form or number issued by Waterway prior to returning the merchandise. Unauthorized returns will not be accepted. Freight must be prepaid. Waterway will not accept returned merchandise after 90 days of shipment and/or not in original resalable condition.

Information Regarding Lost or Damaged Merchandise:

Our responsibility for any shipment ceases when the carrier signs the Bill of Lading. All shipments should be inspected immediately upon arrival. If cartons, packages or crates are received in short or damaged condition, it is important that the driver be notified and the recipient should insist on a notation of the loss or damage across the face of the freight bill.

If there is no indication of damage on the freight bill, no claim can be enforced against the carrier.

If concealed loss or damaged merchandise is discovered, notify the carrier immediately and request an inspection, and retain the shipping carton/container. A concealed damage report must be made within 15 calendar days of delivery of the shipment, or the carrier will not entertain any claim for the loss. The carrier agent will perform an inspection and will normally grant a concealed damage notation. IF THE CARRIER RECEIVES A CLEAR RECEIPT FOR THE MERCHANDISE THAT HAS BEEN DAMAGED IN TRANSIT, IT IS AT THE RECIPIENT'S OWN RISK AND EXPENSE.

Waterway is willing to assist in collecting claims for loss or damage, but our willingness does not make us responsible for collection of claims or for the replacement of merchandise.

For additional information or assistance in this regard, please contact:

Waterway Plastics
Customer Service
805-981-0262



Waterway Limited Warranty

All warranties for end users must be processed through your retail point of purchase.

All products of Waterway carry warranties. The nature and length of the warranty will depend upon the product and are set forth below:

To the buyer, as the original purchaser, Waterway warrants its products free from defects in materials and workmanship for a period of one year from the date of purchase, if installed by a qualified installer. Parts which fail or become defective during the warranty period, except as a result of freezing, negligence, improper installation of equipment or automatic valving systems, use or care, shall be repaired or replaced, at our option, within 90 days of the receipt of the defective product, barring unforeseen delays.

Proof of purchase is required for warranty coverage. Warranty registration card must be submitted for applicable products. In the event proof of purchase is not available, the manufacturing date of the product will be the sole determination of purchase date.

To obtain warranty, replacements or repair, defective components or parts should be returned, transportation paid, to the place of purchase. In the event the place of purchase is not applicable Waterway Plastic should be contacted for necessary return instructions. No returns may be made directly to the factory without the express written authorization of Waterway Plastics.

Waterway Plastics shall not be responsible for cartage, removal and/or reinstallation labor or any other such costs incurred in obtaining warranty replacements.

Disclaimer

Waterway is not liable for incidental or consequential damages, loss of profit, loss of time, inconvenience and incidental expenses. This warranty is limited and shall be in lieu of any other warranties, expressed or implied, including but not limited to , any implied warranty or merchantability or fitness for a particular purpose. There are no other warranties that extend beyond the description of the face hereof. The liability of Waterway arising out of its supply of said products, or their use, shall not in any case exceed the cost of correcting defects in the products as above set forth.

Although Waterway Plastics provides all information, recommendation, or advice regarding its products in good faith, each user bears full responsibility for making its own determination as to suitability of Waterway's products, recommendations, or advice for its own particular use. Each user must identify and perform all tests and analysis necessary to assure that its finished products incorporating Waterway's parts or products will be safe and suitable for use under end-use conditions. This includes but not limited to verification of exposure to ambient operating conditions, adhesives, foams and any other type chemicals during the assembly or the end use conditions. Due to environmental conditions out of our control, we are unable to warranty discolorations or corrosion on stainless steel parts.

This warranty does not apply if the failure is caused or contributed to by any of the following: improper handling, improper storage, improper installation abuse, unsuitable application of the product, lack of reasonable and necessary maintenance, improper packaging for return, or repairs made or attempted by any other company, which in the judgment of Waterway adversely affects the product's performance and reliability. Waterway reserves the right to change its warranty at any time.

Some states do not allow the exclusion or limitation of incidental or consequential damages, so the above limitation or exclusion may not apply to you.



HOLE SAW SIZES

JETS

300-LS / 350-XLS – Grommet Gasket	2 1/4"
300-LS / 350-XLS – Flat Gasket	2 3/16"
200-LS	1 1/2"
CAD and 180°	2 1/2"
150-CS	1 1/16"
250-CS / 250-ES	1 3/4"

SUCTIONS

Designer Series Wall Fitting	2 3/4"
------------------------------	--------

AIR COMPONENTS

Air Button	1 5/16"
Air Control	1 5/16"
Air Control - 1/2" Top Access	3/4"
Air Injector - Lo-Pro	1 5/16"

LIGHTS

Light – 3.5"	2 5/8"
Light – 2" – w/out Gasket	2 1/8"
Light – 2" – Grommet Gasket	2 1/4"

SPECIALTY ITEMS

Aroma Therapy Canister Tee	2 1/8"
Cup Holder	3 3/4"
Waterway Cascade	(2) x 7/8"

CODE	REPRESENTS:
ADJUST.	Adjustable
A	Amperage
BC	Bisquit
BN	Brushed Nickle
BO	Bone
CS	Classic Series
CW	Classic White
ELL	Elbow
ES	Econo Series
HV	High Volume
LB	Pound
LP	Low Profile
LS	Luxury Series
MM	Metric Millimeter
OB	Oil Rubbed Bronze
OBB	Oil Brushed Bronze
PC	Plated Chrome
RB	Ribbed Barb
S	Slip
SB	Smooth Barb
SIL	Silicone
SP	Smart Plumb
SPG	Spigot
V	Voltage
W/SIL	With Silicone



Bath Pumps
 Genesis Generation Energy Efficient Bath Pumps & Accessories 7

Jets
 150-CS Series 11
 250-CS & ES Series 12
 Luxury Series 14
 180° & Mini Jet Series 18

Air Buttons & Controls
 Flat & Raised Air Button Assemblies 21
 Air Controls & Select-A-Speed 22

Manifolds
 Manifolds, Assemblies, Elbows, Check Valves 25

Suctions
 Designer Series 29

Valves
 Air Valves, Check Valves and Related Fittings 31

SP SmartPlumb™
 Jet Bodies, Manifolds, Fittings and Accessories 32

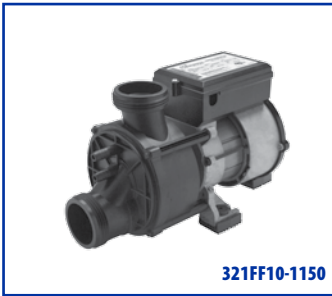
Fittings
 Air Manifolds, Air Fittings, Plugs & Adapters 37

Miscellaneous
 Aroma Therapy, Chromotherapy, Water Features,
 Heaters & Ozone Kits 45

Hose & Tubing
 Shurflex™ 49

Technical Information
 Technical Drawings 51

Index 67



5.5A GENESIS GENERATION PUMP

NEMA CORD

Part No.	Bulk Qty.
321FF10-0101	18
321FF10-1101	1

NEMA CORD & AIR SWITCH

Part No.	Bulk Qty.
321FF10-0150	18
321FF10-1150	1

321FF10-1150



7.5A GENESIS GENERATION PUMP

NEMA CORD

Part No.	Bulk Qty.
321HF10-0101	18
321HF10-1101	1

NEMA CORD & AIR SWITCH

Part No.	Bulk Qty.
321HF10-0150	18
321HF10-1150	1

321HF10-1150



9.0A GENESIS GENERATION PUMP

NEMA CORD

Part No.	Bulk Qty.
321JF10-0101	18
321JF10-1101	1

NEMA CORD & AIR SWITCH

Part No.	Bulk Qty.
321JF10-0150	18
321JF10-1150	1

321JF10-1150



4.5A GENESIS GENERATION PUMP

230V 60HZ

Part No.	Bulk Qty.
321EE20-0101	18
321EE20-1101	1

321EE20-0101

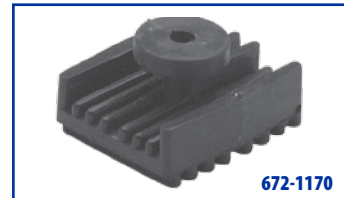


HP 6A GENESIS GENERATION PUMP

230V 60HZ

Part No.	Bulk Qty.
321GD20-0101	18
321GD20-1101	1

321GD20-0101



672-1170

ANTI-VIBRATION PADS

(3 REQUIRED & INCLUDED W/ PUMP – SOLD SEPARATELY ONLY FOR WATERWAY PUMPS)

Part No.	Bulk Qty.
672-1170	144

13.0A GENESIS GENERATION PUMP (2" SUCTION)

NEMA CORD

Part No.	Bulk Qty.
321NF10-0B01	18
321NF10-1B01	1

NEMA CORD & AIR SWITCH

Part No.	Bulk Qty.
321NF10-0B50	18
321NF10-1B50	1



321NF10-1150

13.0A GENESIS GENERATION PUMP (1 1/2" SUCTION)

NEMA CORD

Part No.	Bulk Qty.
321NF10-0101	18
321NF10-1101	1

NEMA CORD & AIR SWITCH

Part No.	Bulk Qty.
321NF10-0150	18
321NF10-1150	1



675-1190

UNIVERSAL BATH PUMP STAND

Part No.	Bulk Qty.
675-1190	36



675-1290

CLOSE-FIT UNIVERSAL PUMP STAND

- Legs adjust pump base from 1 1/2" to 4" high
- Legs snap in & twist to lock pump in position

Part No.	Bulk Qty.
675-1290	36
675-1170	36



1" S LOW PRO UNION TEE ASSEMBLY

Part No.	Bulk Qty.
400-4200	25

32 mm S LOW PRO UNION TEE ASSEMBLY

Part No.	Bulk Qty.
400-4090	25



1" S 45° LOW PRO UNION WYE ASSEMBLY

Part No.	Bulk Qty.
400-3145	25



1" SPG LOW PRO UNION TEE ASSEMBLY

Part No.	Bulk Qty.
400-4190	25



1" SB UNION TEE ASSEMBLY (26mm)

Part No.	Bulk Qty.
400-4250	30



1.5" S LOW PRO UNION TEE ASSEMBLY

Part No.	Bulk Qty.
400-4740	25



1.5" 65° ELL UNION ASSEMBLY

Part No.	Bulk Qty.
400-3800	36



1.5" SPG LOW PRO UNION TEE ASSEMBLY

Part No.	Bulk Qty.
400-4730	25



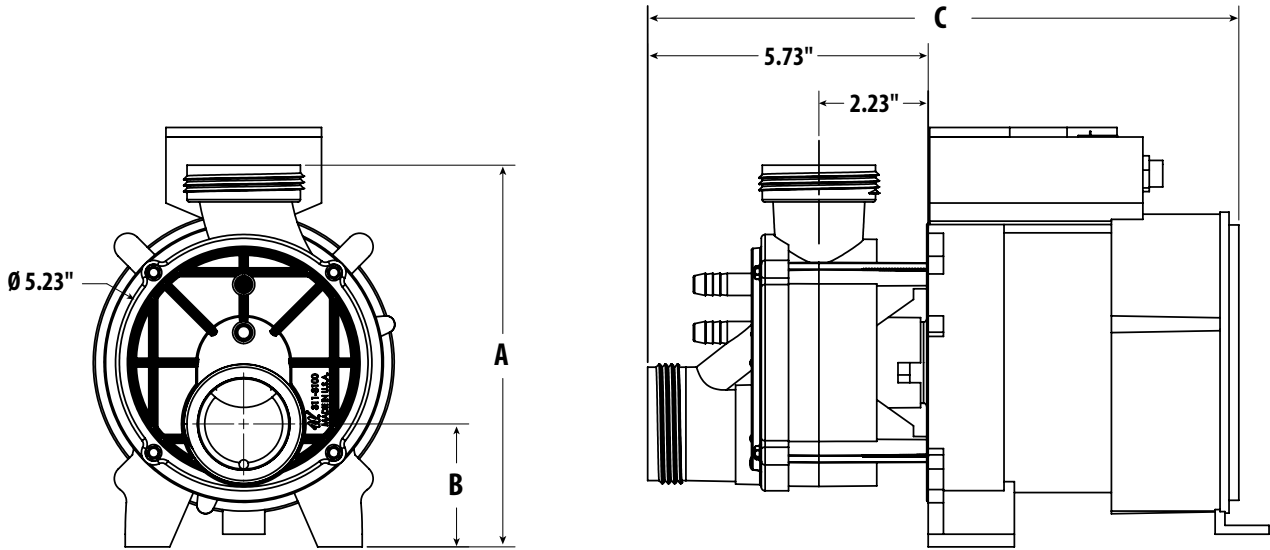
1.5" S UNION ASSEMBLY

Part No.	Bulk Qty.
400-4060	200



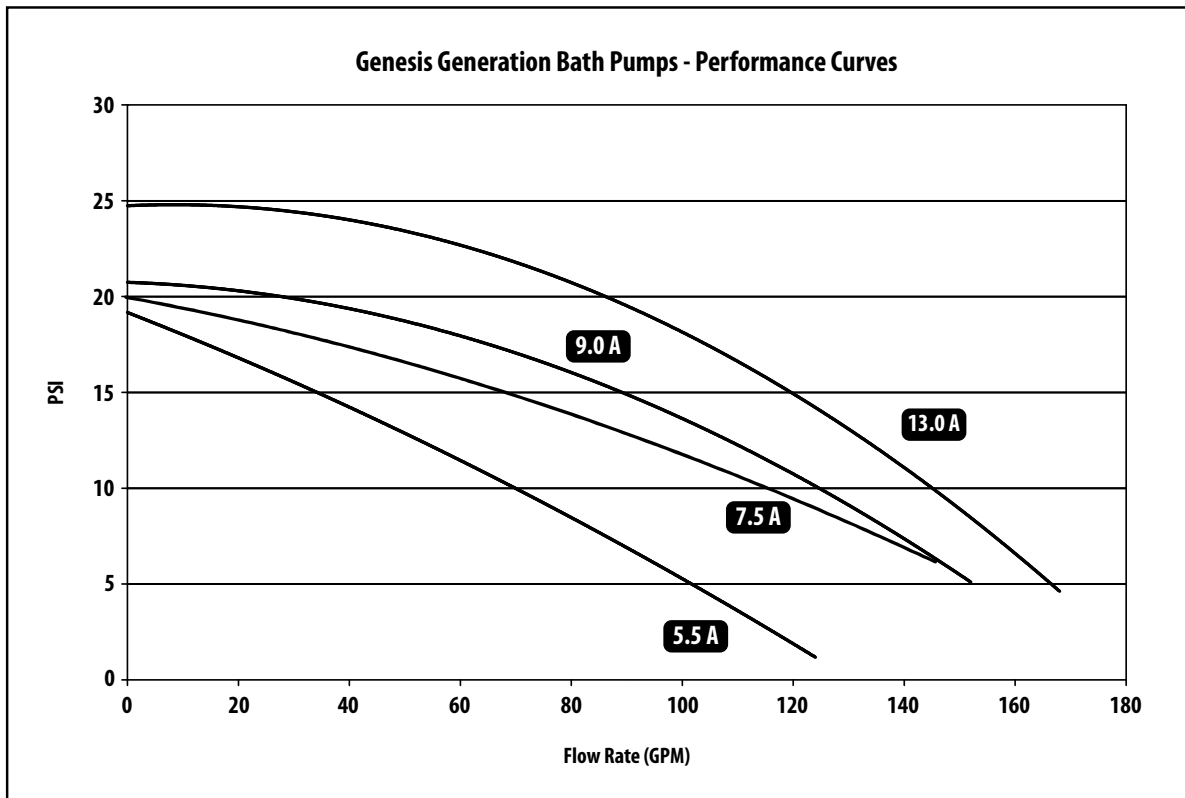
2" S UNION ASSEMBLY

Part No.	Bulk Qty.
400-5570	140



GENESIS GENERATION PUMP SPECIFICATIONS

Part No.	Description	Volts	Hz	Amps	"A"	"A" w/ Pads	"B"	"C"
321FF10-xxxx	5.5 Amp with NEMA Cord & Air Switch	115 V	60	5.5	7.10"	7.475"	1.82"	10.78"
321HF10-xxxx	7.5 Amp with NEMA Cord & Air Switch	115 V	60	7.5	6.69"	7.065"	1.41"	11.72"
321JF10-xxxx	9.0 Amp with NEMA Cord & Air Switch	115 V	60	9.5	7.79"	8.165"	2.51"	12.07"
321NF10-xxxx	13.0 Amp with NEMA Cord & Air Switch	115 V	60	13.5	7.79"	8.165"	2.51"	12.82"





215-9840-CW

**2" WALL FITTING
LARGE FACE**

Part No.	Bulk Qty.
215-9840-CW	150
215-9840-BC	150
215-9840-BO	150
215-9840-PC	120
215-9840-BN	50
215-9840-OB	50
215-9840-OB	50
215-9840-OB	50
215-9840-OB	50
215-9840-OB	50
215-9840-OB	50
215-9840-OB	50
215-9840-OB	50
215-9840-OB	50
215-9840-OB	50
215-9840-OB	50
215-9840-OB	50
215-9840-OB	50
215-9840-OB	50
215-9840-OB	50
215-9840-OB	50



215-9860-CW

1 1/2" WALL FITTING

Part No.	Bulk Qty.
215-9860-CW	200
215-9860-BC	200
215-9860-BO	200
215-9860-PC	120
215-9860-BN	50
215-9860-OB	50
215-9860-OB	50
215-9860-OB	50
215-9860-OB	50
215-9860-OB	50
215-9860-OB	50
215-9860-OB	50
215-9860-OB	50
215-9860-OB	50
215-9860-OB	50
215-9860-OB	50
215-9860-OB	50
215-9860-OB	50
215-9860-OB	50
215-9860-OB	50



215-9760-CW

1 1/2" OZONE W/F

Part No.	Bulk Qty.
215-9760-CW	150
215-9760-BC	150
215-9760-BO	150
215-9760-PC	150
215-9760-BN	150
215-9760-OB	150
215-9760-OB	150
215-9760-OB	150
215-9760-OB	150
215-9760-OB	150
215-9760-OB	150



212-9858-B0

**WALL FITTING
TWIN SPIN**

Part No.	Bulk Qty.
212-9858-CW	200
212-9858-BC	200
212-9858-BO	200
212-9858-PC	120
212-9858-BN	50
212-9858-OB	50
212-9858-OB	50
212-9858-OB	50
212-9858-OB	50
212-9858-OB	50
212-9858-OB	50

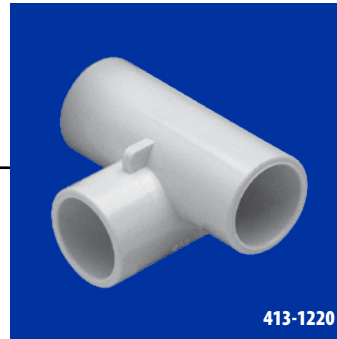


211-0370

**150-CS JET BODY
1/2" SPG x 3/8" SB**

Part No.	Bulk Qty.
211-0370	400

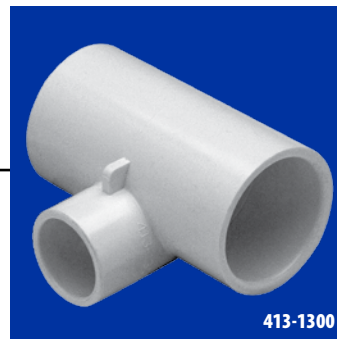
(fittings attach to back of jet body)



413-1220

**150-CS OFFSET TEE
1/2" S x 1/2" S x 1/2" S**

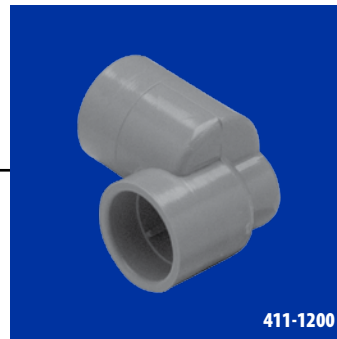
Part No.	Bulk Qty.
413-1220	200



413-1300

**150-CS OFFSET TEE
20 mm S x
20mm S x 1/2" S**

Part No.	Bulk Qty.
413-2220	200



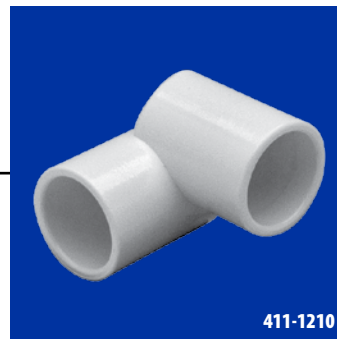
411-1200

**150-CS OFFSET TEE
1 1/2" S x 1" S x 1" S**

Part No.	Bulk Qty.
413-1300	200

**150-CS
LEFT OFFSET
90° ELBOW
1/2" S x 1/2" S**

Part No.	Bulk Qty.
411-1200	400



411-1210

**150-CS
RIGHT OFFSET
90° ELBOW
1/2" S x 1/2" S**

Part No.	Bulk Qty.
411-1210	400



411-0360

**150-CS OFFSET
90° ELBOW
1/2" S x 3/4" SB**

Part No.	Bulk Qty.
411-0360	200



227-4008-PC

SMOOTH (ADJUSTABLE)

DIRECTIONAL

Part No.	Bulk Qty.
227-4000-CW	200
227-4000-BC	200
227-4000-BO	200
227-4008-PC	120
227-4008-BN	50
227-4008-OB	50
227-4008-OB	50
227-4008-OB	50



227-4058-CW

SMOOTH (ADJUSTABLE)

TWIN SPIN

Part No.	Bulk Qty.
227-4058-CW	120
227-4058-BC	120
227-4058-BO	120
227-4058-PC	50
227-4058-BN	50
227-4058-OB	50
227-4058-OB	50
227-4058-OB	50



227-4040-CW

SMOOTH (NON-ADJUST.)

DIRECTIONAL

Part No.	Bulk Qty.
227-4040-CW	200
227-4040-BC	200
227-4040-BO	200
227-4048-PC	120
227-4048-BN	50
227-4048-OB	50
227-4048-OB	50



227-4088-BC

SMOOTH (NON-ADJUST.)

TWIN SPIN

Part No.	Bulk Qty.
227-4088-CW	120
227-4088-BC	120
227-4088-BO	120
227-4088-PC	50
227-4088-BN	50
227-4088-OB	50
227-4088-OB	50
227-4088-OB	50



227-4010-BO

3-SCALLOP

DIRECTIONAL

Part No.	Bulk Qty.
227-4010-CW	200
227-4010-BC	200
227-4010-BO	200
227-4018-PC	120
227-4018-BN	50
227-4018-OB	50
227-4018-OB	50



227-4068-BC

3-SCALLOP

TWIN SPIN

Part No.	Bulk Qty.
227-4068-CW	120
227-4068-BC	120
227-4068-BO	120
227-4068-PC	50
227-4068-BN	50
227-4068-OB	50
227-4068-OB	50
227-4068-OB	50

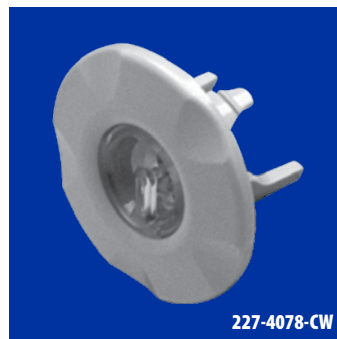


227-4020-BC

5-SCALLOP

DIRECTIONAL

Part No.	Bulk Qty.
227-4020-CW	200
227-4020-BC	200
227-4020-BO	200
227-4028-PC	120
227-4028-BN	50
227-4028-OB	50
227-4028-OB	50



227-4078-CW

5-SCALLOP

TWIN SPIN

Part No.	Bulk Qty.
227-4078-CW	120
227-4078-BC	120
227-4078-BO	120
227-4078-PC	50
227-4078-BN	50
227-4078-OB	50
227-4078-OB	50



215-1200

215-1210

WALL FITTINGS
0.875" (215-1200) • 0.650" (215-1210)

SILICONE PORTS

NO SILICONE PORTS

Part No.	Bulk Qty.	Part No.	Bulk Qty.
215-1200	300	215-1210	300

HOLE SAW SIZE: 1 3/4"



227-8628

250-CS TWIN SPIN SUB'ASSY

Part No.	Bulk Qty.
227-8628	1



X7 = 0.275" Fixed Orifice • A7 = 0.275" Adjustable Orifice • A5 = 0.250" Adjustable Orifice • A3 = 0.312" Adjustable Orifice



45° JET BODY
1" S x 1" S x 3/8" BARB

SILICONE PORTS		NO SILICONE PORTS	
Part No.	Bulk Qty.	Part No.	Bulk Qty.
227-1200-X7	100	227-1160-X7	100
227-1200-A7	100	227-1160-A7	100
227-1200-A5	100	227-1160-A5	100
227-1200-A3	100	227-1160-A3	100



SAME SIDE END JET BODY
1" S x 3/8" BARB

SILICONE PORTS		NO SILICONE PORTS	
Part No.	Bulk Qty.	Part No.	Bulk Qty.
227-1210-X7	150	227-1310-X7	150
227-1210-A7	150	227-1310-A7	150
227-1210-A5	150	227-1310-A5	150
227-1210-A3	150	227-1310-A3	150



STRAIGHT JET BODY
1" S x 1" S x 3/8" BARB

SILICONE PORTS		NO SILICONE PORTS	
Part No.	Bulk Qty.	Part No.	Bulk Qty.
227-1230-X7	100	227-1330-X7	100
227-1230-A7	100	227-1330-A7	100
227-1230-A5	100	227-1330-A5	100
227-1230-A3	100	227-1330-A3	100



250-CS AND 250-ES JET
1/2" x 1" Jet Body

SILICONE PORTS		NO SILICONE PORTS	
Part No.	Bulk Qty.	Part No.	Bulk Qty.
227-2470-X7	150	227-2460-X7	150
227-2470-A7	150	227-2460-A7	150
227-2470-A5	150	227-2460-A5	150
227-2470-A3	150	227-2460-A3	150



45° JET BODY (26mm)
1" SB x 1" SB x 3/8" BARB (26 mm)

SILICONE PORTS		NO SILICONE PORTS	
Part No.	Bulk Qty.	Part No.	Bulk Qty.
227-1220-X7	150	227-1170-X7	150
227-1220-A7	150	227-1170-A7	150
227-1220-A5	150	227-1170-A5	150
227-1220-A3	150	227-1170-A3	150



SAME SIDE END JET BODY
1" SB x 3/8" BARB

SILICONE PORTS		NO SILICONE PORTS	
Part No.	Bulk Qty.	Part No.	Bulk Qty.
227-1270-X7	150	227-1370-X7	150
227-1270-A7	150	227-1370-A7	150
227-1270-A5	150	227-1370-A5	150
227-1270-A3	150	227-1370-A3	150



SP SAME SIDE JET BODY
3/4" SB x 3/8" BARB

SILICONE PORTS		NO SILICONE PORTS	
Part No.	Bulk Qty.	Part No.	Bulk Qty.
227-1380-X7	150	227-1390-X7	150
227-1380-A7	150	227-1390-A7	150
227-1380-A5	150	227-1390-A5	150
227-1380-A3	150	227-1390-A3	150



ORIFICE NOZZLES

0.250" (212-2317)
0.275" (212-2301 & 217-1230)
0.312" (212-2320)

ADJUSTABLE		NON-ADJUSTABLE	
Part No.	Bulk Qty.	Part No.	Bulk Qty.
212-2317	1	217-1230	1
212-2301	1		
212-2320	1		



BATH JET ORIFICE WRENCH

Part No.	Bulk Qty.
218-1000	1

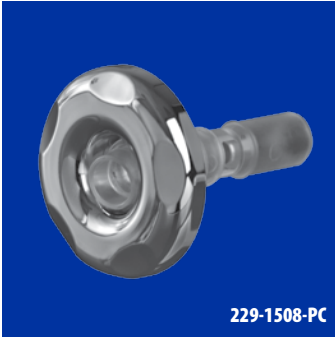
WALL FITTING TOOL (WITH PINS)

Part No.	Bulk Qty.
218-0750	1



DOUBLE WIRE HOSE CLAMP

Part No.	Bulk Qty.
872-0300	1,000



229-1508-PC

200-LS - DIRECTIONAL

200-LS - SMOOTH

Part No.	Bulk Qty.
229-1510-CW	300
229-1510-BC	300
229-1510-BO	300
229-1518-PC	120
229-1518-BN	50
229-1518-OB	50
229-1518-OB	50

200-LS - 5-SCALLOP

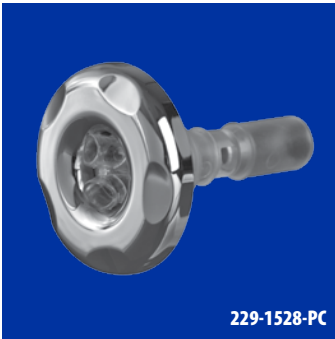
Part No.	Bulk Qty.
229-1500-CW	300
229-1500-BC	300
229-1500-BO	300
229-1508-PC	120
229-1508-BN	50
229-1508-OB	50
229-1508-OB	50



718-5100

JET BODY NUT

Part No.	Bulk Qty.
718-5100	600



229-1528-PC

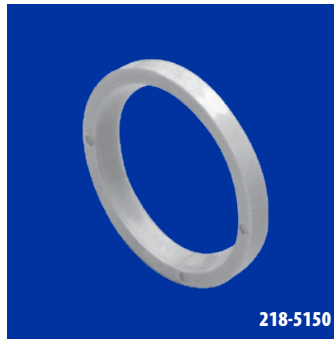
200-LS - TWIN ROTO

200-LS - SMOOTH

Part No.	Bulk Qty.
229-1530-CW	300
229-1530-BC	300
229-1530-BO	300
229-1538-PC	120
229-1538-BN	50
229-1538-OB	50
229-1538-OB	50

200-LS - 5-SCALLOP

Part No.	Bulk Qty.
229-1520-CW	300
229-1520-BC	300
229-1520-BO	300
229-1528-PC	120
229-1528-BN	50
229-1528-OB	50
229-1528-OB	50



218-5150

JET BODY SELF-ALIGNMENT RING

Part No.	Bulk Qty.
218-5150	500



228-5170

SAME SIDE BODY
3/8" SB x 3/4" SB

Part No.	Bulk Qty.
228-5170	150

HOLE SAW SIZE: 1 1/2"



711-5040

GROMMET GASKET

Part No.	Bulk Qty.
711-5040	500



806-0060

SILICONE GASKET

Part No.	Bulk Qty.
806-0060	500



229-8720-CW

300-LS - DIRECTIONAL

300-LS - SMOOTH

Part No.	Bulk Qty.
229-8710-CW	200
229-8710-BC	200
229-8710-BO	200
229-8718-PC	120
229-8718-BN	50
229-8718-OB	50
229-8718-OB	50
229-8718-OB	50

300-LS - 5-SCALLOP

Part No.	Bulk Qty.
229-8720-CW	200
229-8720-BC	200
229-8720-BO	200
229-8728-PC	120
229-8728-BN	50
229-8728-OB	50
229-8728-OB	50
229-8728-OB	50

100% Shut-off - 5-SCALLOP

Part No.	Bulk Qty.
225-8720-CW	200
225-8720-BC	200
225-8720-BO	200
225-8728-PC	120
225-8728-BN	50
225-8728-OB	50
225-8728-OB	50
225-8728-OB	50



229-7930-CW

300-LS - FIXED SINGLE ROTOR

300-LS - SMOOTH

Part No.	Bulk Qty.
229-7910-CW	200
229-7910-BC	200
229-7910-BO	200
229-7918-PC	120
229-7918-BN	50
229-7918-OB	50
229-7918-OB	50
229-7918-OB	50

300-LS - 5-SCALLOP

Part No.	Bulk Qty.
229-7930-CW	200
229-7930-BC	200
229-7930-BO	200
229-7938-PC	120
229-7938-BN	50
229-7938-OB	50
229-7938-OB	50
229-7938-OB	50

100% Shut-off - 5-SCALLOP

Part No.	Bulk Qty.
225-7930-CW	200
225-7930-BC	200
225-7930-BO	200
225-7938-PC	120
225-7938-BN	50
225-7938-OB	50
225-7938-OB	50
225-7938-OB	50



229-8480-CW

300-LS - FIXED TWIN ROTOR

300-LS - SMOOTH

Part No.	Bulk Qty.
229-8460-CW	200
229-8460-BC	200
229-8460-BO	200
229-8468-PC	120
229-8468-BN	50
229-8468-OB	50
229-8468-OB	50
229-8468-OB	50

300-LS - 5-SCALLOP

Part No.	Bulk Qty.
229-8480-CW	200
229-8480-BC	200
229-8480-BO	200
229-8488-PC	120
229-8488-BN	50
229-8488-OB	50
229-8488-OB	50
229-8488-OB	50

100% Shut-off - 5-SCALLOP

Part No.	Bulk Qty.
225-8480-CW	200
225-8480-BC	200
225-8480-BO	200
225-8488-PC	120
225-8488-BN	50
225-8488-OB	50
225-8488-OB	50
225-8488-OB	50



229-7800-CW

300-LS - MASSAGE

300-LS - SMOOTH

Part No.	Bulk Qty.
229-7810-CW	200
229-7810-BC	200
229-7810-BO	200
229-7818-PC	120
229-7818-BN	50
229-7818-OB	50
229-7818-OB	50
229-7818-OB	50

300-LS - 5-SCALLOP

Part No.	Bulk Qty.
229-7800-CW	200
229-7800-BC	200
229-7800-BO	200
229-7808-PC	120
229-7808-BN	50
229-7808-OB	50
229-7808-OB	50
229-7808-OB	50



229-8370-CW

300-LS - MULTI MASSAGE

300-LS - SMOOTH

Part No.	Bulk Qty.
229-8380-CW	200
229-8380-BC	200
229-8380-BO	200
229-8388-PC	120
229-8388-BN	50
229-8388-OB	50
229-8388-OB	50
229-8388-OB	50

300-LS - 5-SCALLOP

Part No.	Bulk Qty.
229-8370-CW	200
229-8370-BC	200
229-8370-BO	200
229-8378-PC	120
229-8378-BN	50
229-8378-OB	50
229-8378-OB	50
229-8378-OB	50



350-XLS - DIRECTIONAL

350-XLS - SMOOTH	
Part No.	Bulk Qty.
229-7825-CW	150
229-7825-BC	150
229-7825-B0	150
229-7825-PC	120
229-7825-BN	50
229-7825-OB	50
229-7825-0BB	50

350-XLS - 5-SCALLOP	
Part No.	Bulk Qty.
229-7820-CW	150
229-7820-BC	150
229-7820-B0	150
229-7828-PC	120
229-7828-BN	50
229-7828-OB	50
229-7828-0BB	50



350-XLS - FIXED SINGLE ROTOR

350-XLS - SMOOTH	
Part No.	Bulk Qty.
229-7915-CW	150
229-7915-BC	150
229-7915-B0	150
229-7915-PC	120
229-7915-BN	50
229-7915-OB	50
229-7915-0BB	50

350-XLS - 5-SCALLOP	
Part No.	Bulk Qty.
229-7835-CW	150
229-7835-BC	150
229-7835-B0	150
229-7835-PC	120
229-7835-BN	50
229-7835-OB	50
229-7835-0BB	50



350-XLS - FIXED TWIN ROTOR

350-XLS - SMOOTH	
Part No.	Bulk Qty.
229-8470-CW	150
229-8470-BC	150
229-8470-B0	150
229-8478-PC	120
229-8478-BN	50
229-8478-OB	50
229-8478-0BB	50

350-XLS - 5-SCALLOP	
Part No.	Bulk Qty.
229-8490-CW	150
229-8490-BC	150
229-8490-B0	150
229-8498-PC	120
229-8498-BN	50
229-8498-OB	50
229-8498-0BB	50



350-XLS - MASSAGE

350-XLS - SMOOTH	
Part No.	Bulk Qty.
229-7815-CW	150
229-7815-BC	150
229-7815-B0	150
229-7815-PC	120
229-7815-BN	50
229-7815-OB	50
229-7815-0BB	50

350-XLS - 5-SCALLOP	
Part No.	Bulk Qty.
229-7855-CW	150
229-7855-BC	150
229-7855-B0	150
229-7855-PC	120
229-7855-BN	50
229-7855-OB	50
229-7855-0BB	50



350-XLS - MULTI MASSAGE

350-XLS - SMOOTH	
Part No.	Bulk Qty.
229-8385-CW	150
229-8385-BC	150
229-8385-B0	150
229-8385-PC	120
229-8385-BN	50
229-8385-OB	50
229-8385-0BB	50

350-XLS - 5-SCALLOP	
Part No.	Bulk Qty.
229-8390-CW	150
229-8390-BC	150
229-8390-B0	150
229-8398-PC	120
229-8398-BN	50
229-8398-OB	50
229-8398-0BB	50



SAME SIDE JET BODY
3/4" SPG x 1/2" S x 3/8" SB

Part No. Bulk Qty.

228-0350 180

HOLE SAW SIZE: 2 1/4"



SAME SIDE END JET BODY
3/4" SB x 3/8" BARB

Part No. Bulk Qty.

228-0370 180

HOLE SAW SIZE: 2 1/4"



45° WYE ADAPTER
1" S x 1" S x 3/4" S

Part No. Bulk Qty. (FOR 228-0350)

413-1340 100



JET BODY NUT

Part No. Bulk Qty.

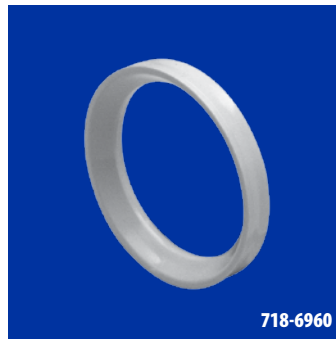
718-6900 600



45° WYE ADAPTER (26mm)
1" SB x 1" SB x 3/4" S
(FOR 228-0350)

Part No. Bulk Qty.

413-1350 150



JET BODY SELF-ALIGNMENT RING

Part No. Bulk Qty.

718-6960 700



STRAIGHT TEE ADAPTER
1" S x 1" S x 3/4" S
(FOR 228-0350)

Part No. Bulk Qty.

413-2080 100



JET BODY GROMMET GASKET

Part No. Bulk Qty.

711-6940 600



CAP
1" S (26mm)

Part No. Bulk Qty.

715-1350 200



INVERTED PLUG
1" SPG

Part No. Bulk Qty.

715-2000 200



180° JET SERIES



180° JET INTERNAL ADJUSTABLE

Part No.	Bulk Qty.
210-5250	80

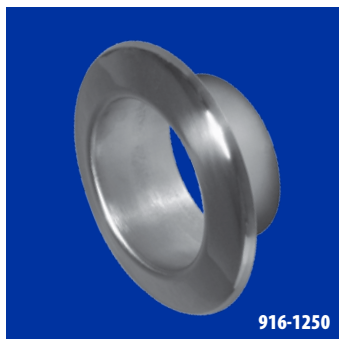
210-5250



180° JET INTERNAL WHIRLY

Part No.	Bulk Qty.
210-6250	80

210-6250



180° JET ESCUTCHEON CHROME

Part No.	Bulk Qty.
916-1250	50

916-1250



180° JET TEE BODY 1/2" S AIR x 1" S WATER

Part No.	Bulk Qty.
210-6300	50

210-6300

HOLE SAW SIZE: 2 1/2"

STANDARD MINI JET SERIES



STANDARD MINI JET INTERNAL - DIRECTIONAL

Part No.	Bulk Qty.
224-0050	150

224-0050



STANDARD MINI JET INTERNAL - PULSATOR

Part No.	Bulk Qty.
224-0060	150

224-0060



STANDARD MINI JET INTERNAL - WHIRLY

Part No.	Bulk Qty.
224-0070	75

224-0070



STANDARD MINI JET BODY TEE - 1/2" S AIR x 1" S WATER

Part No.	Bulk Qty.
222-0060	25

222-0060



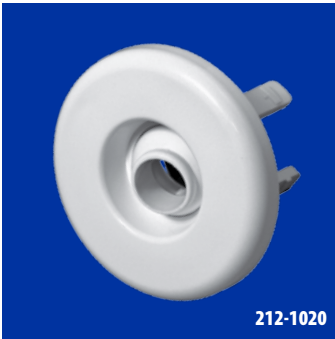
STANDARD MINI JET WALL FITTING GASKET

Part No.	Bulk Qty.
711-0010	300

711-0010



ADJUSTABLE MINI JET SERIES



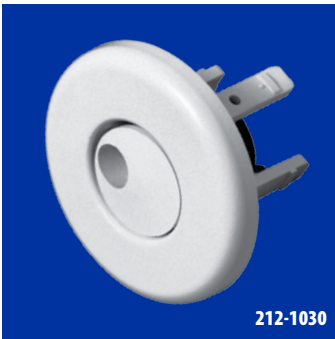
ADJUSTABLE MINI JET INTERNAL - ADJUSTABLE

Part No.	Bulk Qty.
212-1020	100



ADJUSTABLE MINI JET INTERNAL - PULSATOR

Part No.	Bulk Qty.
212-1030	50



ADJUSTABLE MINI JET INTERNAL - WHIRLY

Part No.	Bulk Qty.
212-1040	100



CUSTOM DIRECTIONAL

Part No.	Bulk Qty.
212-1360-CW	200
212-1360-BC	200
212-1360-B0	200
212-1368-PC	120
212-1368-BN	50
212-1368-OB	50
212-1368-0BB	50

CUSTOM SINGLE ROTATIONAL

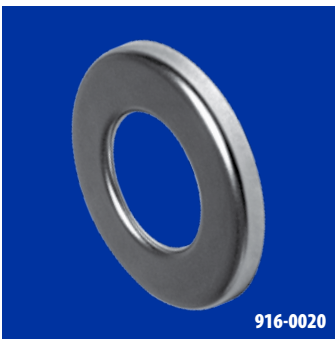
Part No.	Bulk Qty.
212-1370-CW	200
212-1370-BC	200
212-1370-B0	200
212-1378-PC	120
212-1378-BN	50
212-1378-OB	50
212-1378-0BB	50



ADJUSTABLE MINI JET BODY TEE - 1\"/>

Part No.	Bulk Qty.
222-0250	25

Wall Fitting Included



STD. & ADJ. MINI JET CHROME ESCUTCHEON

Part No.	Bulk Qty.
916-0020	1



ADJUSTABLE MINI JET BODY TEE - 1\"/>

Part No.	Bulk Qty.
222-0030	25

Wall Fitting Included



FLAT AIR BUTTON

COMPLETE ASSEMBLY

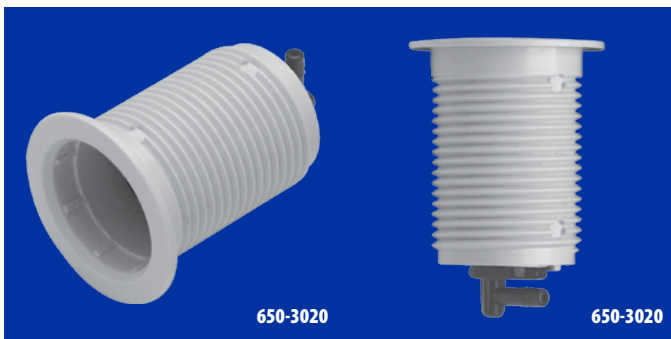
Part No.	Bulk Qty.
650-3040-CW	200
650-3040-BC	200
650-3040-B0	200
650-3040-PC	120
650-3040-BN	50
650-3040-OB	50
650-3040-OB	50
650-3040-OB	50



RAISED AIR BUTTON

COMPLETE ASSEMBLY

Part No.	Bulk Qty.
650-3030-CW	200
650-3030-BC	200
650-3030-B0	200
650-3030-PC	120
650-3030-BN	50
650-3030-OB	50
650-3030-OB	50
650-3030-OB	50



AIR BUTTON BODY ASSEMBLY (LESS TRIM SET)

Part No.	Bulk Qty.
650-3020	200



FLAT TRIM SET

FLAT TRIM SET

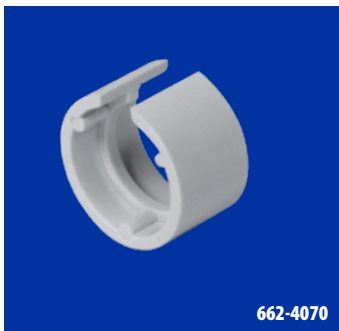
Part No.	Bulk Qty.
650-3060-CW	200
650-3060-BC	200
650-3060-B0	200
650-3060-PC	120
650-3060-BN	50
650-3060-OB	50
650-3060-OB	50



RAISED TRIM SET

RAISED TRIM SET

Part No.	Bulk Qty.
650-3070-CW	200
650-3070-BC	200
650-3070-B0	200
650-3070-PC	120
650-3070-BN	50
650-3070-OB	50
650-3070-OB	50



AIR BUTTON BARB SHROUD

Part No.	Bulk Qty.
662-4070	200



660-3270-CW

AIR CONTROL - SMOOTH

COMPLETE ASSEMBLY

Part No.	Bulk Qty.
660-3270-CW	200
660-3270-BC	200
660-3270-BO	200
660-3270-PC	120
660-3270-BN	50
660-3270-OB	50
660-3270-0BB	50

SMOOTH CAP ONLY

Part No.	Bulk Qty.
662-1960-CW	200
662-1960-BC	200
662-1960-BO	200
662-1960-PC	120
662-1960-BN	50
662-1960-OB	50
662-1960-0BB	50



660-3280-CW

AIR CONTROL - WINDOW

COMPLETE ASSEMBLY

Part No.	Bulk Qty.
660-3280-CW	200
660-3280-BC	200
660-3280-BO	200
660-3280-PC	120
660-3280-BN	50
660-3280-OB	50
660-3280-0BB	50

WINDOW CAP ONLY

Part No.	Bulk Qty.
662-1950-CW	200
662-1950-BC	200
662-1950-BO	200
662-1950-PC	120
662-1950-BN	50
662-1950-OB	50
662-1950-0BB	50



660-3250

AIR CONTROL BODY ASSEMBLY

Part No.	Bulk Qty.
660-3250	200



660-3210

TOPSIDE AIR CONTROL 1/2" S

Part No.	Bulk Qty.
660-3210-CW	200
660-3210-BC	200
660-3210-BO	200



660-3290-CW

660-3290-CW

SELECT-A-SPEED

COMPLETE ASSEMBLY

Part No.	Bulk Qty.
660-3290-CW	120
660-3290-BC	120
660-3290-BO	120
660-3290-PC	50
660-3290-BN	50
660-3290-OB	50
660-3290-0BB	50

WINDOW CAP ONLY

Part No.	Bulk Qty.
662-1950-CW	120
662-1950-BC	120
662-1950-BO	120
662-1950-PC	50
662-1950-BN	50
662-1950-OB	50
662-1950-0BB	50



660-3240

SELECT-A-SPEED BODY ASSEMBLY

Part No.	Bulk Qty.
660-3240	120



AIR TOGGLE CONTROL - Short

COMPLETE ASSEMBLY

Part No.	Bulk Qty.
650-2000-CW	200
650-2000-BC	200
650-2000-BO	200
650-2000-PC	120
650-2000-BN	50
650-2000-OB	50
650-2000-OB	50
650-2000-OB	50



AIR TOGGLE CONTROL - Long

COMPLETE ASSEMBLY

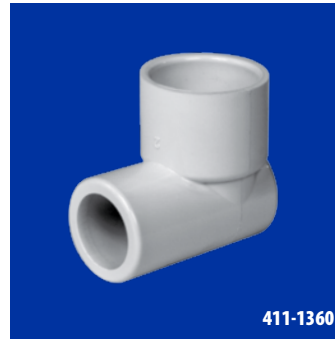
Part No.	Bulk Qty.
650-1000-CW	200
650-1000-BC	200
650-1000-BO	200
650-1000-PC	120
650-1000-BN	50
650-1000-OB	50
650-1000-OB	50
650-1000-OB	50



**CHECK VALVE MANIFOLD
1" S x (12) 3/8" BARBS
W/ (4) 3/8" BARB PLUGS**

Part No.	Qty.
675-5600	1

675-5600



**MANIFOLD ELBOW
1" SPG x 1" S 90°**

Part No.	Qty.
411-1360	1

411-1360



**CHECK VALVE MANIFOLD
1.5" S x (12) 3/8" BARBS
W/ (4) 3/8" BARB PLUGS**

Part No.	Qty.
675-5610	1

675-5610



**MANIFOLD ELBOW
1" SPG x 1.5" S x 90°**

Part No.	Qty.
411-1370	1

411-1370



**CHECK VALVE MANIFOLD
BLOWER HOSE x (12) 3/8"
BARBS W/ (4) 3/8" BARB
PLUGS**

Part No.	Qty.
675-5620	1

675-5620



**MANIFOLD ELBOW
1" SPG x BLOWER
HOSE 90°**

Part No.	Qty.
411-1380	1

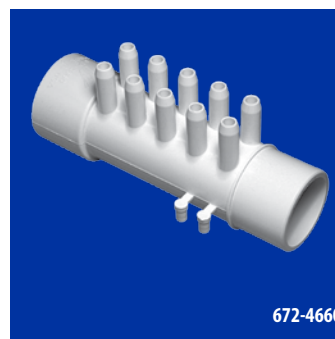
411-1380



**AIR MANIFOLD
1" S x (12) 3/8" BARBS
W/ (4) 3/8" BARB PLUGS**

Part No.	Qty.
672-5630	1

672-5630



**Barbs with
Plugs (4)
1 1/2" Spigot x
1 1/2" S x
(10) 3/8" Barbs**

Part No.	Bulk Qty.
672-4660	50

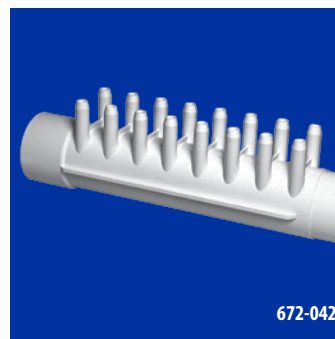
672-4660



**CHECK BALL FOR AIR
MANIFOLD**

Part No.	Qty.
862-2010	1

862-2010



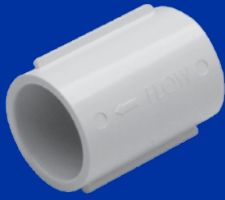
**1 1/2" S x 1 1/2"
Spigot x
(16) 3/8" SB Barbs**

Part No.	Bulk Qty.
672-0420	50

672-0420



Check Valves



670-1100

1" CHECK VALVE WITH DIAPHRAGM

Part No. Bulk Qty.

670-1100 100



600-0500

UNIONIZED CHECK VALVE (1/4 LB. SPRING) 1 1/2" S x 1 1/2" S

Part No. Bulk Qty.

600-0500 36

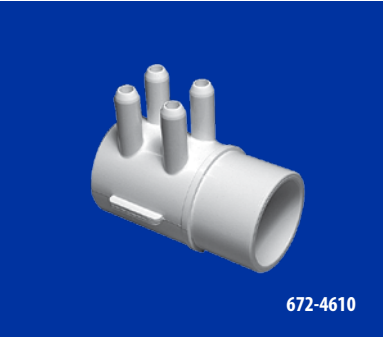


600-0510

UNIONIZED CHECK VALVE (3/32 LB. SPRING) 1 1/2" S x 1 1/2" S

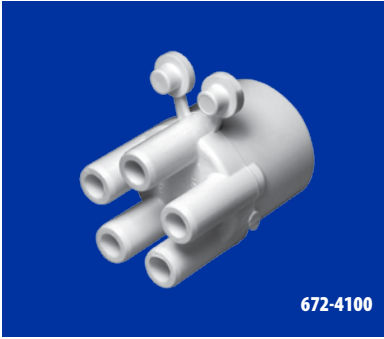
Part No. Bulk Qty.

600-0510 36



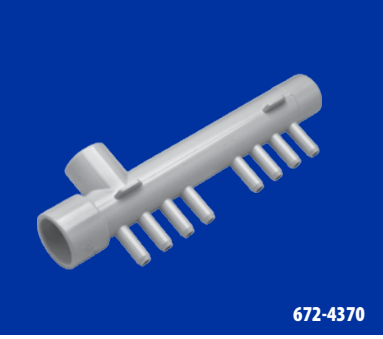
**1 1/2" S x Blind Hole
x (4) 3/8" SB**

Part No.	Bulk Qty.
672-4610	150



**MANIFOLD
1" SPG x (5) 3/8" SB**

Part No.	Bulk Qty.
672-4100	160



**MANIFOLD TEE
1" SPG x 1" S x
(8) 3/8" SB**

Part No.	Bulk Qty.
672-4370	50



**WYE
(3) 3/8" BARB**

Part No.	Bulk Qty.
413-1940	500



**MANIFOLD
1" S x 1" SPG x
(4) 3/8" RB**

Part No.	Bulk Qty.
672-0400	50



**9/16" TRIPLE "C"
CLIP TUBING
HOLDER**

Part No.	Bulk Qty.
672-1440	500



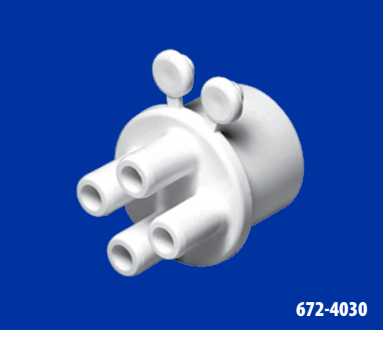
**MANIFOLD
1" SPG x (2) 3/8" SB**

Part No.	Bulk Qty.
672-4010	250



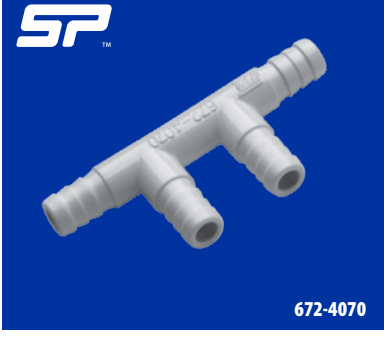
**TEE
(3) 3/8" BARB**

Part No.	Bulk Qty.
413-1900	500



**MANIFOLD
1" SPG x (4) 3/8" SB**

Part No.	Bulk Qty.
672-4030	250

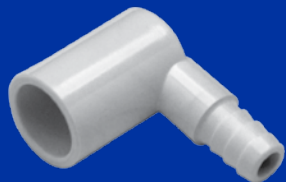


**MANIFOLD
(4) 3/8" RB**

Part No.	Bulk Qty.
672-4070	500



Fittings



425-0220

90° ADAPTER 1/2" SPG x 3/8" RB

Part No. Bulk Qty.

425-0220 500



411-4010

90° ELL 1 1/2" S x 1 1/2" S

Part No. Bulk Qty.

411-4010 50



425-0210

STRAIGHT ADAPTER 1" SPG x 3/8" RB

Part No. Bulk Qty.

425-0210 500



411-5550

90° ELL 1 1/2" SPG x 1 1/2" SPG

Part No. Bulk Qty.

411-5550 50



425-0200

2-WAY ADAPTER (2) 3/8" SB x 1/2" SPG

Part No. Bulk Qty.

425-0200 330

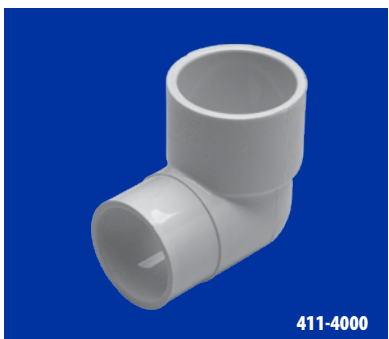


421-4020

BELL REDUCER 1 1/2" S x 1" S

Part No. Bulk Qty.

421-4020 75



411-4000

90° STREET ELL 1 1/2" S x 1 1/2" SPG

Part No. Bulk Qty.

411-4000 130



SUCTION COVER

COVER ONLY	
Part No.	Bulk Qty.
643-4460-CW	200
643-4460-BC	200
643-4460-B0	200
643-4460-PC	120
643-4460-BN	50
643-4460-0B	50
643-4460-0BB	50



HV SUCTION COVER

COVER ONLY	
Part No.	Bulk Qty.
643-5070-CW	200
643-5070-BC	200
643-5070-B0	200
643-5070-PC	120
643-5070-BN	50
643-5070-0B	50
643-5070-0BB	50



**2" S ELL (NO/SIL)
1/2" S PORT**

Part No.	Bulk Qty.
642-4820	50

**2" S ELL (W/SIL)
1/2" S PORT**

Part No.	Bulk Qty.
642-4830	50



SUCTION WALL FITTING

Part No.	Bulk Qty.
215-5080	100

HOLE SAW SIZE: 2 3/4"

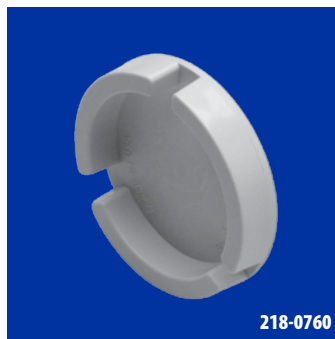


**1 1/2" S ELL (NO/SIL)
1/2" S PORT**

Part No.	Bulk Qty.
642-4040	50

**1 1/2" S ELL (W/SIL)
1/2" S PORT**

Part No.	Bulk Qty.
642-4030	50



SUCTION WRENCH

Part No.	Bulk Qty.
218-0760	1



**1 1/2" S ELL LP (NO/SIL)
1/2" S PORT**

Part No.	Bulk Qty.
642-4090	50

**1 1/2" S ELL LP (W/SIL)
1/2" S PORT**

Part No.	Bulk Qty.
642-4080	50



SUCTION GASKET (OPTIONAL)

Part No.	Bulk Qty.
711-5080	200



1 1/2" S TEE (W/SIL)

Part No.	Bulk Qty.
642-4050	50

1 1/2" S TEE (NO/SIL)

Part No.	Bulk Qty.
642-4060	50



**90° ELL (OPTIONAL)
1/2" SPG x 3/8" RB**

Part No.	Bulk Qty.
425-0220	500

**90° ELL (Check Valve)
1/2" SPG x 3/8" RB**

Part No.	Bulk Qty.
600-1110	200



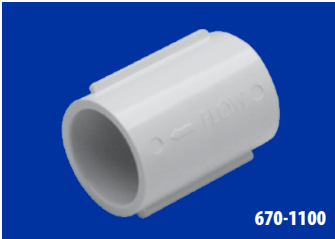
**1/2" S NEOPERL
CHECK VALVE
WITH CAP/FOAM**

Part No.	Bulk Qty.
670-2270	125



**1/2" S TEE NEOPERL
CHECK VALVE
WITH CAP/FOAM**

Part No.	Bulk Qty.
670-2220	125



**1" CHECK VALVE
WITH DIAPHRAGM**

Part No.	Bulk Qty.
670-1100	100



**UNIONIZED
CHECK VALVE
(1/4 LB. SPRING)
1 1/2" S x 1 1/2" S**

Part No.	Bulk Qty.
600-0500	36



**UNIONIZED
CHECK VALVE
(3/32 LB. SPRING)
1 1/2" S x 1 1/2" S**

Part No.	Bulk Qty.
600-0510	36



**90° ELBOW
(Check Valve)
1/2" SPG x 3/8" RB**

Part No.	Bulk Qty.
600-1110	200

Gray 600-1110



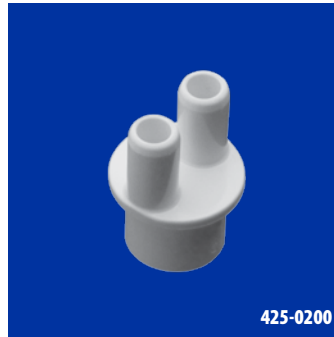
**STRAIGHT
ADAPTER
1/2" SPG x 3/8" RB**

Part No.	Bulk Qty.
425-0210	500



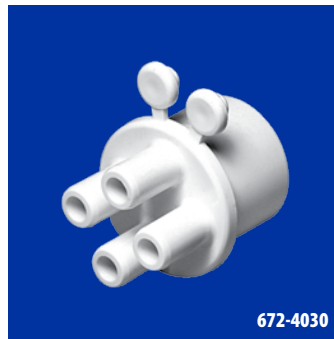
**90° ADAPTER
1/2" SPG x 3/8" RB**

Part No.	Bulk Qty.
425-0220	500



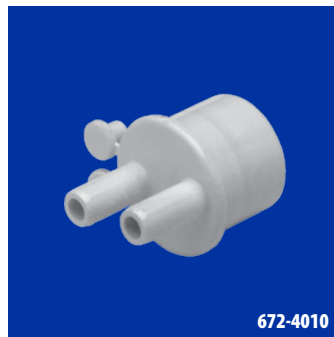
**2-WAY ADAPTER
(2) 3/8" SB x 1/2" SPG**

Part No.	Bulk Qty.
425-0200	330



**MANIFOLD
1" SPG x (4) 3/8" SB**

Part No.	Bulk Qty.
672-4030	250



**MANIFOLD
1" SPG x (2) 3/8" SB**

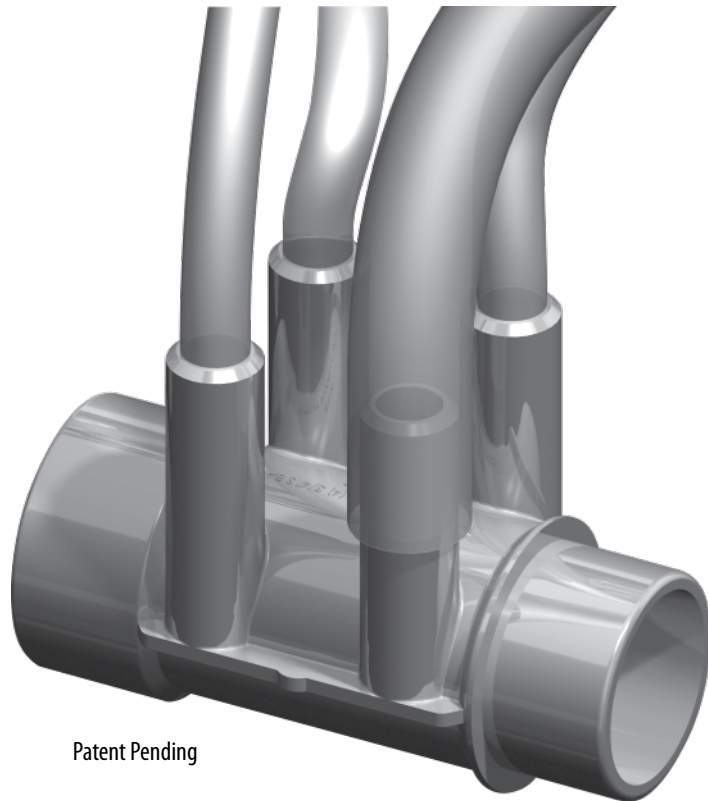
Part No.	Bulk Qty.
672-4010	250

672-4010



FEATURES:

- Use 3/8" and 3/4" tubing interchangeably
- Available in multiple Manifolds, Clips, Specialty Fittings, Pump Unions and Water Features
- Use with the 200-LS Jet Series
- Increase production capacity



Patent Pending

Waterway's versatile SmartPlumb™ system allows the user to interchangeably use either 3/8" or 3/4" tubing within the same manifold system. With this new exciting technology, it is now possible to save more than 30% on your jet plumbing! The ease of plumbing will increase your plumbing capacity significantly.





**MANIFOLD
(3) 1 1/2" S x (8) 3/4" SB**

Part No.	Bulk Qty.
672-5200	20



**MANIFOLD
1 1/2" S x 1 1/2" SPG x
(4) 3/4" SB**

Part No.	Bulk Qty.
672-4150	60



**MANIFOLD
1.5" S x 1.5" S x
6 3/4" SB**

Part No.	Bulk Qty.
672-5260	20



**MANIFOLD
1 1/2" S x DEAD END x
(4) 3/4" SB**

Part No.	Bulk Qty.
672-4960	75



**MANIFOLD
1.5" SPG x 1.5" S x
6 3/4" SB**

Part No.	Bulk Qty.
672-5240	20



**MANIFOLD
1" S x (4) 3/4" SB
CLUSTER CAP**

Part No.	Bulk Qty.
672-4410	50



**MANIFOLD
1.5" S x
6 3/4" SB Dead End**

Part No.	Bulk Qty.
672-5250	20



**MANIFOLD
1 1/2" S x (4) 3/4" SB
CLUSTER CAP**

Part No.	Bulk Qty.
672-4770	100



**MANIFOLD
1 1/2" S x 1 1/2" S x
(4) 3/4" SB**

Part No.	Bulk Qty.
672-4140	60



**150-CS JET BODY
3/8" SB x 1/2" SPG**

Part No.	Bulk Qty.
211-0370	400

SEE PAGE J-3.



**150-CS OFFSET
90° ELBOW
1/2" S x 3/4" SB**

Part No.	Bulk Qty.
411-0360	200



**200-LS
SAME SIDE BODY**
3/8" SB x 3/4" SB

Part No. Bulk Qty.

228-5170 150

SEE PAGE 14.

228-5170



ADAPTER
1 1/2" SPG x 3/4" SB

Part No. Bulk Qty.

413-4360 200

413-4360



**300-LS & 350-XLS
SAME SIDE JET BODY**
3/8" SB x 3/4" SB

Part No. Bulk Qty.

228-0370 180

SEE PAGE 17.

228-0370



END CAP
1.5" Slip x 2 3/4" SB
End Cap

Part No. Bulk Qty.

425-1090 400

425-1090



**250-CS & 250-ES
SAME SIDE JET BODY**
3/8" SB x 3/4" SB

SILICONE PORTS **NO SILICONE PORTS**

Part No. Bulk Qty. Part No. Bulk Qty.

227-1380-X7 150 **227-1390-X7** 150

227-1380-A7 150 **227-1390-A7** 150

227-1380-A5 150 **227-1390-A5** 150

227-1380-A3 150 **227-1390-A3** 150

227-1380-A7



ADAPTER
3/4" SB x 1" SPG x
3/4" S

Part No. Bulk Qty.

425-1070 400

425-1070



ADAPTER
1/2" SPG x 3/4" SB

Part No. Bulk Qty.

419-1920 400

419-1920



TEE
(3) 3/4" SB

Part No. Bulk Qty.

413-1800 200

413-1800



COUPLING
3/4" SB x 3/4" SB

Part No. Bulk Qty.

419-0900 250

419-0900



WYE
(3) 3/4" SB

Part No. Bulk Qty.

413-1960 250

413-1960



**WYE
(3) 3/8" BARB**

Part No.	Bulk Qty.
413-1940	500



**MANIFOLD
1/2" S x 1/2" S x
(6) 3/8" SB**

Part No.	Bulk Qty.
672-4690	50



**WYE
(2) 3/8" BARB x 3/8" S**

Part No.	Bulk Qty.
413-1910	400



**MANIFOLD
1/2" S x 1/2" S x
(3) 3/8" SB**

Part No.	Bulk Qty.
672-0550	150



**TEE
(3) 3/8" BARB**

Part No.	Bulk Qty.
413-1900	500



**MANIFOLD
(4) 3/8" RB**

Part No.	Bulk Qty.
672-4070	500



**2-WAY ADAPTER
(2) 3/8" SB x 1/2" SPG**

Part No.	Bulk Qty.
425-0200	330



**COUPLER
3/8" RB x 3/8" RB**

Part No.	Bulk Qty.
419-1000	500



**STRAIGHT
ADAPTER
1" SPG x 3/8" RB**

Part No.	Bulk Qty.
425-0210	500



**90° ADAPTER
1/2" SPG x 3/8" RB**

Part No.	Bulk Qty.
425-0220	500



**1 1/2" "C" CLIP
MANIFOLD HOLDER**

Part No.	Bulk Qty.
672-1430	200



**9/16" TRIPLE "C" CLIP
TUBING HOLDER**

Part No.	Bulk Qty.
672-1440	500



**3/4" "C" CLIP
WITH ZIP TIE LOOPS**

Part No.	Bulk Qty.
672-1460	500



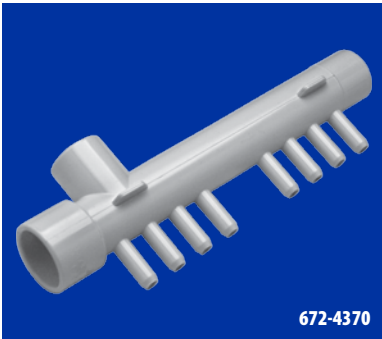
**STACKED TUBING CLIP
9/16" X 3/4"**

Part No.	Bulk Qty.
672-1450	200



**SP 3/4" DEEP
INVERTED PLUG**

Part No.	Bulk Qty.
715-0340	200



MANIFOLD TEE
1" SPG x 1" S x (8) 3/8" SB

Part No.	Bulk Qty.
672-4370	50

672-4370



MANIFOLD
1" SPG x (2) 3/8" SB

Part No.	Bulk Qty.
672-4010	250

672-4010



MANIFOLD
1" S x 1" S x (10) 3/8" SB

Part No.	Bulk Qty.
672-5080	100

672-5080



MANIFOLD
1" S x 1" SPG x (4) 3/8" RB

Part No.	Bulk Qty.
672-0400	50

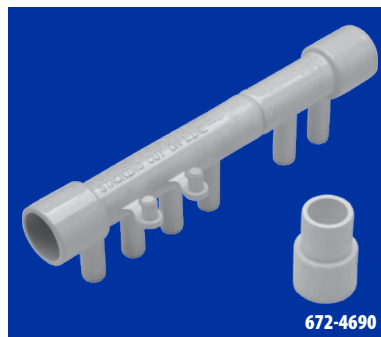
672-0400



MANIFOLD
1" S x 1" S x (6) 3/8" SB

Part No.	Bulk Qty.
672-5060	100

672-5060



MANIFOLD
1/2" S x 1/2" S x (6) 3/8" SB

Part No.	Bulk Qty.
672-4690	50

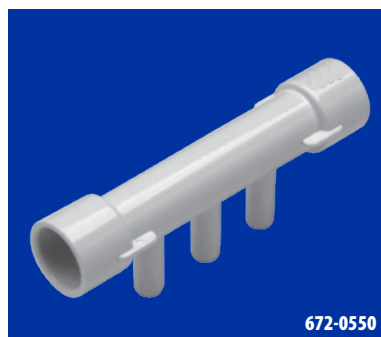
672-4690



MANIFOLD
1" SPG x (5) 3/8" SB

Part No.	Bulk Qty.
672-4100	160

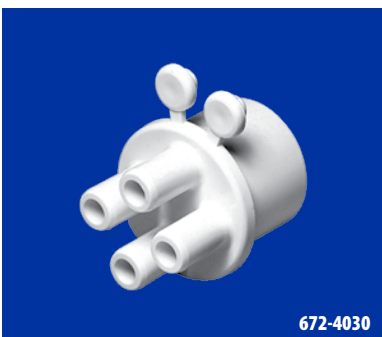
672-4100



MANIFOLD
1/2" S x 1/2" S x (3) 3/8" SB

Part No.	Bulk Qty.
672-0550	150

672-0550



MANIFOLD
1" SPG x (4) 3/8" SB

Part No.	Bulk Qty.
672-4030	250

672-4030



MANIFOLD
(4) 3/8" RB

Part No.	Bulk Qty.
672-4070	500

672-4070



90° ELL ADAPTER
1" S x 3/8" RB

Part No.	Bulk Qty.
425-4040	150



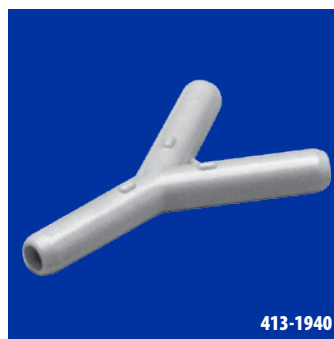
WYE
(2) 3/8" BARB x 3/8" S

Part No.	Bulk Qty.
413-1910	400



ADAPTER
1" SPG x 3/8" SB

Part No.	Bulk Qty.
425-5010	300



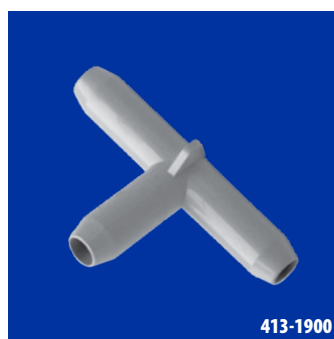
WYE
(3) 3/8" BARB

Part No.	Bulk Qty.
413-1940	500



2-WAY ADAPTER
(2) 3/8" SB x 1/2" SPG

Part No.	Bulk Qty.
425-0200	330



TEE
(3) 3/8" BARB

Part No.	Bulk Qty.
413-1900	500



STRAIGHT ADAPTER
1/2" SPG x 3/8" RB

Part No.	Bulk Qty.
425-0210	500



COUPLER
3/8" RB x 3/8" RB

Part No.	Bulk Qty.
419-1000	500



90° ADAPTER
1/2" SPG x 3/8" RB

Part No.	Bulk Qty.
425-0220	500



SMOOTH SADDLE BARB
3/8" SB FOR 1 1/2" PVC

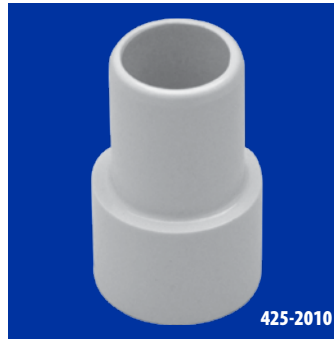
Part No.	Bulk Qty.
425-0230	400



715-0000

**INVERTED PLUG
1/2" SPG**

Part No.	Bulk Qty.
715-0000	800



425-2010

**ADAPTER
1" SPG x 1" SB**

Part No.	Bulk Qty.
425-2010	400



715-2000

**INVERTED PLUG
1" SPG**

Part No.	Bulk Qty.
715-2000	200



425-1070

**ADAPTER
3/4" SB x 1" SPG x 3/4" S**

Part No.	Bulk Qty.
425-1070	400



715-2150

**INVERTED PLUG
1 1/2" SPG**

Part No.	Bulk Qty.
715-2150	60



425-2240

**Adapter - 1.5" Slip x
3/8" Barb x 1.5" SPG**

Part No.	Bulk Qty.
425-2240	90



715-1350

**CAP
1" S (26mm)**

Part No.	Bulk Qty.
715-1350	100



672-1470

**NEW "C" CLIP
1" HOSE, 1" VINYL
OR 26MM VINYL**

Part No.	Bulk Qty.
672-1470	250



Fittings / Plumbing Fittings



45° ELL 1" S x 1" S

Part No.	Bulk Qty.
411-2010	150

411-2010



90° LEFT-HAND DRAIN ELL 1 1/2" S x 1 1/2" SPG

Part No.	Bulk Qty.
411-6050	50

411-6050



45° STREET ELL 1" S x 1" SPG

Part No.	Bulk Qty.
411-2020	50

411-2020



90° RIGHT-HAND DRAIN ELL 1 1/2" S x 1 1/2" SPG

Part No.	Bulk Qty.
411-6060	50

411-6060



45° STREET ELL 1 1/2" S x 1 1/2" SHORT SPG

Part No.	Bulk Qty.
411-4040	140

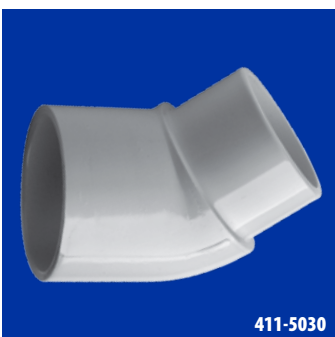
411-4040



90° STREET ELL 1" S x 1" SPG

Part No.	Bulk Qty.
411-2000	50

411-2000



45° STREET ELL 2" S x 2" SPG

Part No.	Bulk Qty.
411-5030	90

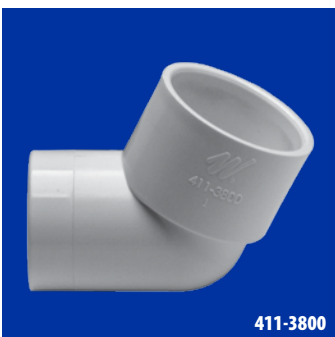
411-5030



90° STREET ELL 1 1/2" S x 1 1/2" SPG

Part No.	Bulk Qty.
411-4000	130

411-4000



65° ELL 1 1/2" S x 1 1/2" SHORT SPG

Part No.	Bulk Qty.
411-3800	50

411-3800



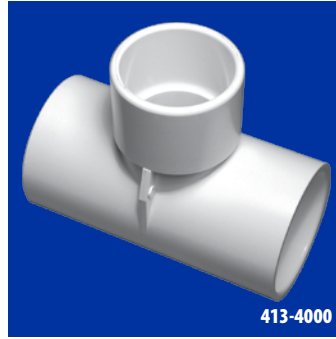
90° STREET ELL 1 1/2" S x 1 1/2" SPG x 1" S OUTLET

Part No.	Bulk Qty.
411-4080	50

411-4080



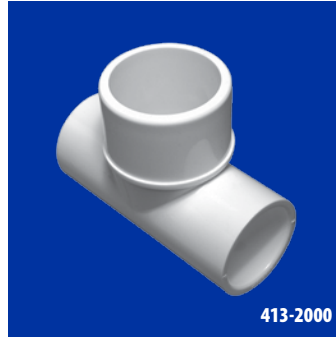
90° ELL
1 1/2" S x 1 1/2" S
 Part No. Bulk Qty.
411-4010 50



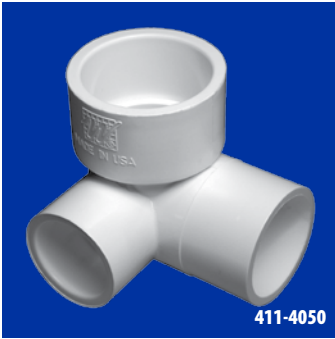
TEE
1 1/2" S x 1 1/2" S x 1 1/2" SPG
 Part No. Bulk Qty.
413-4000 90



90° ELL
1 1/2" SPG x 1 1/2" SPG
 Part No. Bulk Qty.
411-5550 50



TEE
1" S x 1" S x 1 1/2" SPG
 Part No. Bulk Qty.
413-2000 50



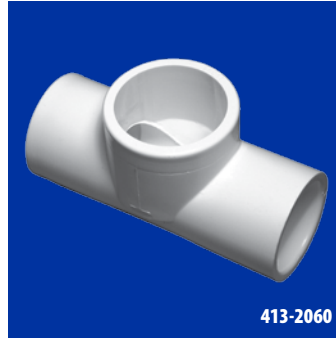
90° ELL
1 1/2" S x 1 1/2" SPG x 1" S SIDE OUTLET
 Part No. Bulk Qty.
411-4050 25



TEE
1" S x 1" S x 1 1/2" S
 Part No. Bulk Qty.
413-2030 140



SWEEP ELL
1 1/2" SPG x 1 1/2" S
 Part No. Bulk Qty.
411-9100 25



LOW PROFILE TEE
1" S x 1" S x 1 1/2" SPG
 Part No. Bulk Qty.
413-2060 50



SWEEP ELL
1 1/2" S x 1 1/2" S
 Part No. Bulk Qty.
411-9110 25



TEE
1" S x 1" S x 1" SPG
 Part No. Bulk Qty.
413-2080 100



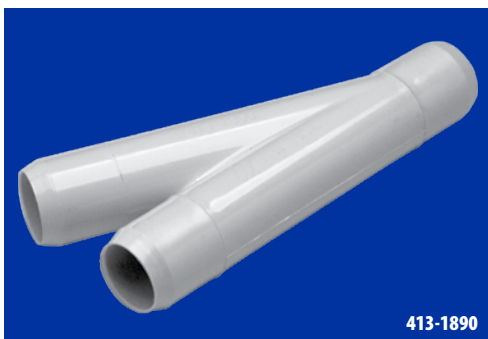
REDUCER TEE
1/2" S x 1/2" S x 1" S

Part No.	Bulk Qty.
413-1980	100



22.5° WYE
1" S x 1" S x 1" S

Part No.	Bulk Qty.
413-4150	170



22.5° WYE
(3) 1" SB (26mm)

Part No.	Bulk Qty.
413-1890	250



120° WYE
1 1/2" S x 1" S x 1" S

Part No.	Bulk Qty.
413-4130	140



U-BEND
2" S x 2" S

Part No.	Bulk Qty.
429-4000	50



ADAPTER
1/2" SPG x 3/4" SB
 Part No. Bulk Qty.
419-1920 400



ADAPTER
3/4" SB x 1" SPG x 3/4" S
 Part No. Bulk Qty.
425-1070 400



COUPLING
3/4" SB x 3/4" SB
 Part No. Bulk Qty.
419-0900 250



REDUCER
1" SPG x 1/2" S
 Part No. Bulk Qty.
421-1050 225



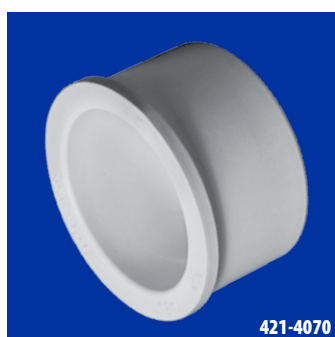
ADAPTER
1 1/2" SPG x 3/4" SB
 Part No. Bulk Qty.
413-4360 200



REDUCER
1 1/2" SPG x 1" SPG
 Part No. Bulk Qty.
421-4030 100



TEE
(3) 3/4" SB
 Part No. Bulk Qty.
413-1800 200



REDUCER
1 1/2" S x 2" SPG
 Part No. Bulk Qty.
421-4070 100



WYE
(3) 3/4" SB
 Part No. Bulk Qty.
413-1960 250



BELL REDUCER
1 1/2" S x 1" S
 Part No. Bulk Qty.
421-4020 75



Fittings / Miscellaneous Fittings



PLUG 3/8" SB

Part No.	Bulk Qty.
715-9870	100

715-9870



1 1/2" UNION NUT

Part No.	Bulk Qty.
415-4000	250

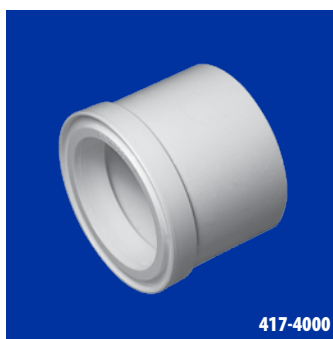
415-4000



HOSE PLUG 3/8" SB

Part No.	Bulk Qty.
715-9850	500

715-9850



1 1/2" UNION COMPONENT 1 1/2" FLANGE x 1 1/2" S TAILPIECE

Part No.	Bulk Qty.
417-4000	300

417-4000



PLUG 1 1/2" SPG

Part No.	Bulk Qty.
715-4000	100

715-4000



1 1/2" UNION COMPONENT 1 1/2" FLANGE x 1 1/2" SPG / 1" S TAILPIECE

Part No.	Bulk Qty.
417-2000	50

417-2000



CAP 1" S (26mm)

Part No.	Bulk Qty.
715-1350	100

715-1350



1 1/2" UNION COMPONENT 1 1/2" FLANGE x 1 1/2" S TAILPIECE (SHORT)

Part No.	Bulk Qty.
417-4080	150

417-4080



DOUBLE WIRE HOSE CLAMP 1 1/4" or 26MM

Part No.	Bulk Qty.
872-0300	1,000

872-0300



1 1/2" HEATER SPLIT NUT (INCLUDES SCREWS)

Part No.	Bulk Qty.
400-5461	150

400-5461



**1" S AROMA THERAPY TEE ASSEMBLY
SMOOTH 5-SCALLOP**

Part No.	Bulk Qty.
670-2850-CW	60
670-2850-BC	60
670-2850-B0	60
670-2850-PC	60
670-2850-BN	60
670-2850-OB	60
670-2850-0BB	60



**3.5" FRONT ACCESS
LIGHT ASSEMBLY**

Part No.	Bulk Qty.
630-6008NI	60



**2" FRONT ACCESS
LIGHT ASSEMBLY**

Part No.	Bulk Qty.
630-6220T	80

Without Tool

Part No.	Bulk Qty.
630-6220	80



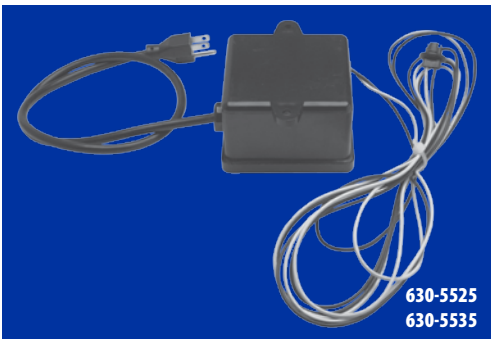
**BLUE & RED LENS COVERS
FOR 3" & 3.5" LIGHTS**

Part No.	Bulk Qty.
630-0005	75



**LED CUP HOLDER
LIGHT LENS**

Part No.	Bulk Qty.
630-0038	150

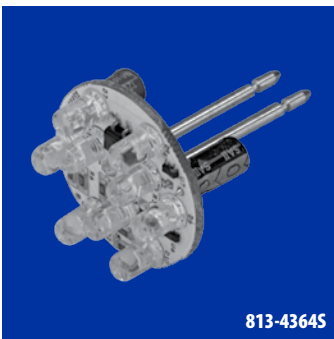


**POWER SUPPLY WITH
CORD AND HARNESS**

Part No.	Bulk Qty.
630-5525	20

**POWER SUPPLY WITH
AIR SWITCH, CORD, &
HARNESS**

Part No.	Bulk Qty.
630-5535	20



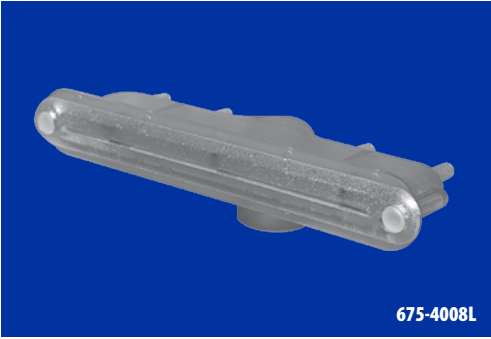
**9-LED LIGHT WITH
10 EFFECTS**

Part No.	Bulk Qty.
813-4364S	60



12 V BULB

Part No.	Bulk Qty.
813-4370	10

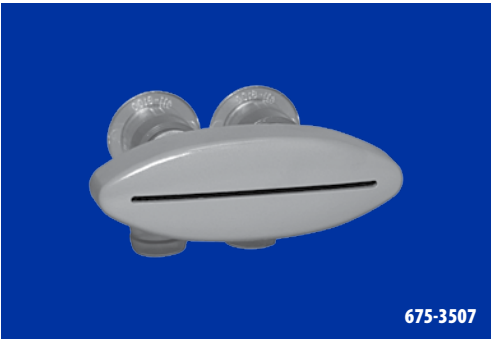


675-4008L

6" AQUA FALL

6" AQUA FALL	
Part No.	Bulk Qty.
675-4000	50
675-4000S	50

6" LED AQUA FALL	
Part No.	Bulk Qty.
675-4008L	50

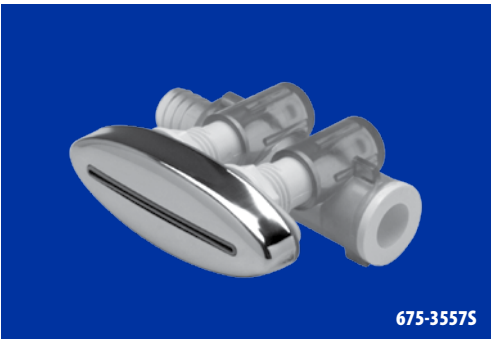


675-3507

3 1/2" CASCADE (2) 3/4" RB

3 1/2" CASCADE	
Part No.	Bulk Qty.
675-3500	20
675-3500S	20

3 1/2" LED CASCADE	
Part No.	Bulk Qty.
675-3508L	60
675-3508LS	60

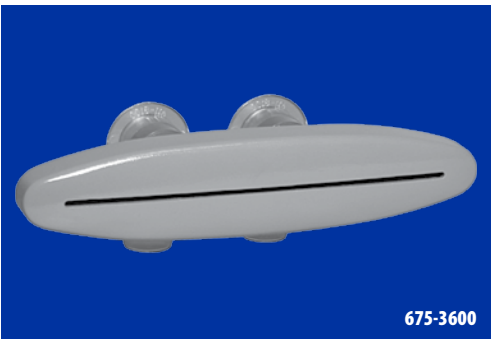


675-3557S

3 1/2" CASCADE WITH MANIFOLD (2) 3/4" RB

3 1/2" CASCADE	
Part No.	Bulk Qty.
675-3550	100
675-3550S	100

3 1/2" LED CASCADE	
Part No.	Bulk Qty.
675-3558L	25
675-3558LS	25

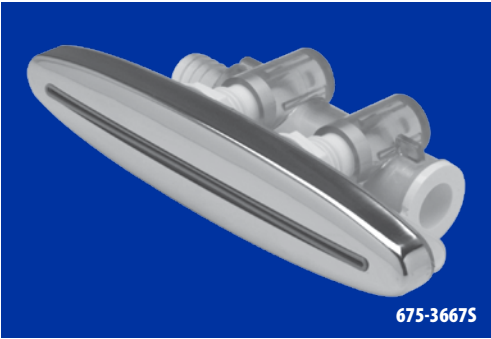


675-3600

7" CASCADE (2) 3/4" RB

7" CASCADE	
Part No.	Bulk Qty.
675-3600	20
675-3600S	20

7" LED CASCADE	
Part No.	Bulk Qty.
675-3608L	20
675-3608LS	20



675-3667S

7" CASCADE WITH MANIFOLD (2) 3/4" RB

7" CASCADE	
Part No.	Bulk Qty.
675-3660	100
675-3660S	100

7" LED CASCADE	
Part No.	Bulk Qty.
675-3668L	20
675-3668LS	20



TEE HEATERS

120V 12.5 AMP

Part No.	Size.	Qty.
885-100B1S	1" S x 1" S	1
885-100B3S	1" SPG x 1" SPG	1



INLINE VACUUM HEATERS

120V 12.5 AMP

Part No.	Size.	Qty.
885-101D2S	1.5" S x 1.5" S	1



INLINE PRESSURE HEATERS

120V 12.5 AMP

Part No.	Size.	Qty.
885-101B1S	1.5" S x 1.5" S	1
885-101B2S	1" S x 1" S	1
885-101B4S	1" SPG x 1" S	1

ALL HEATERS

- **5.5"**
- **120 V**
- **60 Hz**
- **1500 W**
- **12.5 Amp**



OZONE KIT

UNIVERSAL OZONE KIT

Part No.	Description	Qty.
850-5000	Complete Kit	1
850-5010	Generator Kit Only	1
815-5010	Air Switch Box	1

Quality Hose & Tubing for Bath



Available in:

Clear Vinyl

1/8", 1/4", 3/8", 3/4", and 3/4" x 1 1/16"

White Vinyl

3/8", 3/4", and 1" x 1 1/4"

Shur-Grip

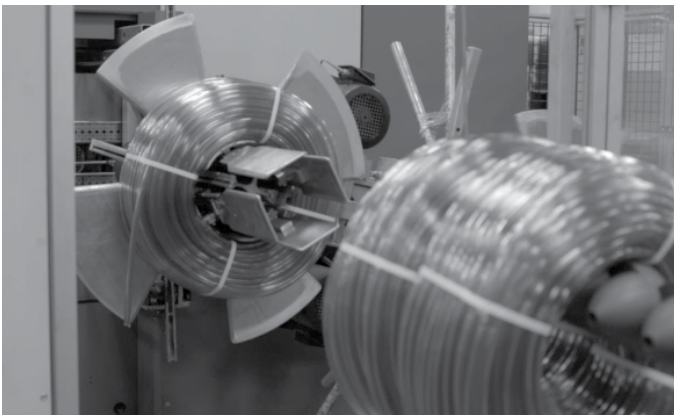
3/4", 3/4" thin, 1 1/2", and 2"

Flex

1/2", 3/4", 1", 1 1/2", 2", 2 1/2" and 3"

Shurflex

BRAND TM



Waterway's Shurflex brand flex hose and tubing is produced right here in the USA under the same strict manufacturing standards as all of our quality Pool, Spa, and Bath products.



Designed, Engineered & Manufactured in the USA.



INDIVIDUAL ROLLS - BULK PACKED

Part No.	Size	Type	Available Colors	Feet/Roll
110-010xB	1/8" x 1/4"	Clear Vinyl	Clear (OB), Red (RB)	2,000
110-0110B	1/4" x 3/8"	Clear Vinyl	Clear	1,000
110-0120B	3/8" x 9/16"	Clear Vinyl	Clear	500
110-012WB	3/8" x 9/16"	White Vinyl	White	500
110-0140B	3/4" x 1"	Clear Vinyl	Clear	150
110-014WB	3/4" x 1"	White Vinyl	White	150
110-0150B	3/4" x 1 1/16"	Clear Vinyl	Clear	100
110-016WB	1" x 1 1/4"	White Vinyl	White	100
120-0110B	1/2"	Flex	White	100
120-0120B	3/4"	Flex	White	100
120-0130B	1"	Flex	White	50
120-0140B	1 1/2"	Flex	White	50
120-0150B	2"	Flex	White	50
120-0250B	2" thin	Flex	White	50
120-0160B	2 1/2"	Flex	White	50
120-0170B	3"	Flex	White	50
130-0110B	3/4"	Shur Grip	Clear/White	100
130-0210B	3/4" thin	Shur Grip	Clear/White	100
130-0120B	1 1/2"	Shur Grip	Clear/White	50
130-0130B	2"	Shur Grip	Clear/White	50

PALLET - BULK PACKED

Part No.	Size	Type	Available Colors	Feet/Pallet	Rolls/Pallet
110-010xPB	1/8" x 1/4"	Clear Vinyl	Clear (O), Red (R)	80,000	40
110-0110PB	1/4" x 3/8"	Clear Vinyl	Clear	40,000	40
110-0120PB	3/8" x 9/16"	Clear Vinyl	Clear	20,000	40
110-012WPB	3/8" x 9/16"	White Vinyl	White	20,000	40
110-0140PB	3/4" x 1"	Clear Vinyl	Clear	6,000	40
110-014WPB	3/4" x 1"	White Vinyl	White	6,000	40
110-0150PB	3/4" x 1 1/16"	Clear Vinyl	Clear	4,000	40
110-016WPB	1" x 1 1/4"	White Vinyl	White	2,800	28
120-0110PB	1/2"	Flex	White	6,800	68
120-0120PB	3/4"	Flex	White	5,600	56
120-0130PB	1"	Flex	White	2,800	56
120-0140PB	1 1/2"	Flex	White	1,200	24
120-0150PB	2"	Flex	White	900	18
120-0250PB	2" thin	Flex	White	900	18
120-0160PB	2 1/2"	Flex	White	800	16
120-0170PB	3"	Flex	White	400	8
130-0110PB	3/4"	Shur Grip	Clear/White	5,600	56
130-0210PB	3/4" thin	Shur Grip	Clear/White	5,600	56
130-0120PB	1 1/2"	Shur Grip	Clear/White	900	18
130-0130PB	2"	Shur Grip	Clear/White	800	16

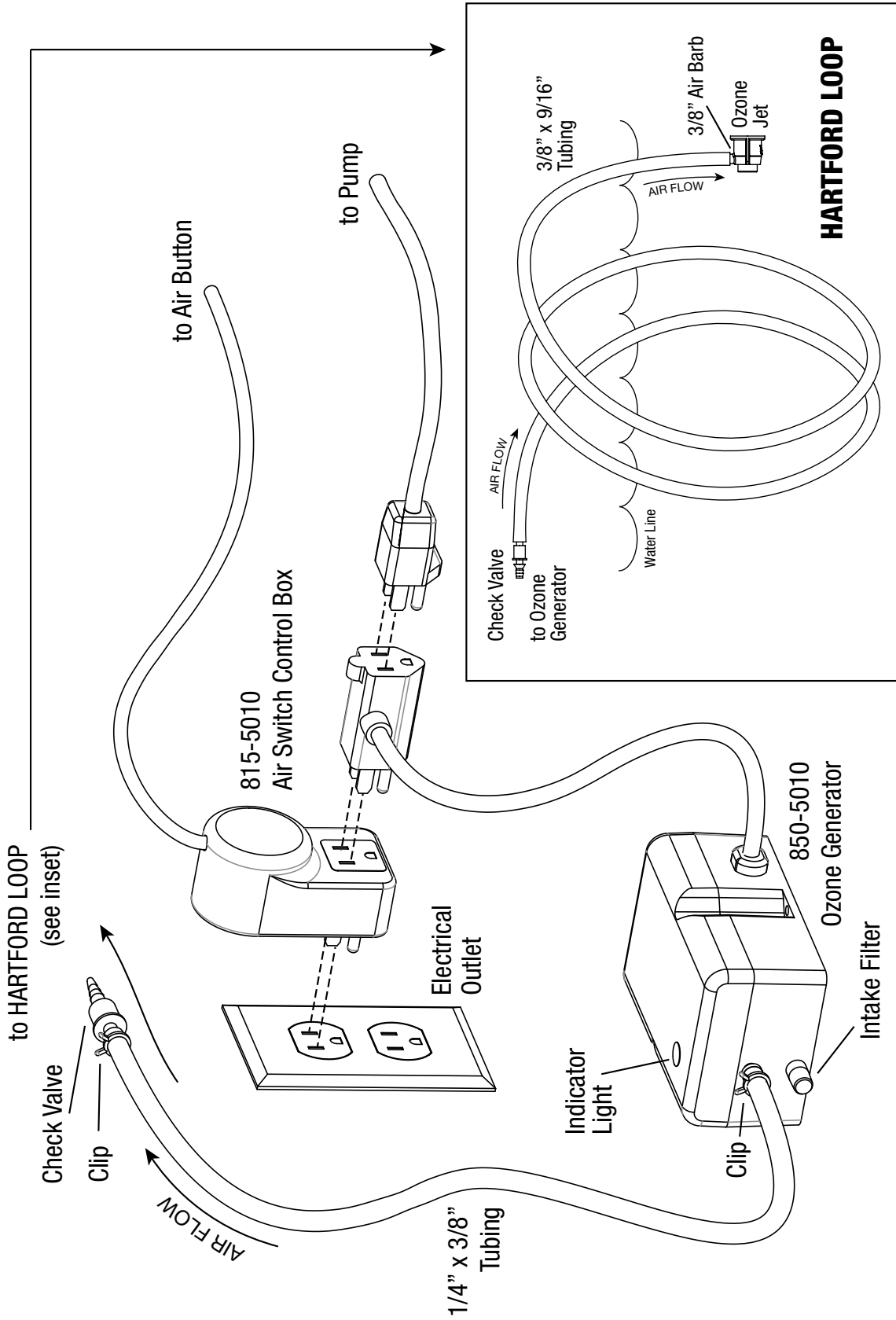
INDIVIDUAL ROLLS - WRAPPED

Part No.	Size	Type	Available Colors	Feet/Roll
110-0100	1/8" x 1/4"	Clear Vinyl	Clear	500
110-0110	1/4" x 3/8"	Clear Vinyl	Clear	1000
110-0120	3/8" x 9/16"	Clear Vinyl	Clear	500
110-012W	3/8" x 9/16"	White Vinyl	White	500
110-0140	3/4" x 1"	Clear Vinyl	Clear	150
110-014W	3/4" x 1"	White Vinyl	White	150
110-0150	3/4" x 1 1/16"	Clear Vinyl	Clear	100
110-016W	1" x 1 1/4"	White Vinyl	White	100
120-0110	1/2"	Flex	White	100
120-0120	3/4"	Flex	White	100
120-0130	1"	Flex	White	50
120-0140	1 1/2"	Flex	White	50
120-0150	2"	Flex	White	50
120-0160	2 1/2"	Flex	White	50
120-0170	3"	Flex	White	50
130-0110	3/4"	Shur Grip	Clear/White	100
130-0210	3/4" thin	Shur Grip	Clear/White	100
130-0120	1 1/2"	Shur Grip	Clear/White	50
130-0130	2"	Shur Grip	Clear/White	50

PALLET - WRAPPED

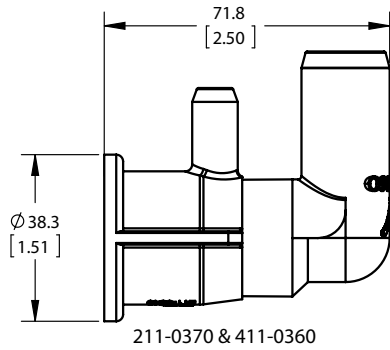
Part No.	Size	Type	Available Colors	Feet/Pallet	Rolls/Pallet
110-0110P	1/4" x 3/8"	Clear Vinyl	Clear	40,000	40
110-0120P	3/8" x 9/16"	Clear Vinyl	Clear	20,000	40
110-012WP	3/8" x 9/16"	White Vinyl	White	20,000	40
110-0140P	3/4" x 1"	Clear Vinyl	Clear	6,000	40
110-0150P	3/4" x 1 1/16"	Clear Vinyl	Clear	4,000	40
110-016WP	1" x 1 1/4"	White Vinyl	White	2,800	28
120-0110P	1/2"	Flex	White	6,800	68
120-0120P	3/4"	Flex	White	5,600	56
120-0130P	1"	Flex	White	2,800	56
120-0140P	1 1/2"	Flex	White	1,200	24
120-0150P	2"	Flex	White	900	18
120-0160P	2 1/2"	Flex	White	800	16
120-0170P	3"	Flex	White	400	8
130-0110P	3/4"	Shur Grip	Clear/White	5,600	56
130-0210P	3/4" thin	Shur Grip	Clear/White	5,600	56
130-0120P	1 1/2"	Shur Grip	Clear/White	900	18
130-0130P	2"	Shur Grip	Clear/White	800	16

** Special roll lengths/cut straight lengths and colors available upon request. Replace the "x" in part numbers with color of your choice where necessary.

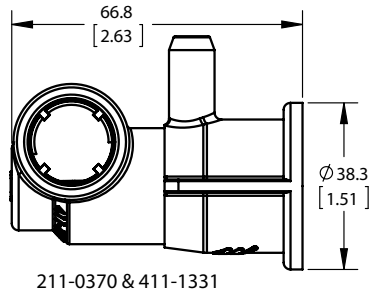
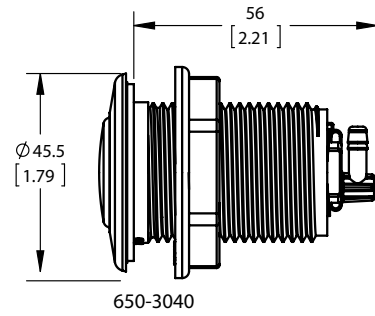




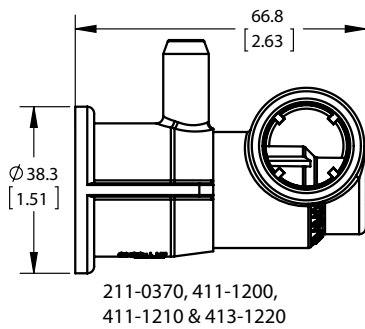
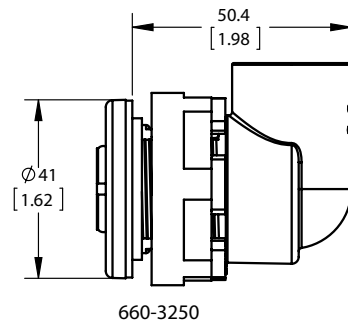
150-CS JETS



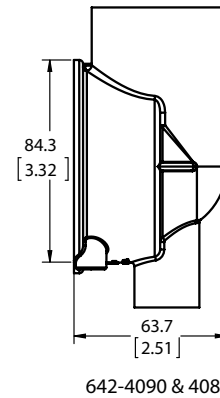
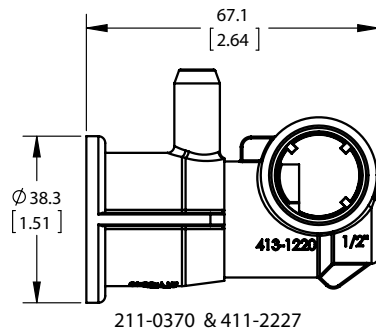
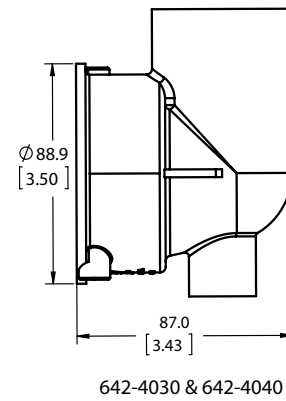
AIR BUTTON



AIR CONTROL

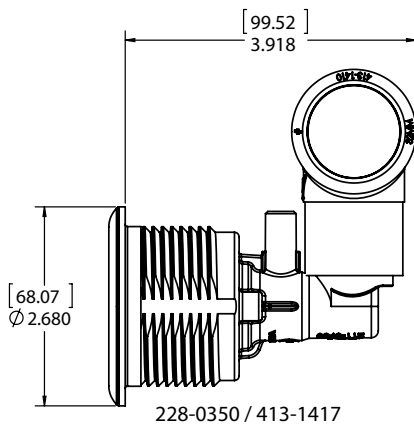
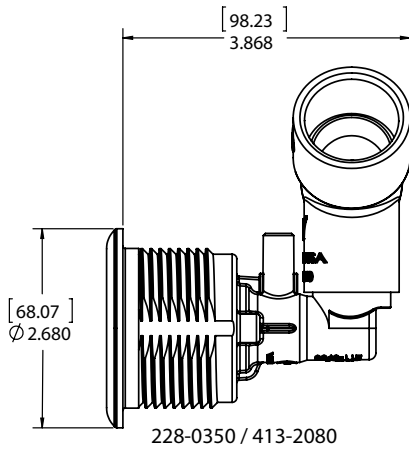
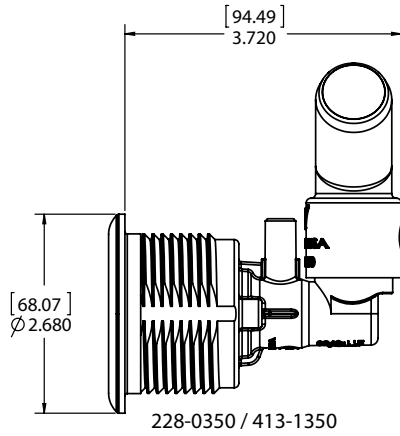


SUCTION ELBOWS

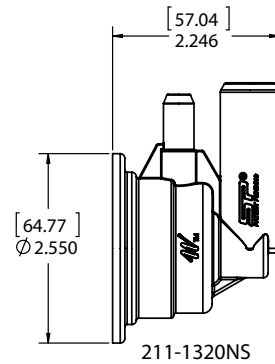
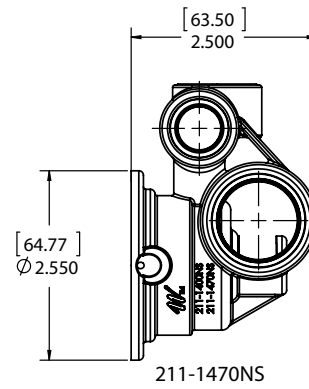
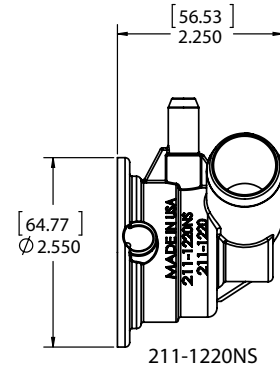




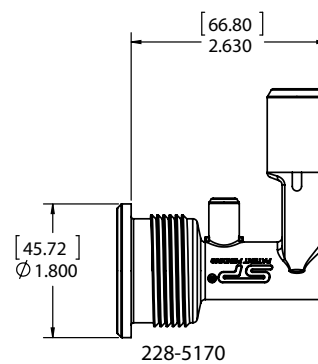
300-350-LS



250-CS-ES

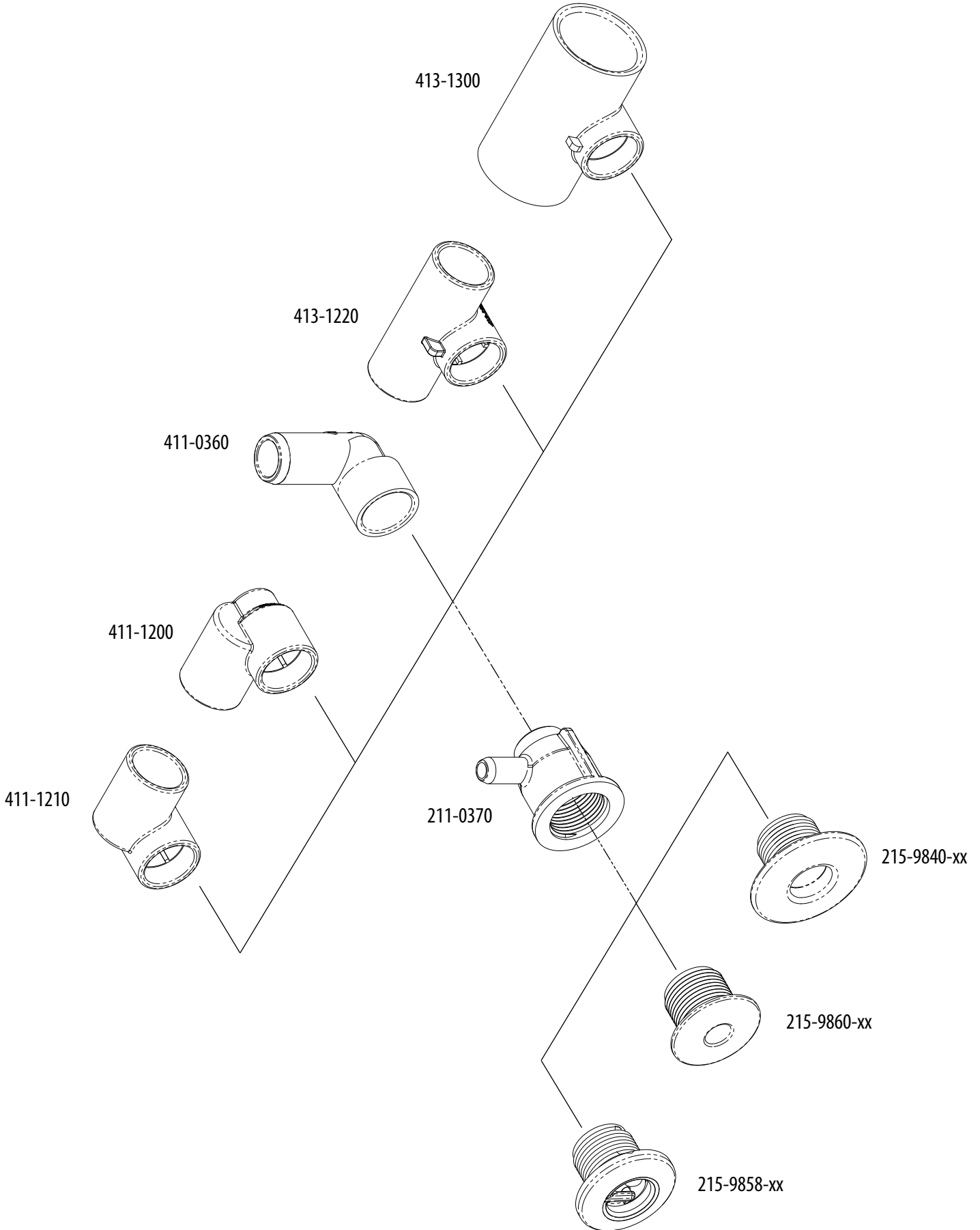


200-LS



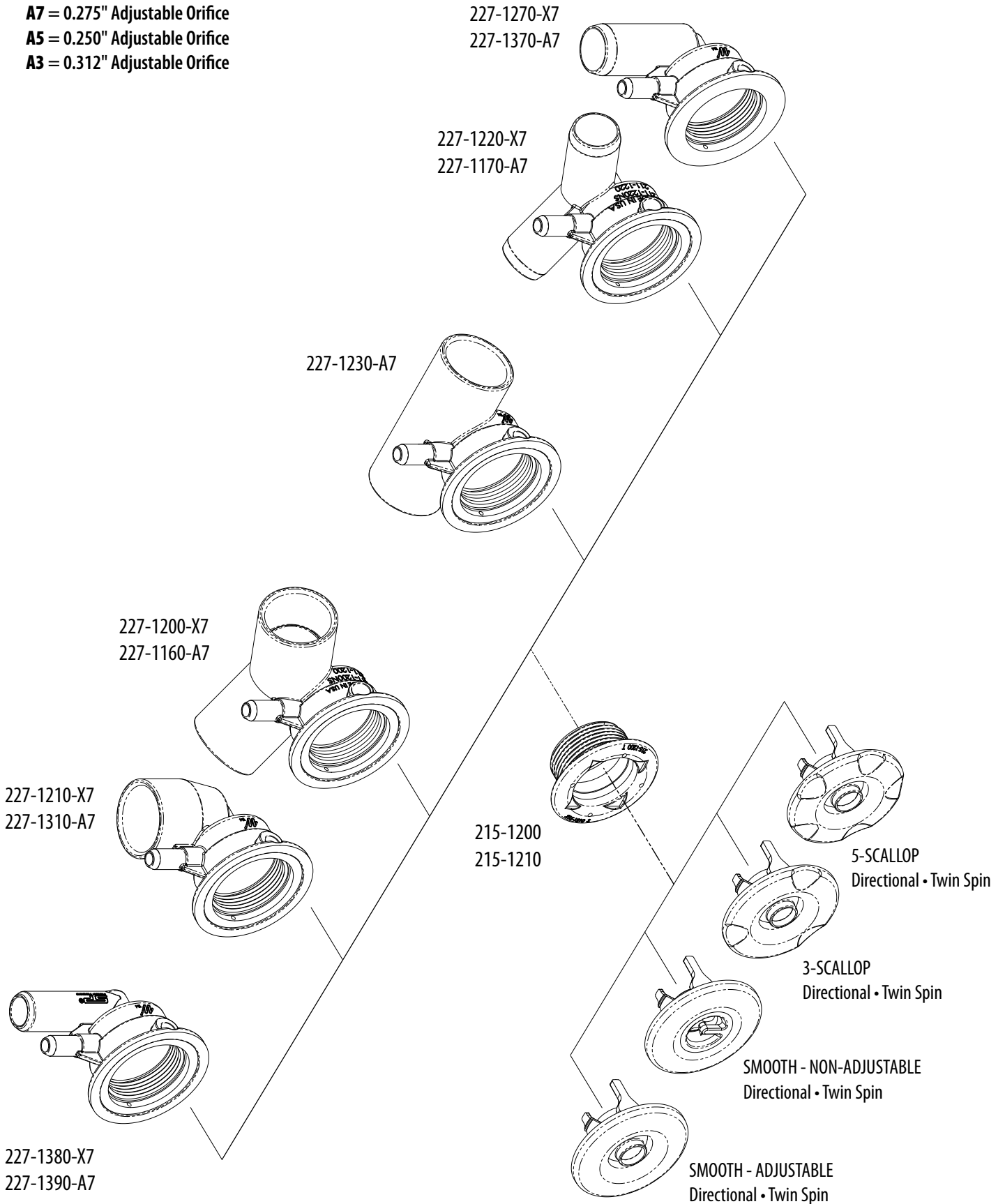


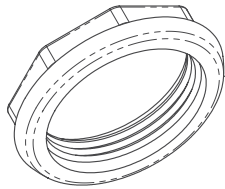
Technical Info / 150-CS Jet Series Exploded View



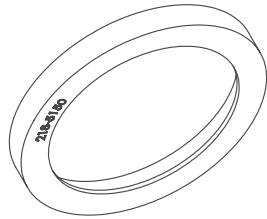


X7 = 0.275" Fixed Orifice
A7 = 0.275" Adjustable Orifice
A5 = 0.250" Adjustable Orifice
A3 = 0.312" Adjustable Orifice

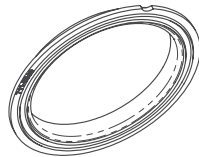




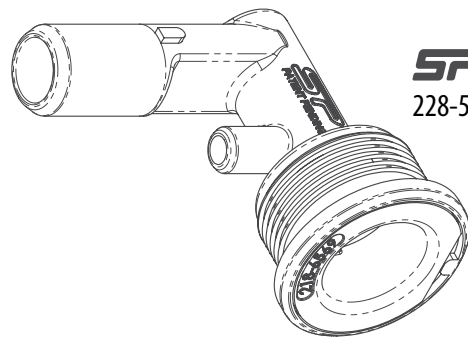
718-5100



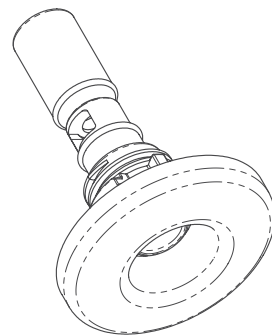
218-5150



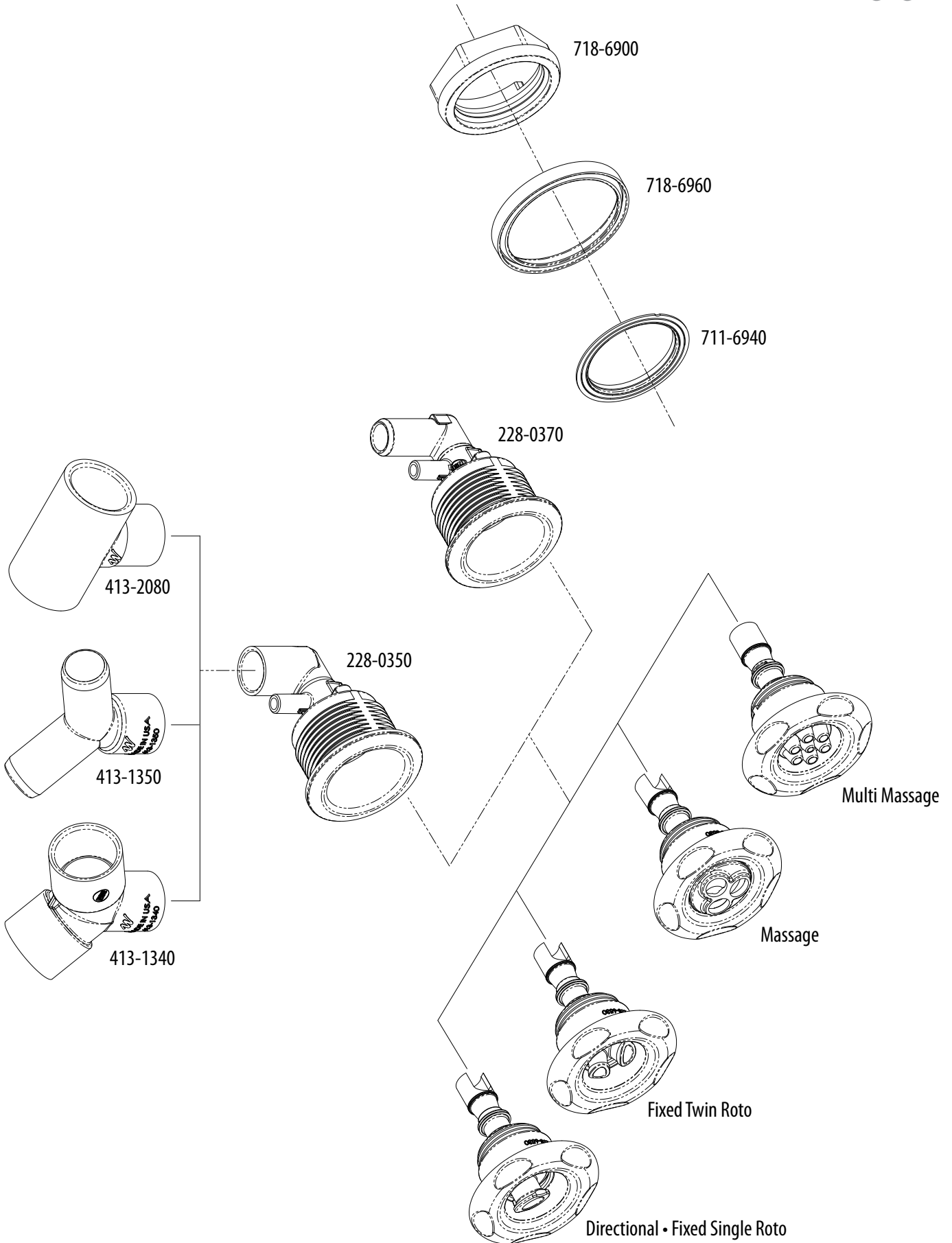
711-5040

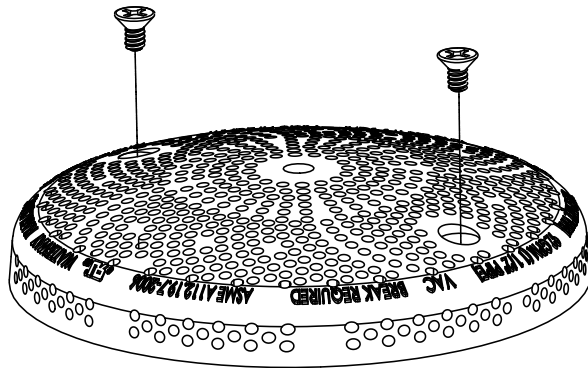


SP
228-5170

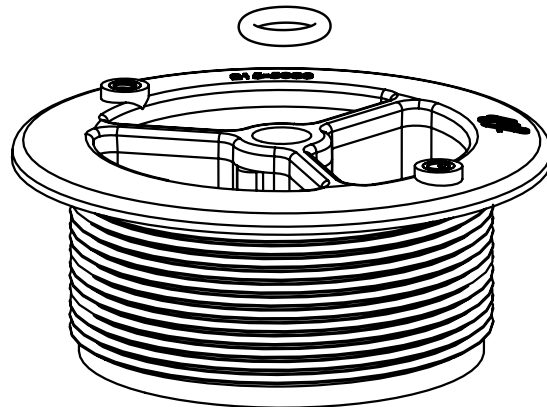


SMOOTH / 5-SCALLOP
Directional • Twin Roto •
Rifled • Multi Massage

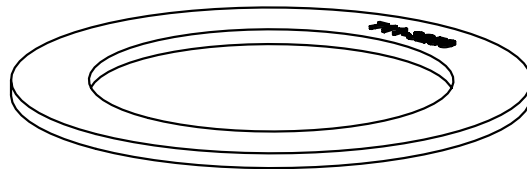




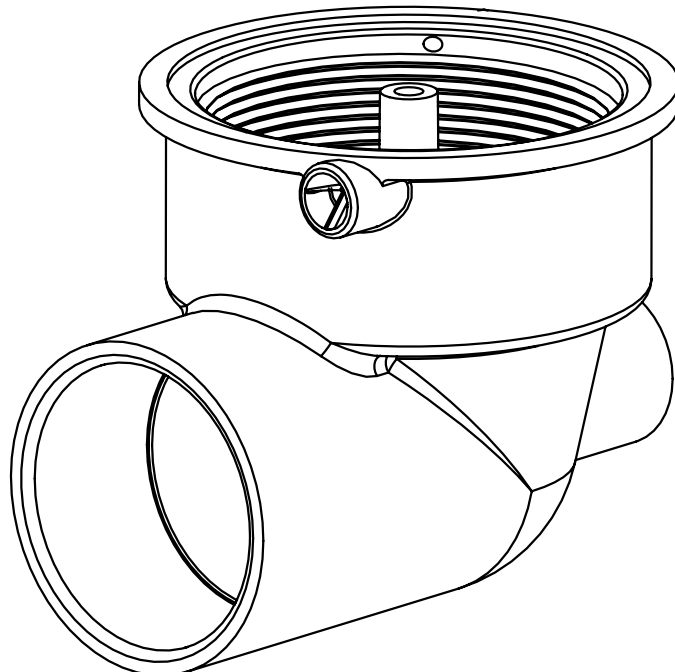
643-5070-xx
(includes screws
and O-ring)



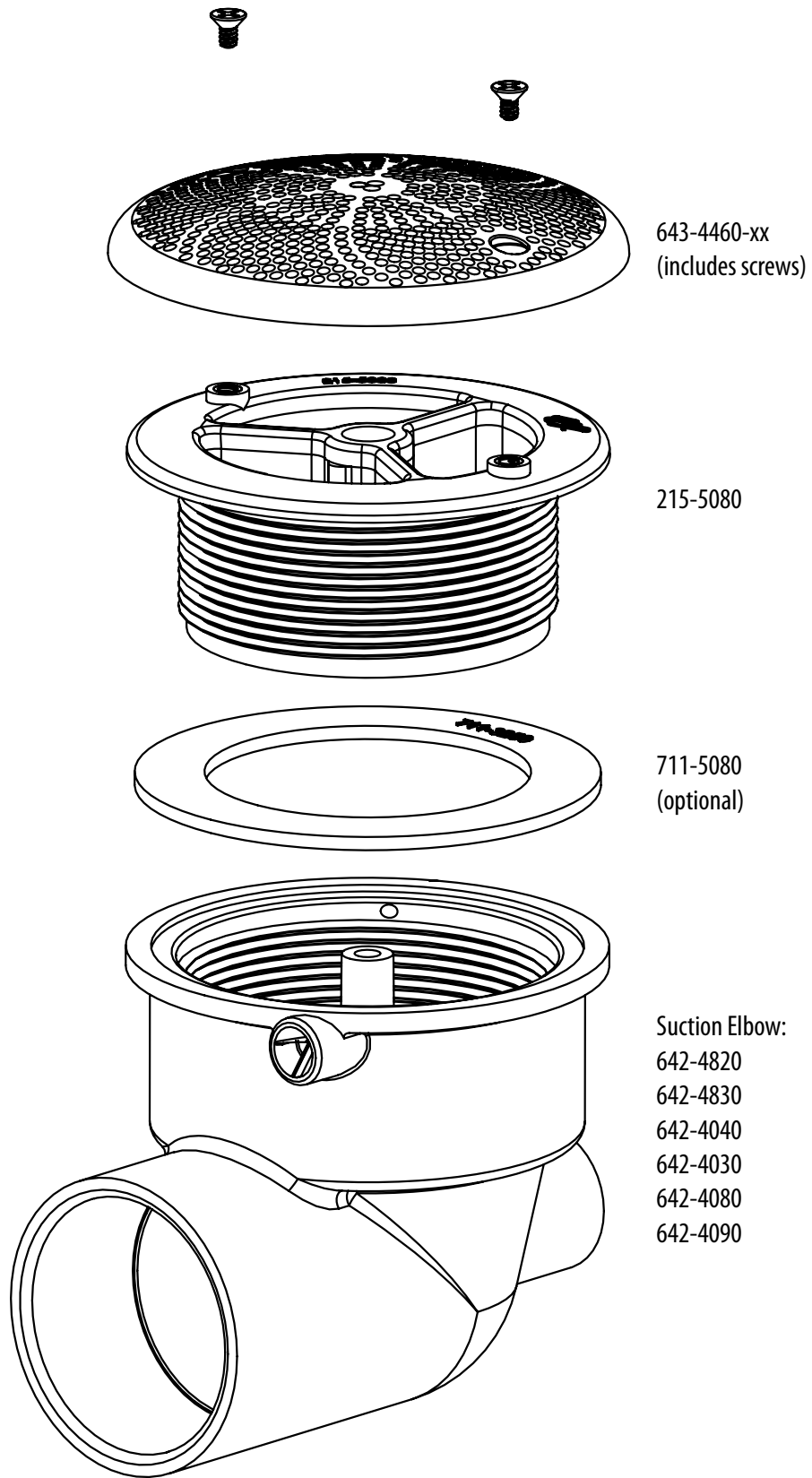
215-5080

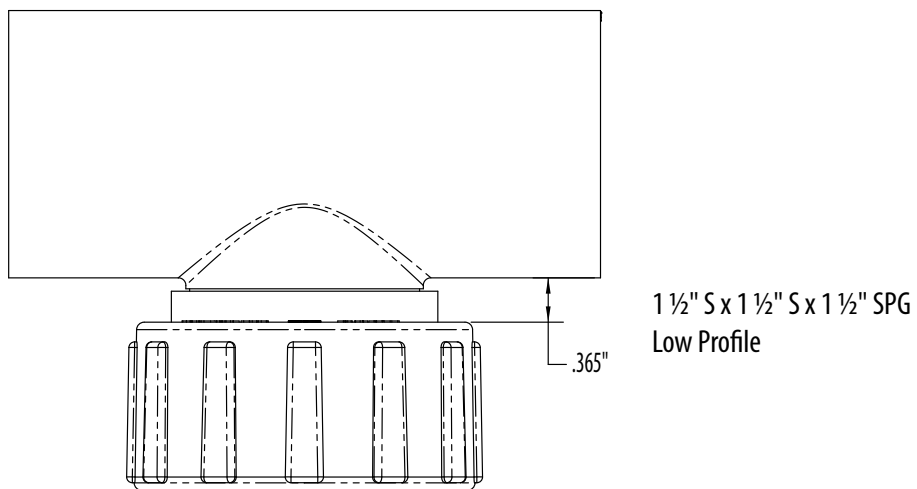
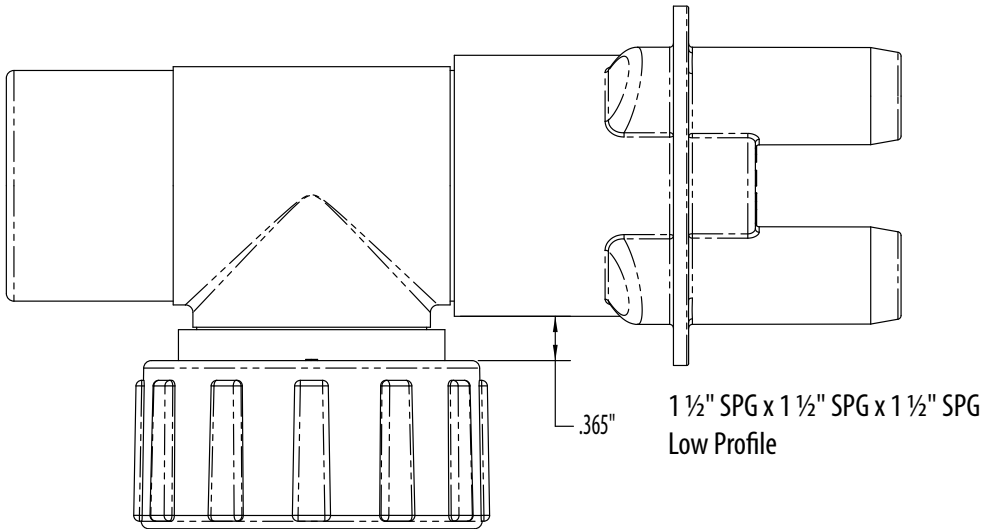
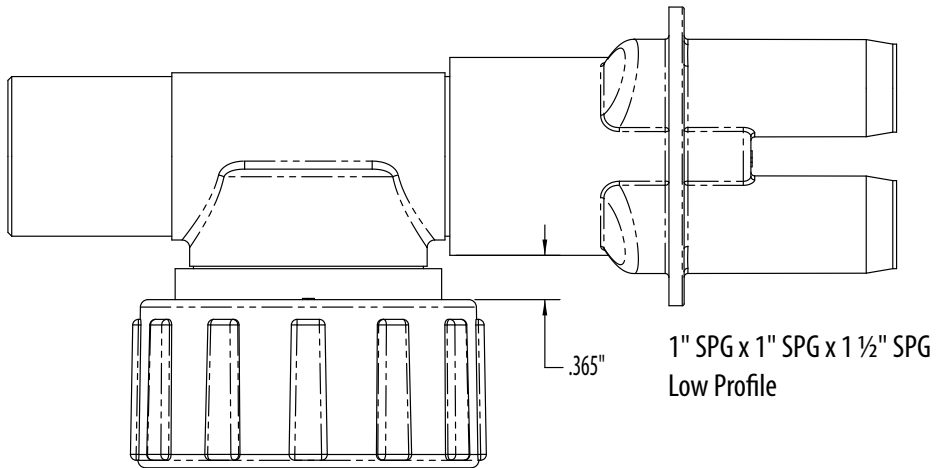


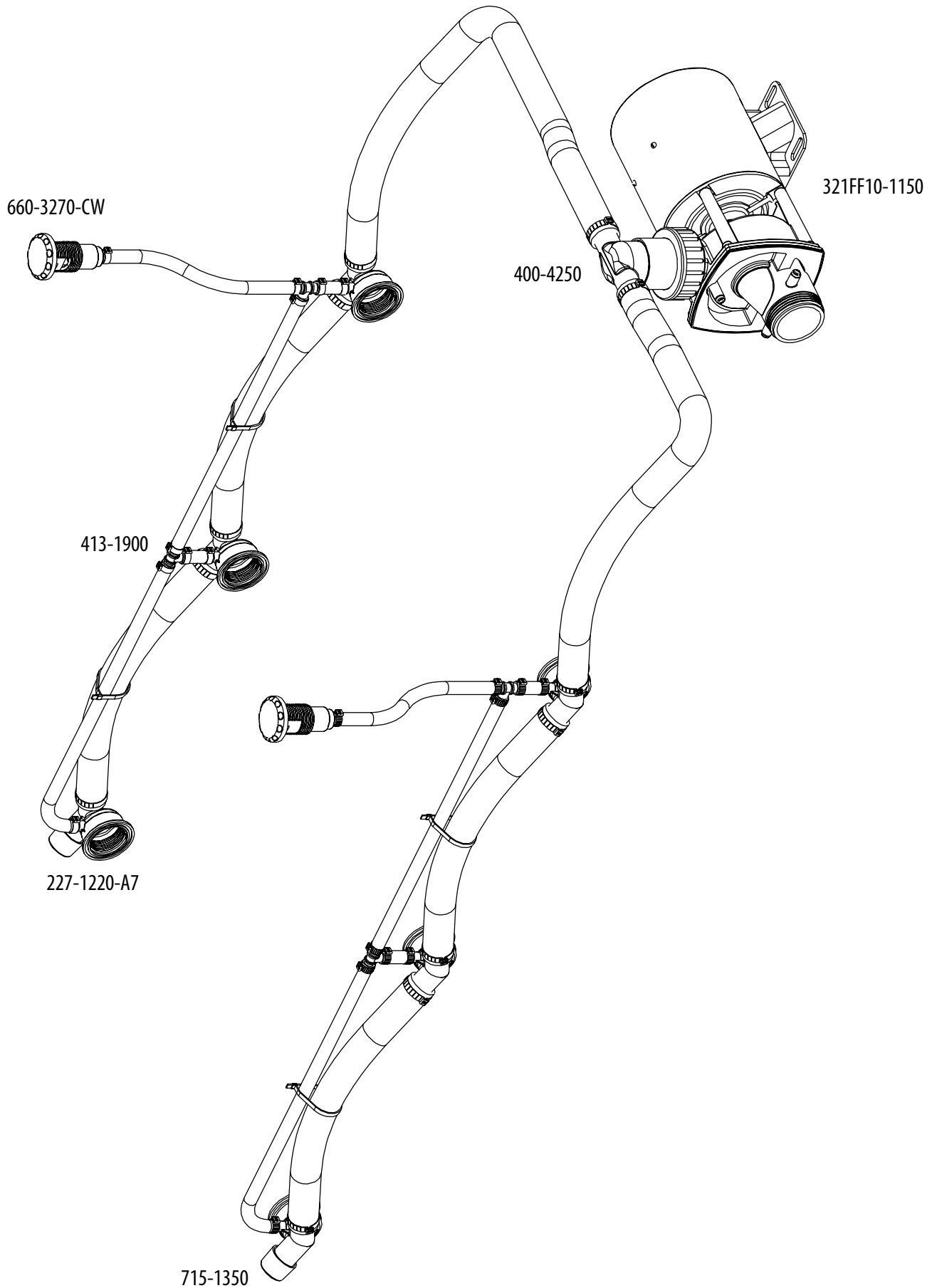
711-5080
(optional)

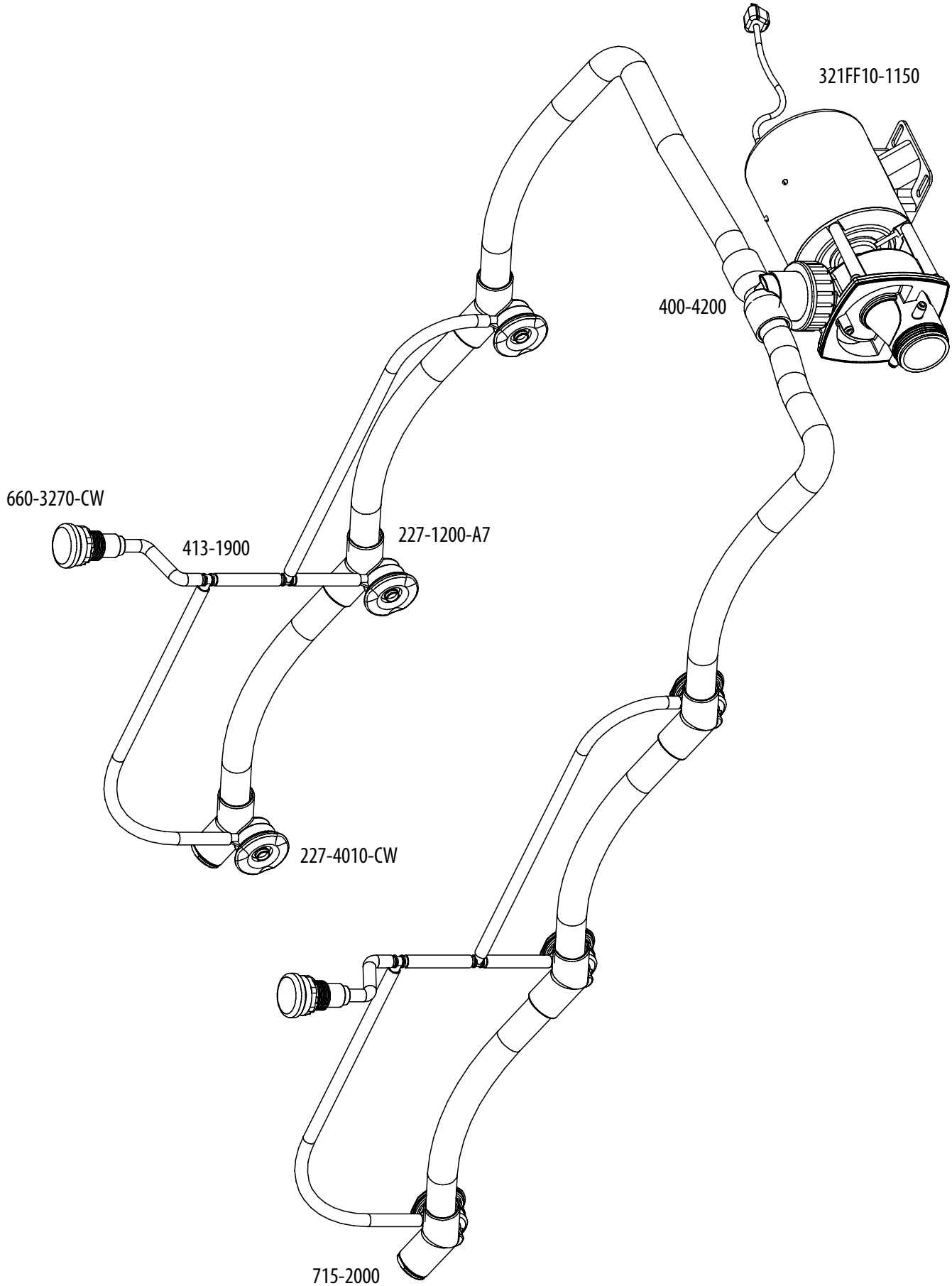


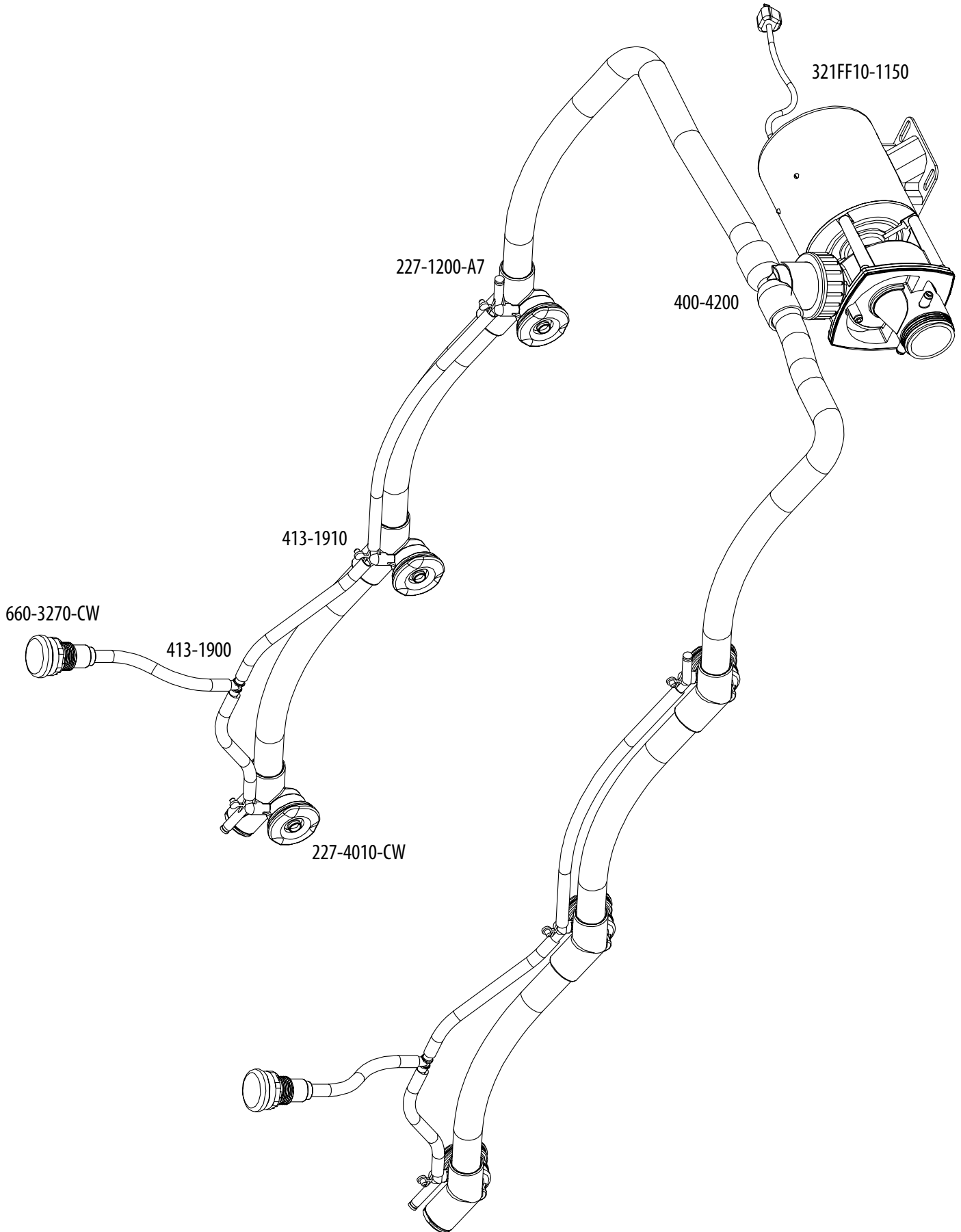
Suction Elbow:
642-4820
642-4830
642-4040
642-4030
642-4080
642-4090





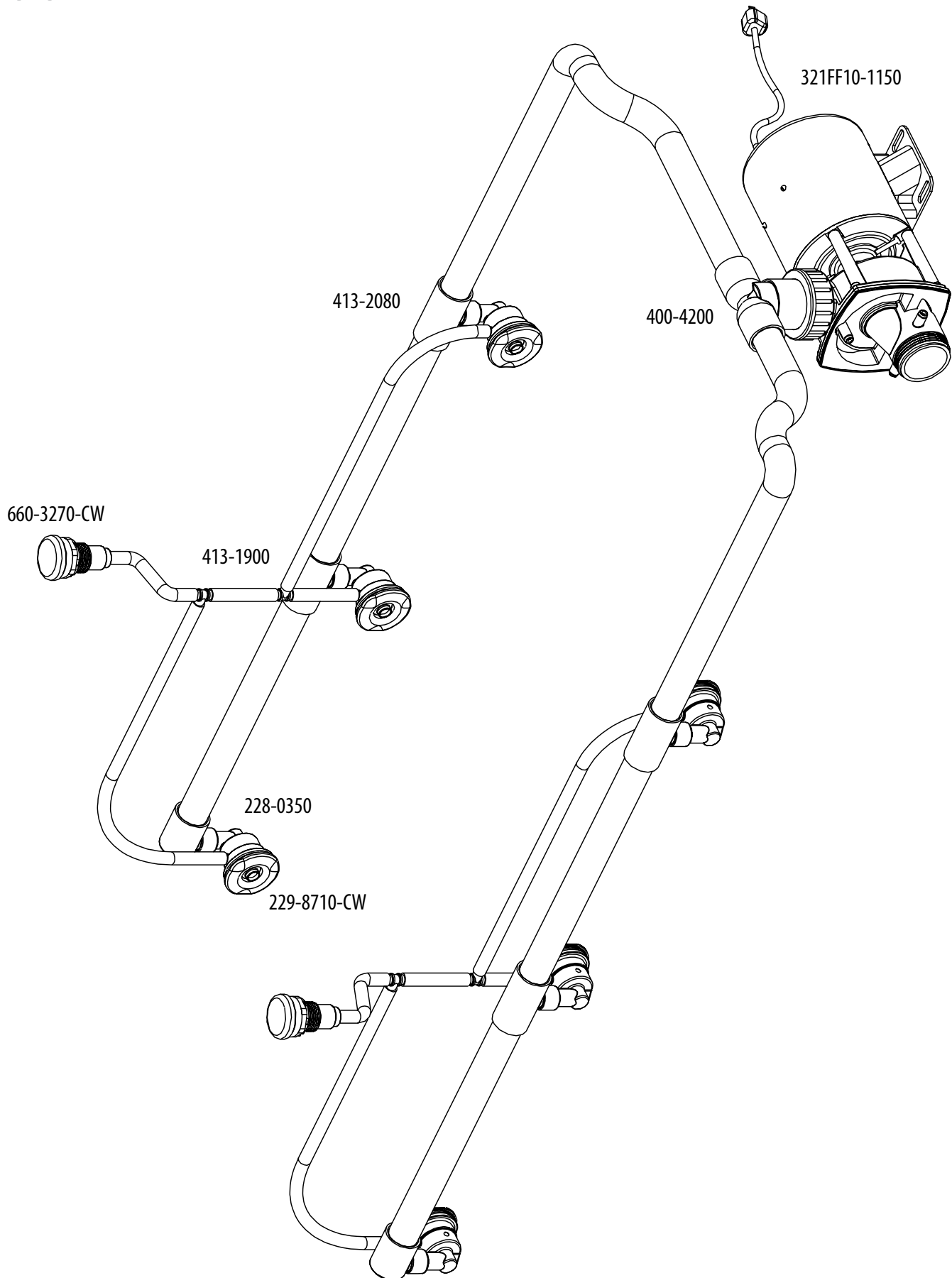








Technical Info / 300-LS Plumbing Example - 1" S x 3/8" Tee Barb Air Lines

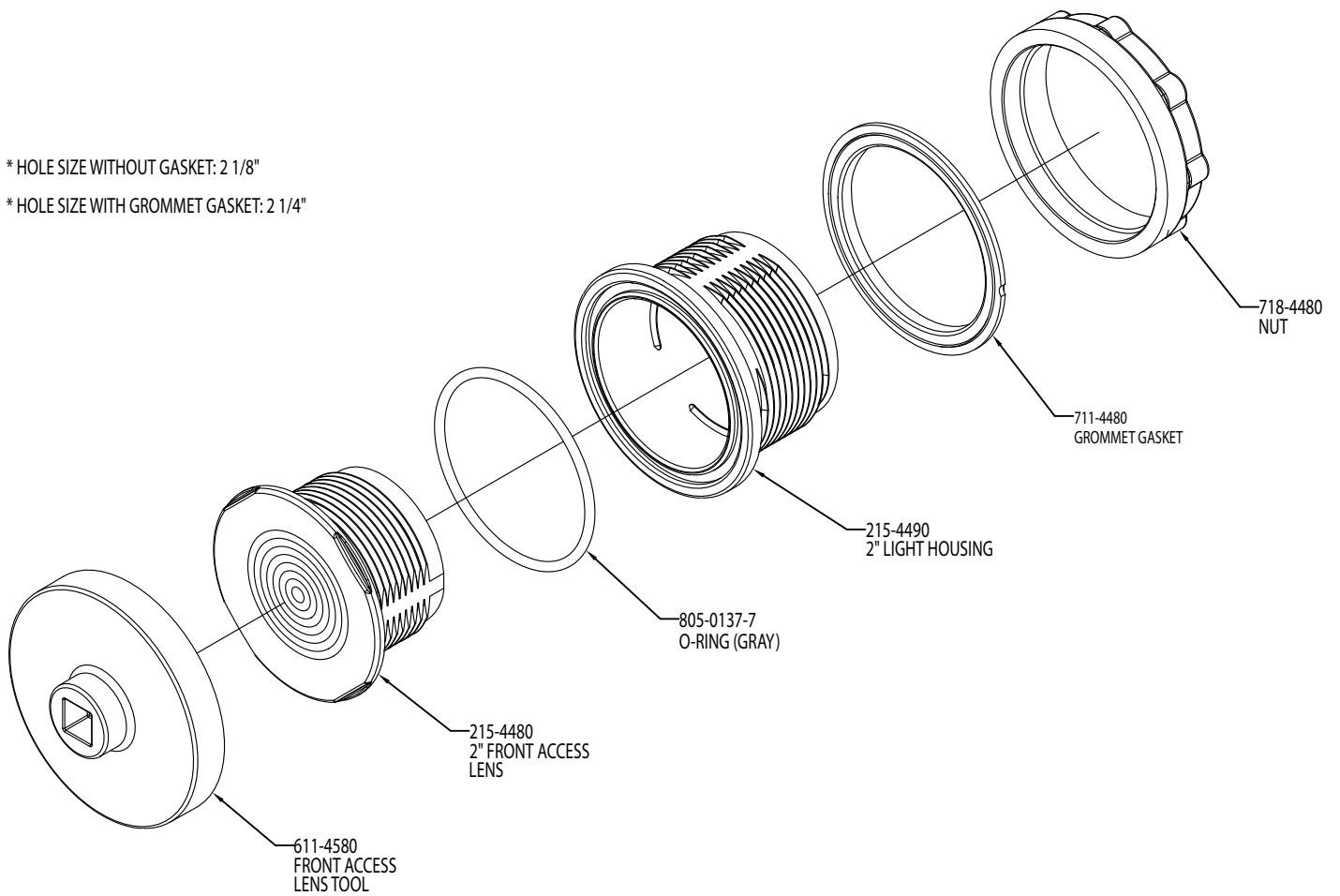




2" LIGHT ASSEMBLY

PART NO.	DESCRIPTION	LIST(US \$)
630 6220	ASSEMBLY LESS TOOL	\$9.68
630 6220 T	ASSEMBLY W/ TOOL	\$11.20

* HOLE SIZE WITHOUT GASKET: 2 1/8"
 * HOLE SIZE WITH GROMMET GASKET: 2 1/4"





Part No.	Page	Part No.	Page	Part No.	Page	Part No.	Page	Part No.	Page
110-010xB	50	120-0160B	50	212-9858-BO	11	225-8488-OB	15	227-1380-A5	13, 34
110-010xPB	50	120-0160P	50	212-9858-CW	11	225-8488-OB	15	227-1380-A7	13, 34
110-012W	50	120-0160PB	50	212-9858-OB	11	225-8488-PC	15	227-1380-X7	13, 34
110-012WB	50	120-0170	50	212-9858-OB	11	225-8720-BC	15	227-1390-A3	13, 34
110-012WP	50	120-0170B	50	212-9858-PC	11	225-8720-BO	15	227-1390-A5	13, 34
110-012WPB	50	120-0170P	50	215-1200	12	225-8720-CW	15	227-1390-A7	13, 34
110-014W	50	120-0170PB	50	215-1210	12	225-8728-BN	15	227-1390-X7	13, 34
110-014WB	50	120-0250B	50	215-5080	29	225-8728-OB	15	227-2460-A3	13
110-014WPB	50	120-0250PB	50	215-9760-BC	11	225-8728-OB	15	227-2460-A5	13
110-016W	50	130-0110	50	215-9760-BN	11	225-8728-PC	15	227-2460-A7	13
110-016WB	50	130-0110B	50	215-9760-BO	11	227-1160-A3	13	227-2460-X7	13
110-016WP	50	130-0110P	50	215-9760-CW	11	227-1160-A5	13	227-2470-A3	13
110-016WPB	50	130-0110PB	50	215-9760-OB	11	227-1160-A7	13	227-2470-A5	13
110-0100	50	130-0120	50	215-9760-OB	11	227-1160-X7	13	227-2470-A7	13
110-0110	50	130-0120B	50	215-9760-PC	11	227-1170-A3	13	227-2470-X7	13
110-0110B	50	130-0120P	50	215-9840-BC	11	227-1170-A5	13	227-4000-BC	12
110-0110P	50	130-0120PB	50	215-9840-BN	11	227-1170-A7	13	227-4000-BO	12
110-0110PB	50	130-0130	50	215-9840-BO	11	227-1170-X7	13	227-4000-CW	12
110-0120	50	130-0130B	50	215-9840-CW	11	227-1200-A3	13	227-4008-BN	12
110-0120B	50	130-0130P	50	215-9840-OB	11	227-1200-A5	13	227-4008-OB	12
110-0120P	50	130-0130PB	50	215-9840-OB	11	227-1200-A7	13	227-4008-OB	12
110-0120PB	50	130-0210	50	215-9840-OB	11	227-1200-A7	13	227-4008-OB	12
110-0140	50	130-0210B	50	215-9840-PC	11	227-1200-X7	13	227-4008-PC	12
110-0140B	50	130-0210P	50	215-9860-BC	11	227-1210-A3	13	227-4010-BC	12
110-0140P	50	130-0210PB	50	215-9860-BN	11	227-1210-A5	13	227-4010-BO	12
110-0140PB	50	210-5250	18	215-9860-BO	11	227-1210-A7	13	227-4010-CW	12
110-0150	50	210-6250	18	215-9860-CW	11	227-1210-X7	13	227-4018-BN	12
110-0150B	50	210-6300	18	215-9860-OB	11	227-1220-A3	13	227-4018-OB	12
110-0150P	50	211-0370	11, 33	215-9860-OB	11	227-1220-A5	13	227-4018-OB	12
110-0150PB	50	212-1020	19	215-9860-OB	11	227-1220-A5	13	227-4018-OB	12
120-0110	50	212-1030	19	215-9860-PC	11	227-1220-A7	13	227-4018-PC	12
120-0110B	50	212-1040	19	217-1230	13	227-1220-X7	13	227-4020-BC	12
120-0110P	50	212-1360-BC	19	218-0750	13	227-1230-A3	13	227-4020-BO	12
120-0110PB	50	212-1360-BO	19	218-0760	29	227-1230-A5	13	227-4020-CW	12
120-0120	50	212-1360-CW	19	218-1000	13	227-1230-A7	13	227-4028-BN	12
120-0120B	50	212-1368-BN	19	218-5150	14	227-1230-X7	13	227-4028-OB	12
120-0120P	50	212-1368-OB	19	222-0030	19	227-1270-A3	13	227-4028-OB	12
120-0120PB	50	212-1368-OB	19	222-0060	18	227-1270-A5	13	227-4028-OB	12
120-0130	50	212-1368-OB	19	222-0250	19	227-1270-A7	13	227-4028-PC	12
120-0130B	50	212-1368-OB	19	224-0050	18	227-1270-X7	13	227-4040-BC	12
120-0130P	50	212-1370-BC	19	224-0060	18	227-1310-A3	13	227-4040-BO	12
120-0130PB	50	212-1370-BO	19	224-0070	18	227-1310-A5	13	227-4040-CW	12
120-0140	50	212-1370-CW	19	225-7930-BC	15	227-1310-A7	13	227-4048-BN	12
120-0140B	50	212-1378-BN	19	225-7930-BO	15	227-1310-X7	13	227-4048-OB	12
120-0140P	50	212-1378-OB	19	225-7930-CW	15	227-1330-A3	13	227-4048-OB	12
120-0140PB	50	212-1378-OB	19	225-7938-BN	15	227-1330-A5	13	227-4048-PC	12
120-0150	50	212-1378-OB	19	225-7938-OB	15	227-1330-A7	13	227-4058-BC	12
120-0150B	50	212-1378-OB	19	225-7938-OB	15	227-1330-X7	13	227-4058-BN	12
120-0150P	50	212-2301	13	225-7938-OB	15	227-1370-A3	13	227-4058-BO	12
120-0150PB	50	212-2317	13	225-7938-OB	15	227-1370-A5	13	227-4058-CW	12
120-0150PB	50	212-2320	13	225-8480-BC	15	227-1370-A5	13	227-4058-OB	12
120-0150PB	50	212-9858-BC	11	225-8480-BO	15	227-1370-A7	13	227-4058-OB	12
120-0160	50	212-9858-BN	11	225-8480-CW	15	227-1370-X7	13	227-4058-PC	12
				225-8488-BN	15	227-1380-A3	13, 34	227-4068-BC	12



Bath Products Buyer's Guide / Index

Part No.	Page	Part No.	Page	Part No.	Page	Part No.	Page	Part No.	Page
227-4068-BN	12	229-1538-PC	14	229-7910-B0	15	229-8468-BN	15	321HF10-1150	7
227-4068-B0	12	229-7800-BC	15	229-7910-CW	15	229-8468-OB	15	321HF10-xxxx	9
227-4068-CW	12	229-7800-B0	15	229-7915-BC	16	229-8468-OB	15	321JF10-0101	7
227-4068-OB	12	229-7800-CW	15	229-7915-BN	16	229-8468-PC	15	321JF10-0150	7
227-4068-OB	12	229-7808-BN	15	229-7915-B0	16	229-8470-BC	16	321JF10-1101	7
227-4068-PC	12	229-7808-OB	15	229-7915-CW	16	229-8470-B0	16	321JF10-1150	7
227-4078-BC	12	229-7808-OB	15	229-7915-OB	16	229-8470-CW	16	321JF10-xxxx	9
227-4078-BN	12	229-7808-PC	15	229-7915-OB	16	229-8478-BN	16	321NF10-0B01	7
227-4078-B0	12	229-7810-BC	15	229-7915-PC	16	229-8478-OB	16	321NF10-0B50	7
227-4078-CW	12	229-7810-B0	15	229-7918-BN	15	229-8478-OB	16	321NF10-1B01	7
227-4078-OB	12	229-7810-CW	15	229-7918-OB	15	229-8478-PC	16	321NF10-1B50	7
227-4078-OB	12	229-7815-BC	16	229-7918-OB	15	229-8480-BC	15	321NF10-0101	7
227-4078-PC	12	229-7815-BN	16	229-7918-OB	15	229-8480-B0	15	321NF10-0150	7
227-4088-BC	12	229-7815-BN	16	229-7918-PC	15	229-8480-B0	15	321NF10-1101	7
227-4088-BN	12	229-7815-B0	16	229-7930-BC	15	229-8480-CW	15	321NF10-1150	7
227-4088-B0	12	229-7815-CW	16	229-7930-B0	15	229-8488-BN	15	321NF10-1150	7
227-4088-CW	12	229-7815-CW	16	229-7930-B0	15	229-8488-OB	15	321NF10-xxxx	9
227-4088-OB	12	229-7815-OB	16	229-7930-CW	15	229-8488-OB	15	400-3145	8
227-4088-OB	12	229-7815-OB	16	229-7938-BN	15	229-8488-OB	15	400-3800	8
227-4088-OB	12	229-7815-PC	16	229-7938-BN	15	229-8488-PC	15	400-3800	8
227-4088-OB	12	229-7818-BN	15	229-7938-OB	15	229-8490-BC	16	400-4060	8
227-4088-PC	12	229-7818-BN	15	229-7938-OB	15	229-8490-BC	16	400-4060	8
227-4088-PC	12	229-7818-OB	15	229-7938-PC	15	229-8490-B0	16	400-4090	8
227-8628	12	229-7818-OB	15	229-8370-BC	15	229-8490-B0	16	400-4090	8
228-0350	17	229-7818-OB	15	229-8370-BC	15	229-8490-CW	16	400-4190	8
228-0370	17, 34	229-7818-PC	15	229-8370-B0	15	229-8498-BN	16	400-4200	8
228-5170	14, 34	229-7820-BC	16	229-8370-B0	15	229-8498-OB	16	400-4250	8
229-1500-BC	14	229-7820-BC	16	229-8370-CW	15	229-8498-OB	16	400-4250	8
229-1500-B0	14	229-7820-B0	16	229-8378-BN	15	229-8498-OB	16	400-4730	8
229-1500-CW	14	229-7820-CW	16	229-8378-BN	15	229-8498-OB	16	400-4730	8
229-1508-BN	14	229-7820-CW	16	229-8378-OB	15	229-8498-PC	16	400-4740	8
229-1508-OB	14	229-7825-BC	16	229-8378-OB	15	229-8710-BC	15	400-5461	44
229-1508-OB	14	229-7825-BC	16	229-8378-OB	15	229-8710-BC	15	400-5570	8
229-1508-OB	14	229-7825-BN	16	229-8378-OB	15	229-8710-B0	15	400-5570	8
229-1508-PC	14	229-7825-BN	16	229-8378-OB	15	229-8710-B0	15	411-0360	11, 33
229-1510-BC	14	229-7825-B0	16	229-8380-BC	15	229-8710-CW	15	411-1200	11
229-1510-B0	14	229-7825-CW	16	229-8380-B0	15	229-8718-BN	15	411-1200	11
229-1510-CW	14	229-7825-OB	16	229-8380-B0	15	229-8718-OB	15	411-1210	11
229-1518-BN	14	229-7825-OB	16	229-8380-CW	15	229-8718-OB	15	411-1210	11
229-1518-OB	14	229-7825-OB	16	229-8385-BC	16	229-8718-OB	15	411-1360	25
229-1518-OB	14	229-7825-OB	16	229-8385-BC	16	229-8718-OB	15	411-1360	25
229-1518-OB	14	229-7825-OB	16	229-8385-BN	16	229-8718-PC	15	411-1370	25
229-1518-OB	14	229-7825-PC	16	229-8385-BN	16	229-8718-PC	15	411-1370	25
229-1518-OB	14	229-7828-BN	16	229-8385-B0	16	229-8720-BC	15	411-1380	25
229-1518-OB	14	229-7828-OB	16	229-8385-B0	16	229-8720-BC	15	411-1380	25
229-1518-OB	14	229-7828-OB	16	229-8385-CW	16	229-8720-B0	15	411-2000	40
229-1518-OB	14	229-7828-OB	16	229-8385-CW	16	229-8720-B0	15	411-2000	40
229-1518-OB	14	229-7828-OB	16	229-8385-OB	16	229-8720-CW	15	411-2010	40
229-1518-OB	14	229-7828-PC	16	229-8385-OB	16	229-8720-CW	15	411-2010	40
229-1518-OB	14	229-7828-PC	16	229-8385-OB	16	229-8728-BN	15	411-2020	40
229-1518-OB	14	229-7835-BC	16	229-8385-OB	16	229-8728-BN	15	411-2020	40
229-1518-OB	14	229-7835-BC	16	229-8385-PC	16	229-8728-OB	15	411-3800	40
229-1518-PC	14	229-7835-BN	16	229-8385-PC	16	229-8728-OB	15	411-3800	40
229-1520-BC	14	229-7835-BN	16	229-8388-BN	15	229-8728-OB	15	411-4000	28, 40
229-1520-B0	14	229-7835-B0	16	229-8388-BN	15	229-8728-OB	15	411-4000	28, 40
229-1520-CW	14	229-7835-B0	16	229-8388-OB	15	229-8728-PC	15	411-4010	28, 41
229-1528-BN	14	229-7835-CW	16	229-8388-OB	15	321EE20-0101	7	411-4040	40
229-1528-OB	14	229-7835-OB	16	229-8388-OB	15	321EE20-1101	7	411-4050	41
229-1528-OB	14	229-7835-OB	16	229-8388-PC	15	321FF10-0101	7	411-4080	40
229-1528-OB	14	229-7835-OB	16	229-8390-BC	16	321FF10-0101	7	411-4080	40
229-1528-OB	14	229-7835-PC	16	229-8390-B0	16	321FF10-0150	7	411-5030	40
229-1528-OB	14	229-7835-PC	16	229-8390-B0	16	321FF10-0150	7	411-5030	40
229-1528-OB	14	229-7855-BC	16	229-8390-CW	16	321FF10-1101	7	411-5550	28, 41
229-1528-PC	14	229-7855-BC	16	229-8398-BN	16	321FF10-1101	7	411-5550	28, 41
229-1528-PC	14	229-7855-BN	16	229-8398-BN	16	321FF10-1150	7	411-6050	40
229-1530-BC	14	229-7855-B0	16	229-8398-OB	16	321FF10-1150	7	411-6050	40
229-1530-B0	14	229-7855-B0	16	229-8398-OB	16	321FF10-xxxx	9	411-6060	40
229-1530-CW	14	229-7855-CW	16	229-8398-OB	16	321GD20-0101	7	411-9100	41
229-1538-BN	14	229-7855-CW	16	229-8398-OB	16	321GD20-1101	7	411-9100	41
229-1538-OB	14	229-7855-OB	16	229-8398-PC	16	321GD20-1101	7	411-9110	41
229-1538-OB	14	229-7855-OB	16	229-8460-BC	15	321HF10-0101	7	413-1220	11
229-1538-OB	14	229-7855-OB	16	229-8460-B0	15	321HF10-0101	7	413-1220	11
229-1538-OB	14	229-7855-PC	16	229-8460-B0	15	321HF10-0150	7	413-1300	11
229-1538-OB	14	229-7910-BC	15	229-8460-CW	15	321HF10-0150	7	413-1300	11
229-1538-OB	14	229-7910-BC	15			321HF10-1101	7	413-1340	17



Part No.	Page	Part No.	Page	Part No.	Page	Part No.	Page	Part No.	Page
413-1350	17	642-4040	29	650-3060-BN	21	662-1960-OB	22	675-3558L	46
413-1800	34, 43	642-4050	29	650-3060-BO	21	662-1960-PC	22	675-3558LS	46
413-1890	42	642-4060	29	650-3060-CW	21	662-4070	21	675-3600	46
413-1900	27, 35, 38	642-4080	29	650-3060-OB	21	670-1100	26, 31	675-3600S	46
413-1910	35, 38	642-4090	29	650-3060-OB	21	670-2220	31	675-3608L	46
413-1940	27, 35, 38	642-4820	29	650-3060-PC	21	670-2270	31	675-3608LS	46
413-1960	34, 43	642-4830	29	650-3070-BC	21	670-2850-BC	45	675-3660	46
413-1980	42	643-4460-BC	29	650-3070-BN	21	670-2850-BN	45	675-3660S	46
413-2000	41	643-4460-BN	29	650-3070-BO	21	670-2850-BO	45	675-3668L	46
413-2030	41	643-4460-BO	29	650-3070-CW	21	670-2850-BO	45	675-3668LS	46
413-2060	41	643-4460-CW	29	650-3070-OB	21	670-2850-CW	45	675-4000	46
413-2080	17, 41	643-4460-OB	29	650-3070-OB	21	670-2850-OB	45	675-4000S	46
413-2220	11	643-4460-OB	29	650-3070-OB	21	670-2850-OB	45	675-4000S	46
413-4000	41	643-4460-PC	29	650-3070-PC	21	670-2850-PC	45	675-4008L	46
413-4130	42	643-5070-BC	29	660-3210-BC	22	672-0400	27, 37	675-5600	25
413-4150	42	643-5070-BC	29	660-3210-BO	22	672-0420	25	675-5610	25
413-4150	42	643-5070-BN	29	660-3210-CW	22	672-0550	35, 37	675-5620	25
413-4360	34, 43	643-5070-BO	29	660-3240	22	672-1170	7	711-0010	18
415-4000	44	643-5070-BO	29	660-3250	22	672-1430	36	711-5040	14
417-2000	44	643-5070-CW	29	660-3270-BC	22	672-1440	27, 36	711-5080	29
417-4000	44	643-5070-OB	29	660-3270-BC	22	672-1450	36	711-6940	17
417-4000	44	643-5070-OB	29	660-3270-BN	22	672-1460	36	715-0000	39
417-4080	44	643-5070-PC	29	660-3270-BO	22	672-1470	39	715-0340	36
419-0900	34, 43	650-1000-BC	23	660-3270-CW	22	672-1470	39	715-1350	17, 39, 44
419-1000	35, 38	650-1000-BN	23	660-3270-OB	22	672-4010	27, 31, 37	715-2000	17, 39
419-1920	34, 43	650-1000-BN	23	660-3270-OB	22	672-4030	27, 31, 37	715-2150	39
421-1050	43	650-1000-BO	23	660-3270-OB	22	672-4070	27, 35, 37	715-4000	44
421-4020	28, 43	650-1000-CW	23	660-3270-PC	22	672-4100	27, 37	715-4000	44
421-4030	43	650-1000-OB	23	660-3280-BC	22	672-4100	27, 37	715-9850	44
421-4030	43	650-1000-OB	23	660-3280-BN	22	672-4140	33	715-9870	44
421-4070	43	650-1000-OB	23	660-3280-BN	22	672-4150	33	718-5100	14
421-4070	43	650-1000-PC	23	660-3280-BO	22	672-4370	27, 37	718-6900	17
425-0200	28, 31, 35, 38	650-2000-BC	23	660-3280-BO	22	672-4410	33	718-6960	17
425-0210	28, 31, 35, 38	650-2000-BC	23	660-3280-CW	22	672-4610	27	806-0060	14
425-0210	28, 31, 35, 38	650-2000-BN	23	660-3280-OB	22	672-4660	25	813-4364S	45
425-0220	28, 29, 31, 35, 38	650-2000-BO	23	660-3280-OB	22	672-4690	35, 37	813-4370	45
425-0230	38	650-2000-BO	23	660-3280-OB	22	672-4770	33	815-5010	47
425-1070	34, 39, 43	650-2000-CW	23	660-3280-OB	22	672-4960	33	850-5000	47
425-1090	34	650-2000-CW	23	660-3290-BC	22	672-5060	37	850-5010	47
425-2010	39	650-2000-OB	23	660-3290-BN	22	672-5080	37	862-2010	25
425-2240	39	650-2000-OB	23	660-3290-BN	22	672-5200	33	872-0300	13, 44
425-4040	38	650-2000-PC	23	660-3290-BO	22	672-5240	33	885-100B1S	47
425-5010	38	650-3020	21	660-3290-BO	22	672-5250	33	885-100B3S	47
429-4000	42	650-3030-BC	21	660-3290-CW	22	672-5260	33	885-101B1S	47
600-0500	26, 31	650-3030-BC	21	660-3290-OB	22	672-5630	25	885-101B2S	47
600-0510	26, 31	650-3030-BN	21	660-3290-OB	22	675-1170	7	885-101B4S	47
600-1110	29, 31	650-3030-BN	21	660-3290-OB	22	675-1190	7	885-101D2S	47
600-2240	39	650-3030-BO	21	660-3290-OB	22	675-1290	7	916-0020	19
630-0005	45	650-3030-BO	21	660-3290-PC	22	675-3500	46	916-1250	18
630-0038	45	650-3040-BC	21	662-1950-BC	22	675-3500S	46		
630-5525	45	650-3040-BN	21	662-1950-BN	22	675-3508L	46		
630-5535	45	650-3040-BO	21	662-1950-BO	22	675-3508LS	46		
630-6008NI	45	650-3040-CW	21	662-1950-BO	22	675-3550	46		
630-6220	45	650-3040-CW	21	662-1950-CW	22	675-3550S	46		
630-6220T	45	650-3040-OB	21	662-1950-OB	22				
642-4030	29	650-3040-OB	21	662-1950-OB	22				
		650-3040-OB	21	662-1950-OB	22				
		650-3040-OB	21	662-1950-OB	22				
		650-3040-PC	21	662-1960-BC	22				
		650-3040-PC	21	662-1960-BN	22				
		650-3060-BC	21	662-1960-BO	22				
				662-1960-CW	22				
				662-1960-OB	22				



A series of horizontal lines for writing, starting below the header and extending down the page.

